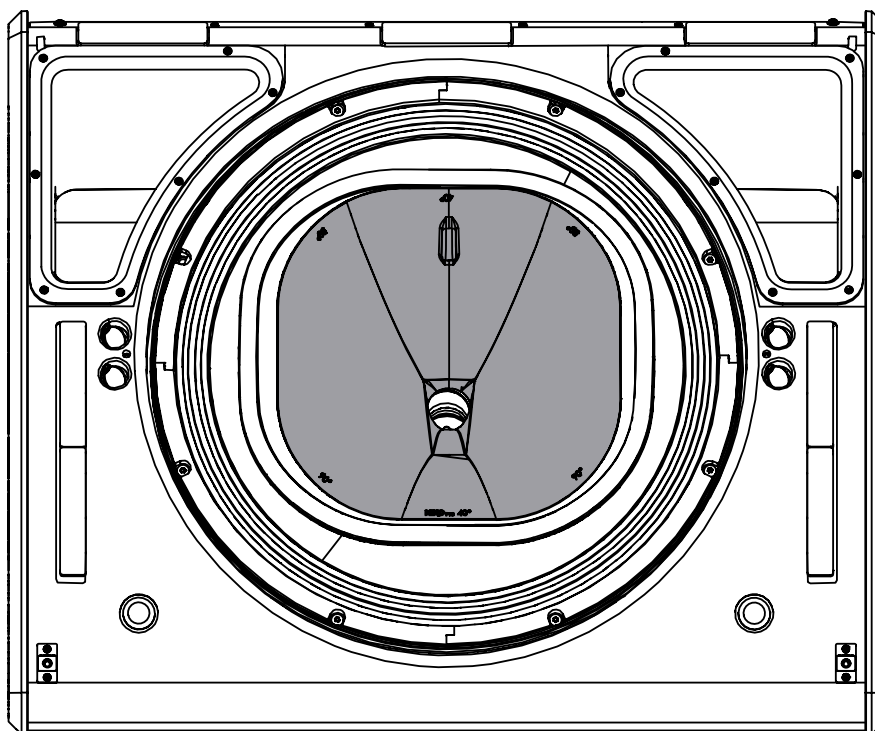
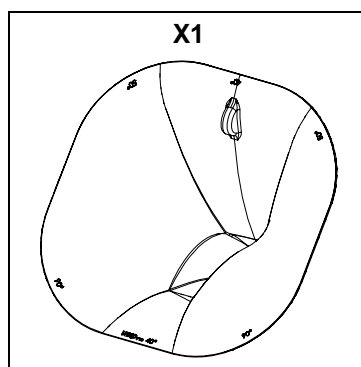


Flange dispersion adapter « PS » for P18

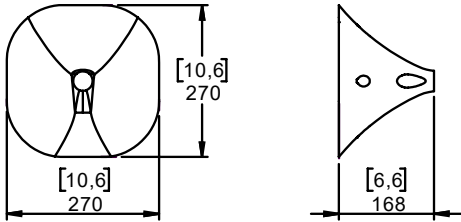


Contents:



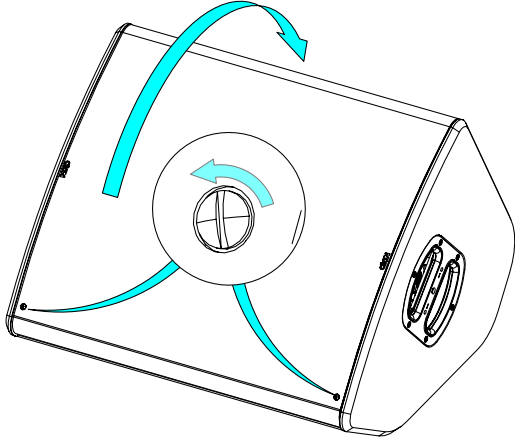
Weight: 1.6 kg / 3.6 lb

Dimensions:

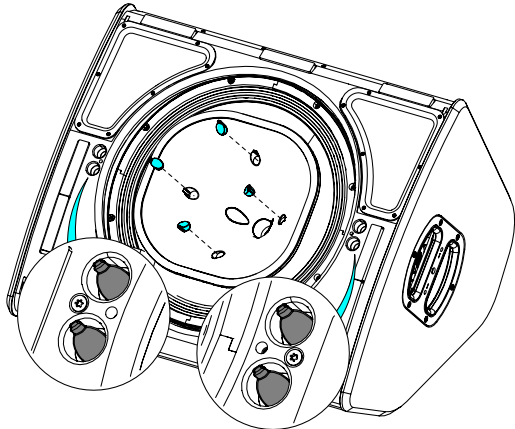


Use:

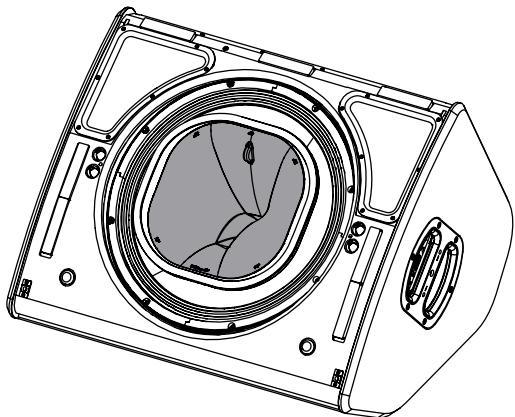
P18 Unlock the 2 quarter-turn screws, Remove the grille.



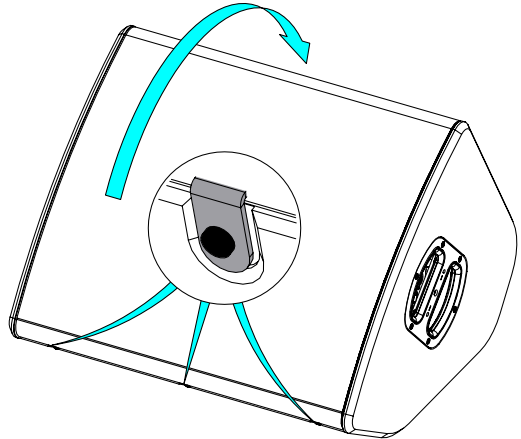
Remove the 4 HF Cap and store them.



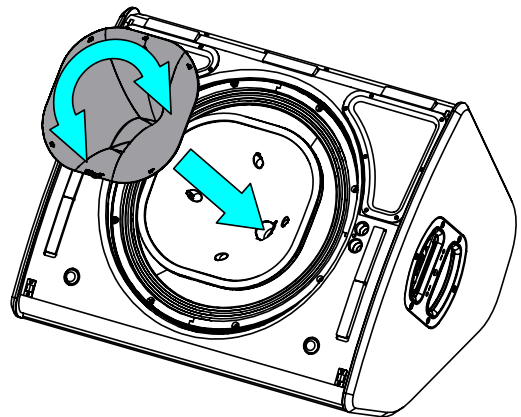
Magnets keep the horn in place.



P18-I&TIS Loosen the 3 screws. Remove the grille.



Place the flange, if necessary, rotate it.



Replacing the grille

When replacing the grille, ensure it is well positioned in the top blade.

- NEXO cannot accept responsibility for accidents caused by any factor other than defects in this product itself.
- Please check the web site nexo-sa.com for the latest update.

NEXO

nexo-sa.com
ZA du Pre de la Dame Jeanne
60128 PLAILLY - France

- Read this document before using.
- Keep this document.
- Observe all warnings and cautions.

