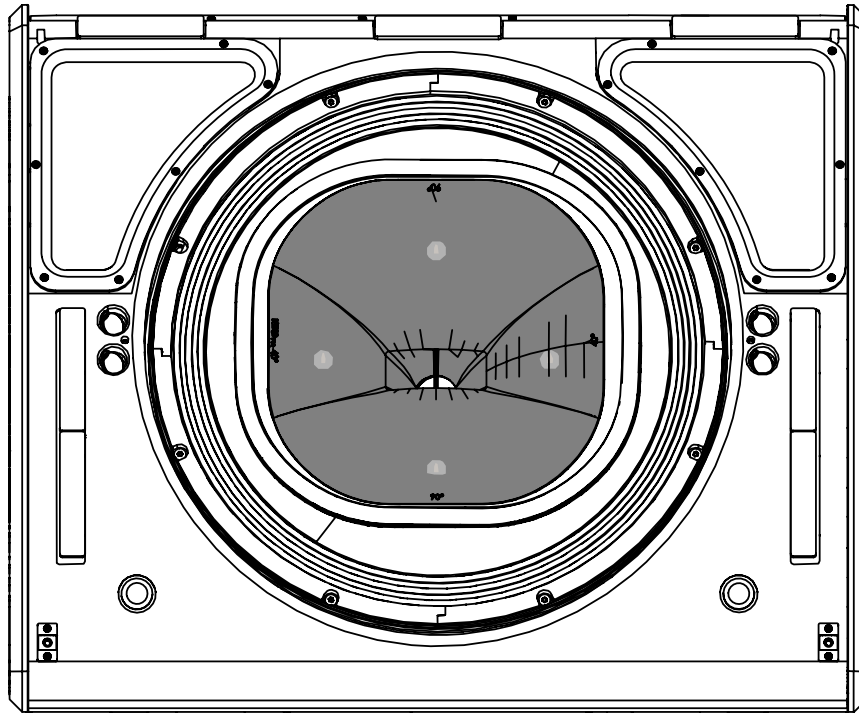
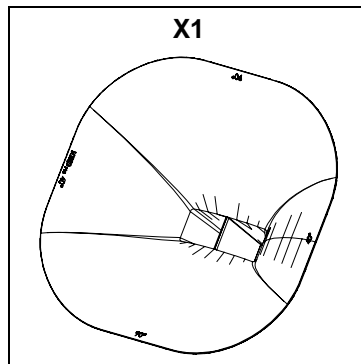


# Flange dispersion adapter 90°- 40° for P18

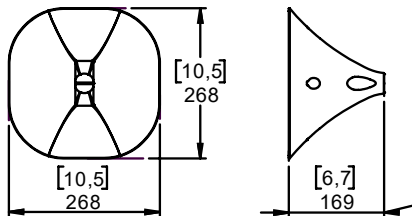


**Contents:**



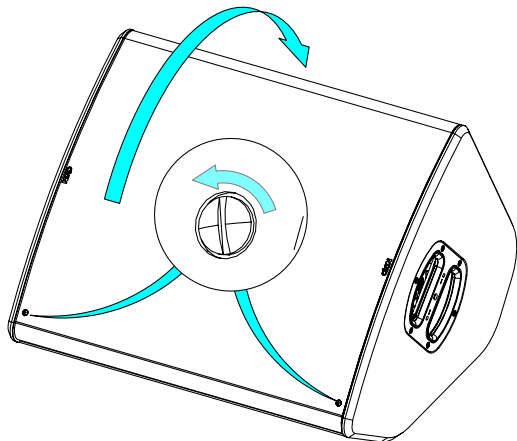
**Weight: 1.8 kg / 4 lb**

**Dimensions:**

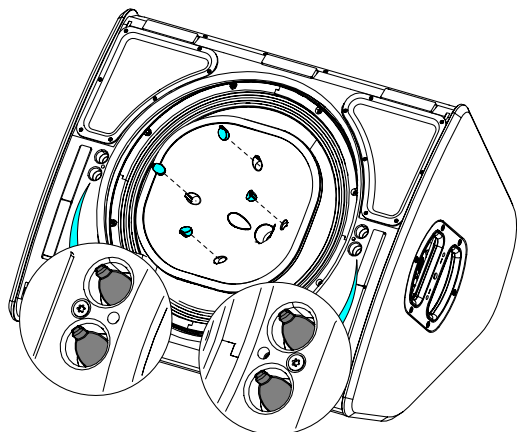


**Use:**

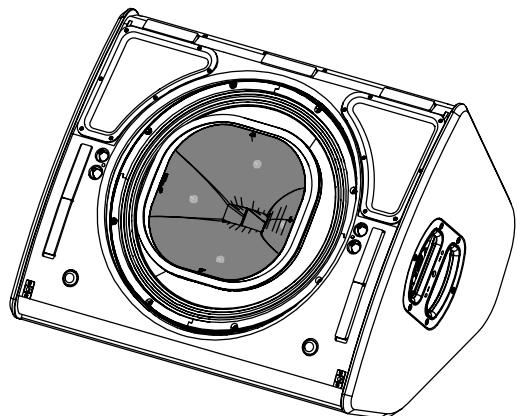
**P18** Unlock the 2 quarter-turn screws, Remove the grille.



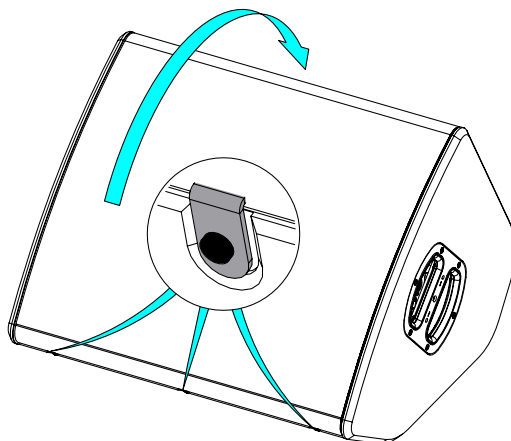
Remove the 4 HF Cap and store them.



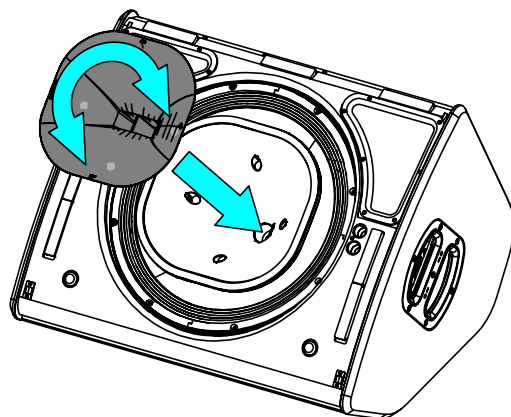
Magnets keep the horn in place.



**P18-I&TIS** Loosen the 3 screws. Remove the grille.



Place the flange, if necessary, rotate it.



Replacing the grille

When replacing the grille, ensure it is well positioned in the top blade.

- NEXO cannot accept responsibility for accidents caused by any factor other than defects in this product itself.
- Please check the web site [nexo-sa.com](http://nexo-sa.com) for the latest update.