

**PNU-P15FLGPS**

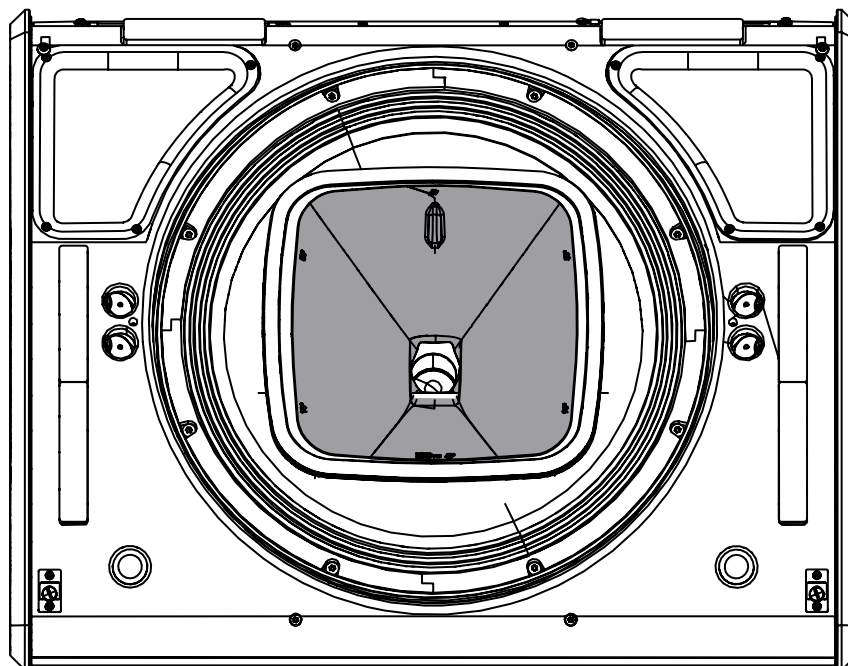
(PNT-P15FLGPS)

DP6329 - 01 - DI

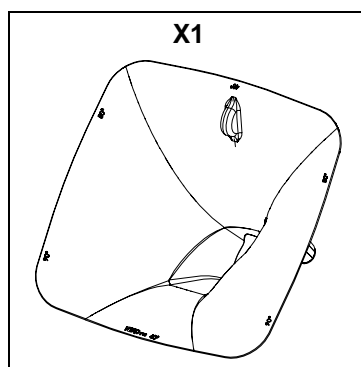
**NEXO**

**P15**

## Flange dispersion adapter « PS » for P15



### Contents:



**Weight: 1.1 kg / 2.4 lb**

**NEXO**

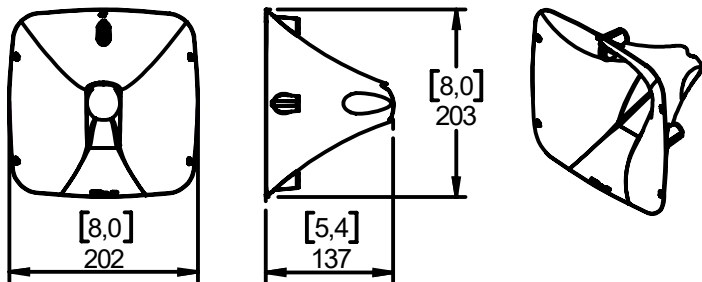
nexo-sa.com

ZA du Pre de la Dame Jeanne  
60128 PLAILLY - France

- Read this document before using.
- Keep this document.
- Observe all warnings and cautions.



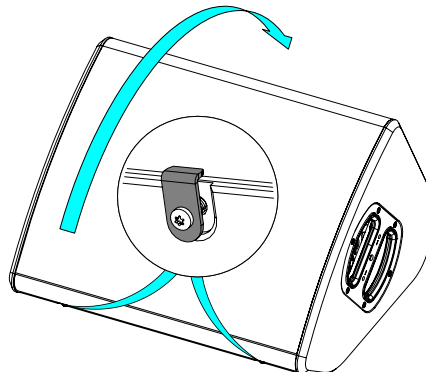
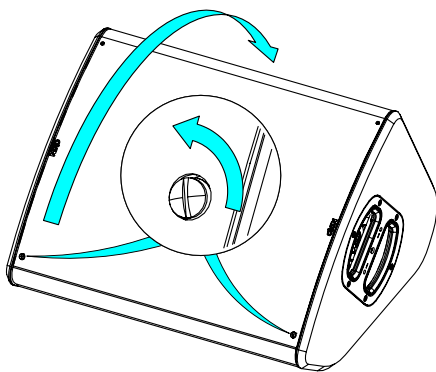
**Dimensions:**



**Use:**

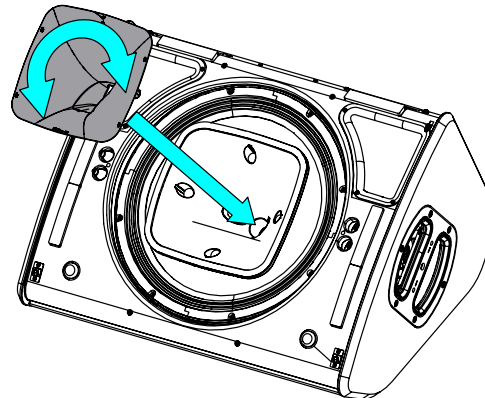
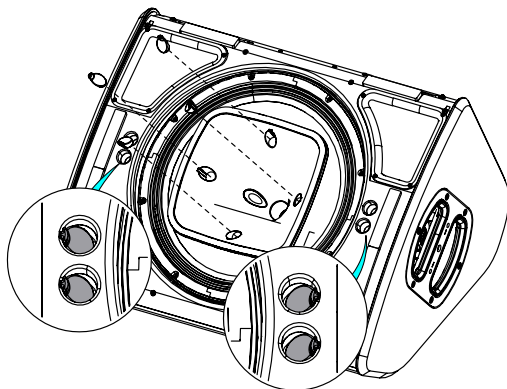
**P15** Unlock the 2 quarter-turn screws, Remove the grille.

**P15-TIS** Loosen the 2 screws. Remove the grille.



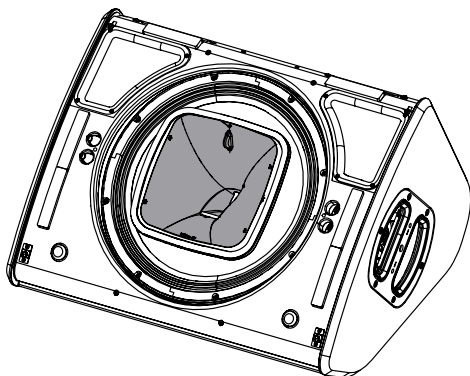
Remove the 4 HF Cap and store them.

Place the flange, if necessary, rotate it.



Magnets keep the horn in place.

Replacing the grille



When replacing the grille, ensure it is well positioned in the top blade.

- NEXO cannot accept responsibility for accidents caused by any factor other than defects in this product itself.
- Please check the web site [nexo-sa.com](http://nexo-sa.com) for the latest update.

**NEXO**

nexo-sa.com  
ZA du Pre de la Dame Jeanne  
60128 PLAILLY - France

- Read this document before using.
- Keep this document.
- Observe all warnings and cautions.

