

PNU-P15FLG9040

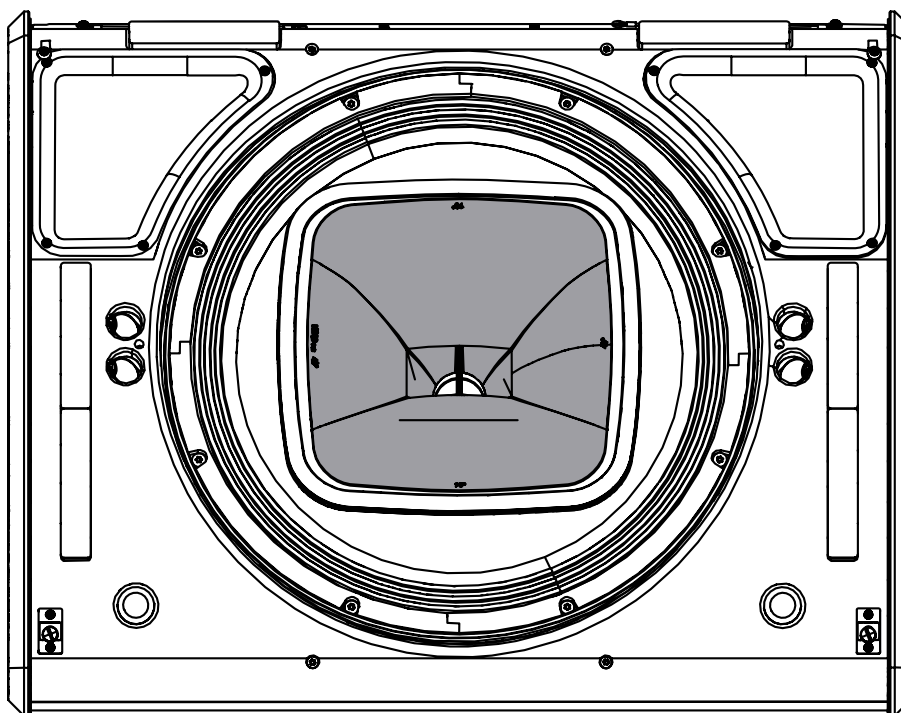
(PNT-P15FLG9040)

DP6326 - 01 - DI

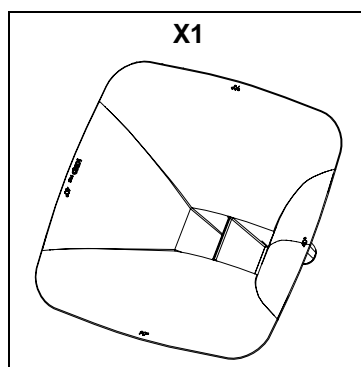
NEXO

P15

Flange dispersion adapter 90°-40° for P15



Contents:



Weight: 1.1 kg / 2.4 lb

NEXO

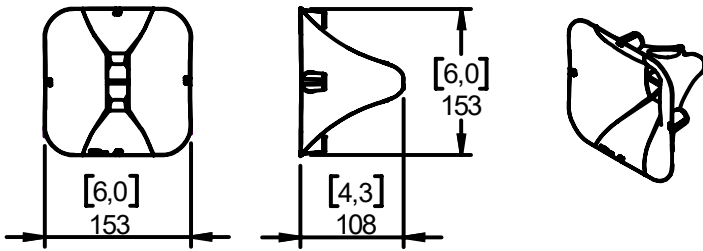
nexo-sa.com

ZA du Pre de la Dame Jeanne
60128 PLAILLY - France

- Read this document before using.
- Keep this document.
- Observe all warnings and cautions.

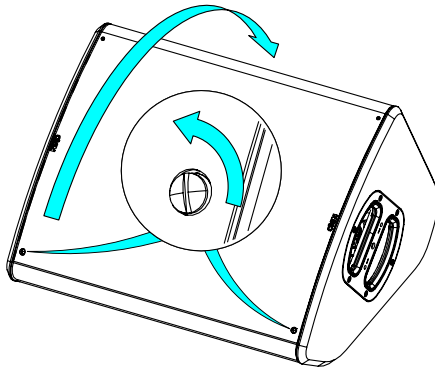


Dimensions:

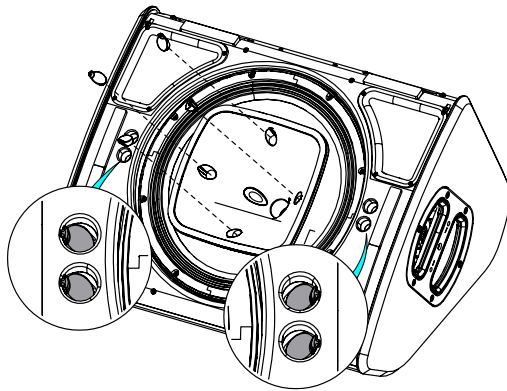


Use:

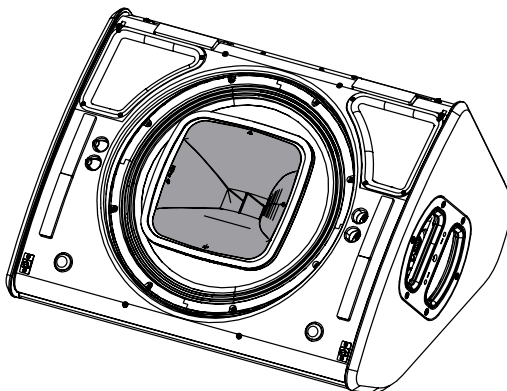
P15 Unlock the 2 quarter-turn screws, Remove the grille.



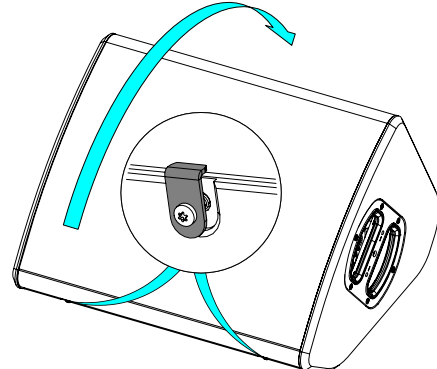
Remove the 4 HF Cap and store them.



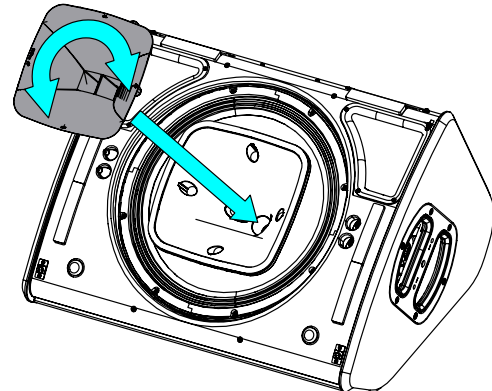
Magnets keep the horn in place.



P15-TIS Loosen the 2 screws. Remove the grille.



Place the flange, if necessary, rotate it.



Replacing the grille

When replacing the grille, ensure it is well positioned in the top blade.

- NEXO cannot accept responsibility for accidents caused by any factor other than defects in this product itself.
- Please check the web site nexo-sa.com for the latest update.