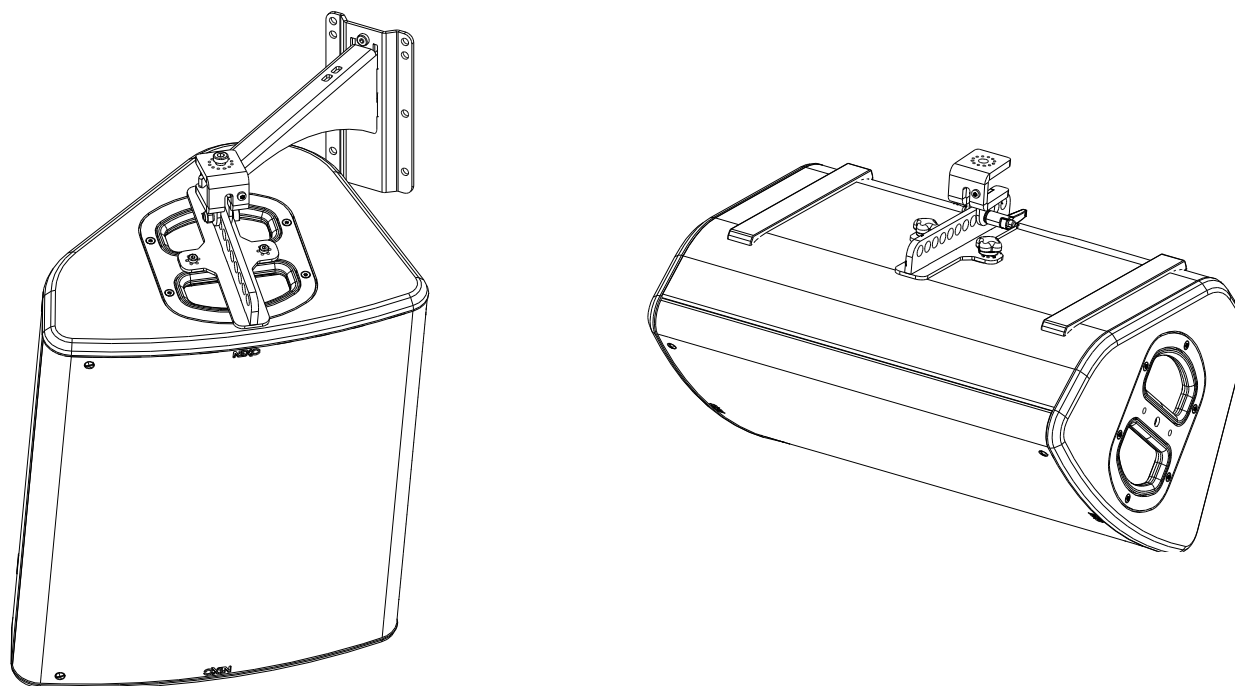
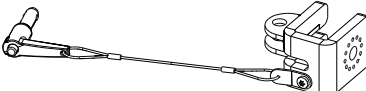
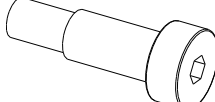



Wallmount adapter for PLUS serie



Contents:

 <p>X1</p>	 <p>X1</p>	 <p>X1</p>
---	---	---

Weight: 0.5 kg / 1.1 lb

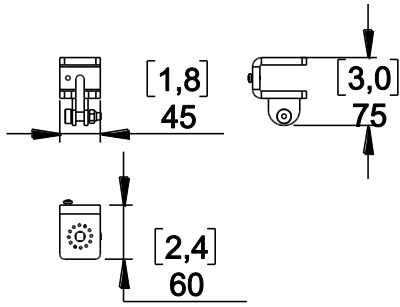


nexo-sa.com
ZA du Pre de la Dame Jeanne
60128 PLAILLY - France

- Read this document before using.
- Keep this document.
- Observe all warnings and cautions.



Dimensions:



Assembly:

With Quick Trigger Hook (fixing M10)	With PNT-BUMP (Touring)	With PNT-BUMP (fixed installation)
<p>With PNI-WMxx (fixed installation)</p>		

SECURE ASSEMBLY WITH SECONDARY SAFETY STEEL

- NEXO cannot accept responsibility for accidents caused by any factor other than defects in this product itself.
- Please check the web site nexo-sa.com for the latest update.



nexo-sa.com
 ZA du Pre de la Dame Jeanne
 60128 PLAILLY - France

- Read this document before using.
- Keep this document.
- Observe all warnings and cautions.

