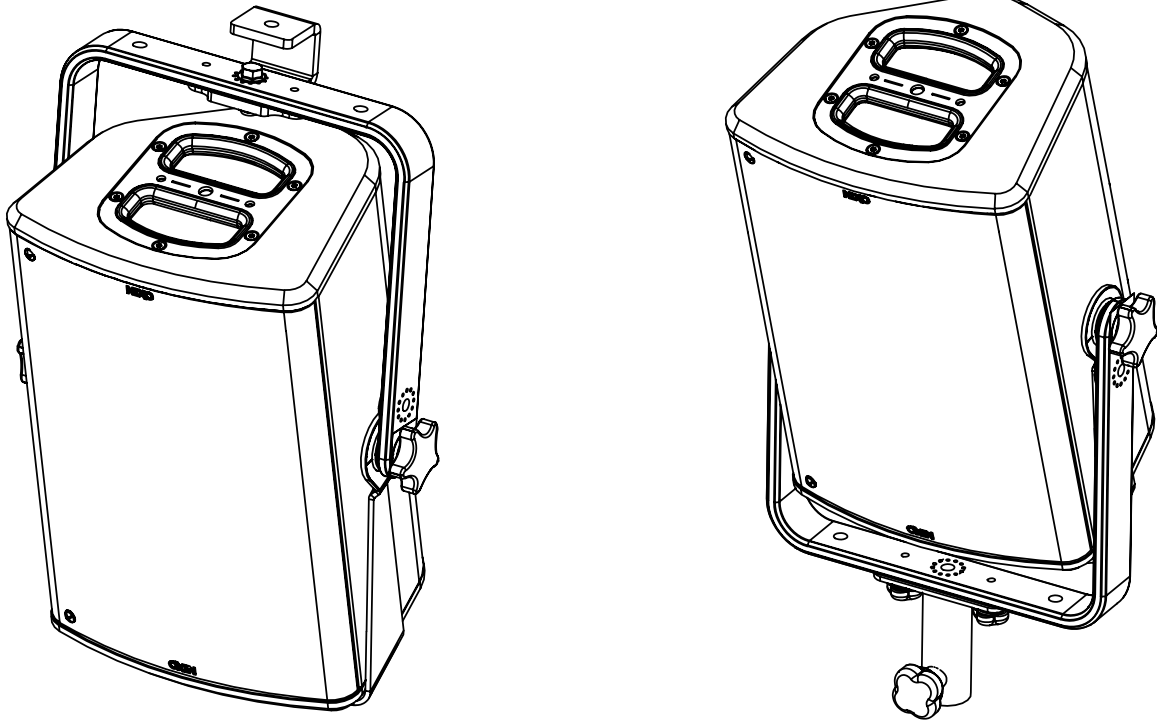
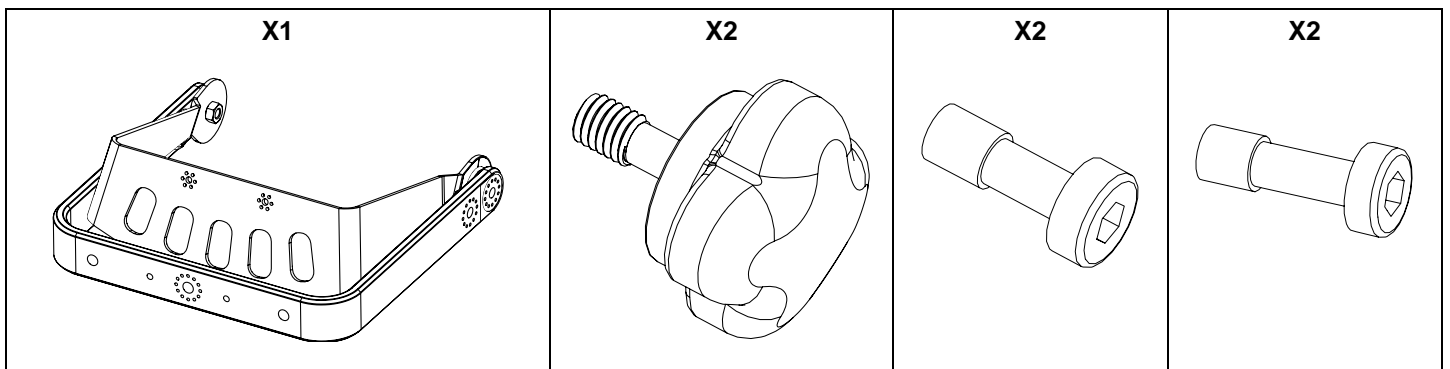


## Vertical cradle for P8

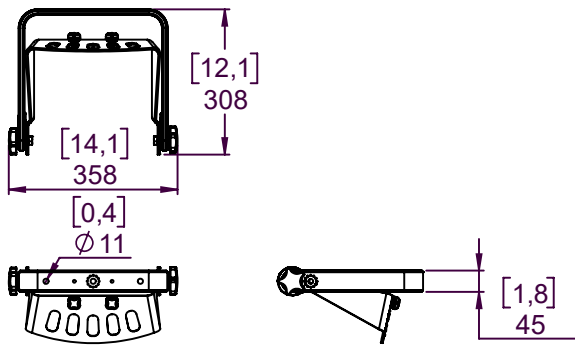


### Contents:



Weight: 2.9 kg / 6.4 lb

**Dimensions:**



**Use:**

<p>Place VBRK8 on P8, use only fasteners provided (thread lock coated screws for fixed installation). Tight properly.</p>	<p>Adjust the P8 and tight properly on the sides, use only fasteners provided (thread lock coated screws for fixed installation).</p>

Read instructions to use with CLADAPT or PLADAPT

- NEXO cannot accept responsibility for accidents caused by any factor other than defects in this product itself.
- Please check the web site [nexo-sa.com](http://nexo-sa.com) for the latest update.

**NEXO**

nexo-sa.com  
 ZA du Pre de la Dame Jeanne  
 60128 PLAILLY - France

- Read this document before using.
- Keep this document.
- Observe all warnings and cautions.

