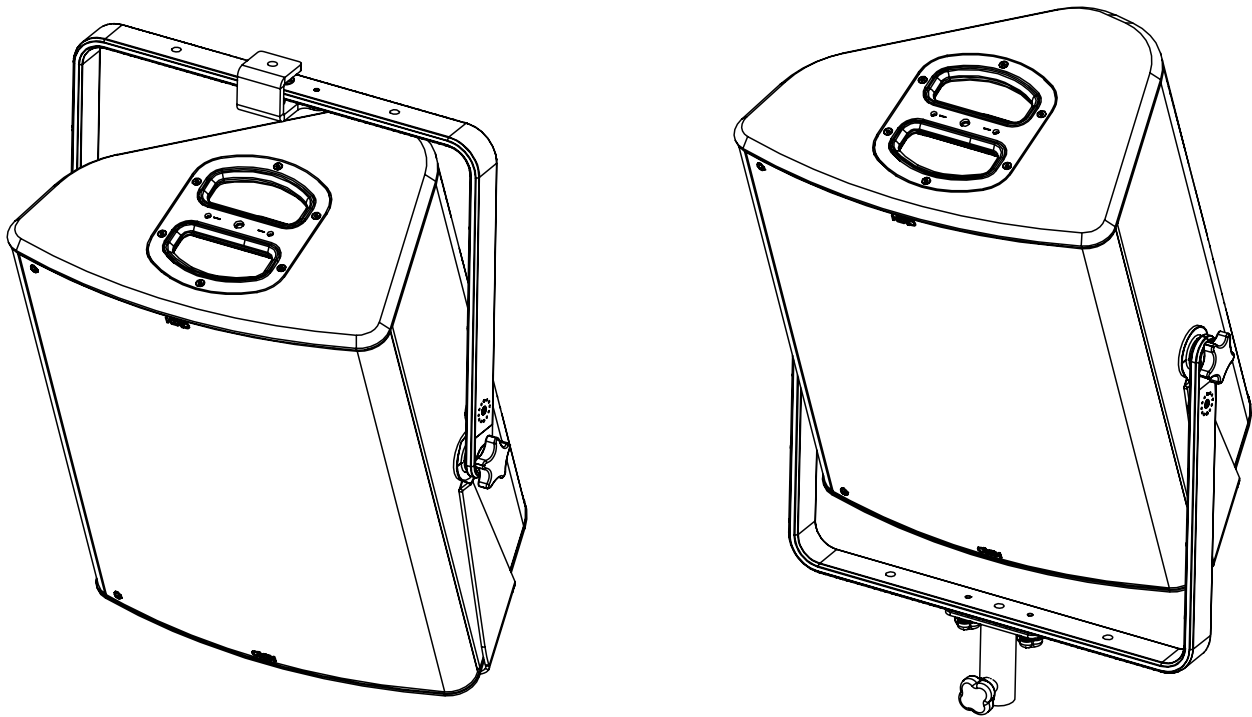


Vertical cradle for P15



Contents:

X1	X2 (M6)	X2 (M6)	X2(M10)	X2 (M10)

Weight: 4.6 kg / 10.2 lb

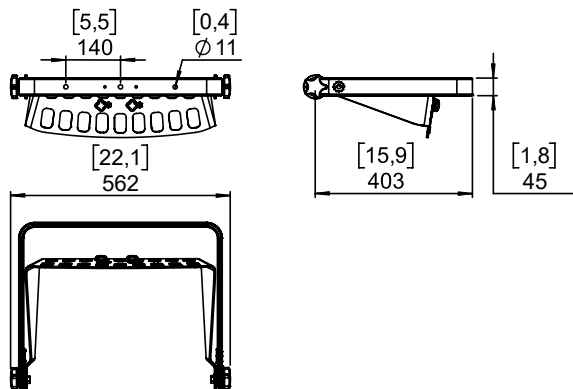


nexo-sa.com
ZA du Pre de la Dame Jeanne
60128 PLAILLY - France

- Read this document before using.
- Keep this document.
- Observe all warnings and cautions.



Dimensions:



Please, select screws and mounting location supporting 4 times the system weight.

Use:

<p>Place VBRK15 on P15, use only fasteners provided (thread lock coated screws for fixed installation). Tight properly.</p>	<p>Adjust the P15 and tight properly on the sides, use only fasteners provided (thread lock coated screws for fixed installation).</p>

Read instructions to use with CLADAPT or PLADAPT

- NEXO cannot accept responsibility for accidents caused by any factor other than defects in this product itself.
- Please check the web site nexo-sa.com for the latest update.



nexo-sa.com
 ZA du Pre de la Dame Jeanne
 60128 PLAILLY - France

- Read this document before using.
- Keep this document.
- Observe all warnings and cautions.

