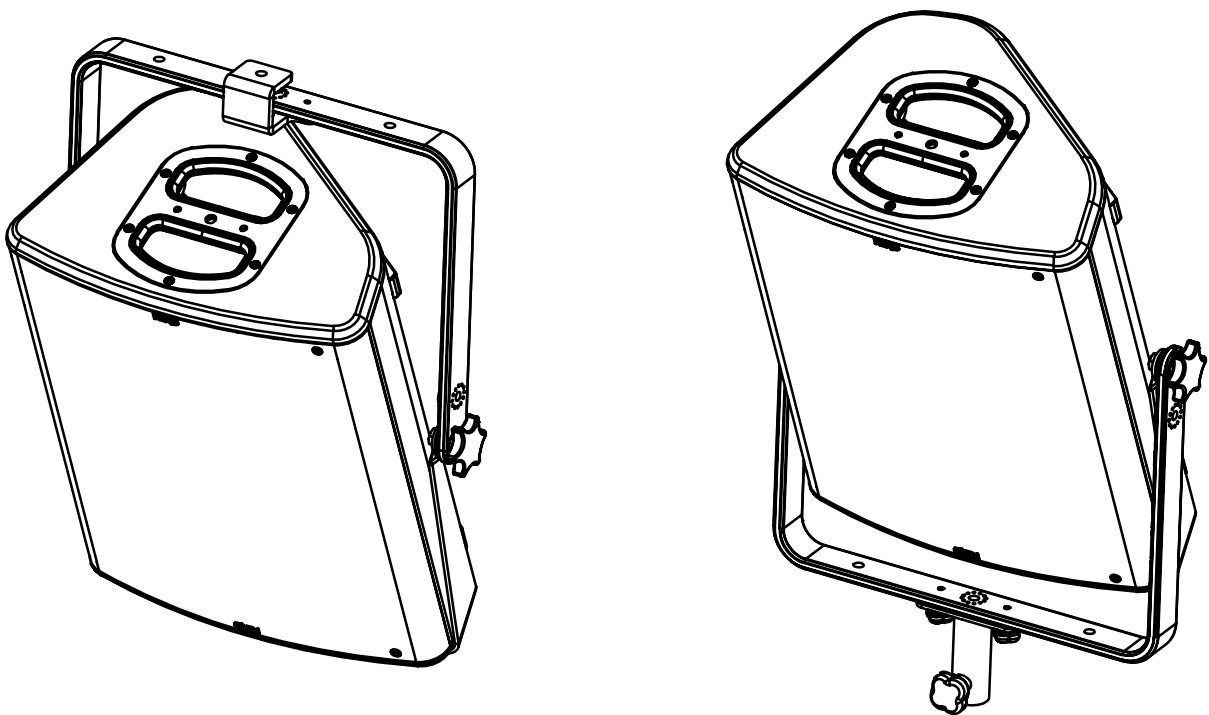


## Vertical cradle for P12



### Contents:

X1	X2 (M6)	X2 (M6)	X2(M10)	X2 (M10)

Weight: 3.7 kg / 8.2 lb

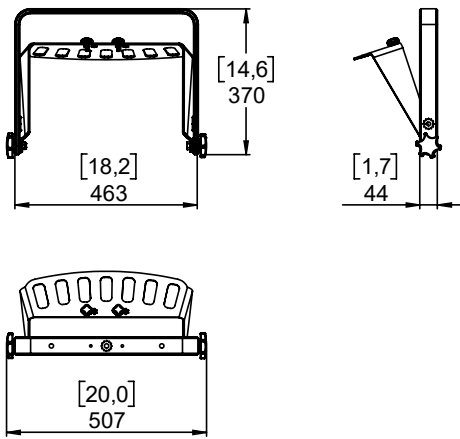


nexo-sa.com  
ZA du Pre de la Dame Jeanne  
60128 PLAILLY - France

- Read this document before using.
- Keep this document.
- Observe all warnings and cautions.



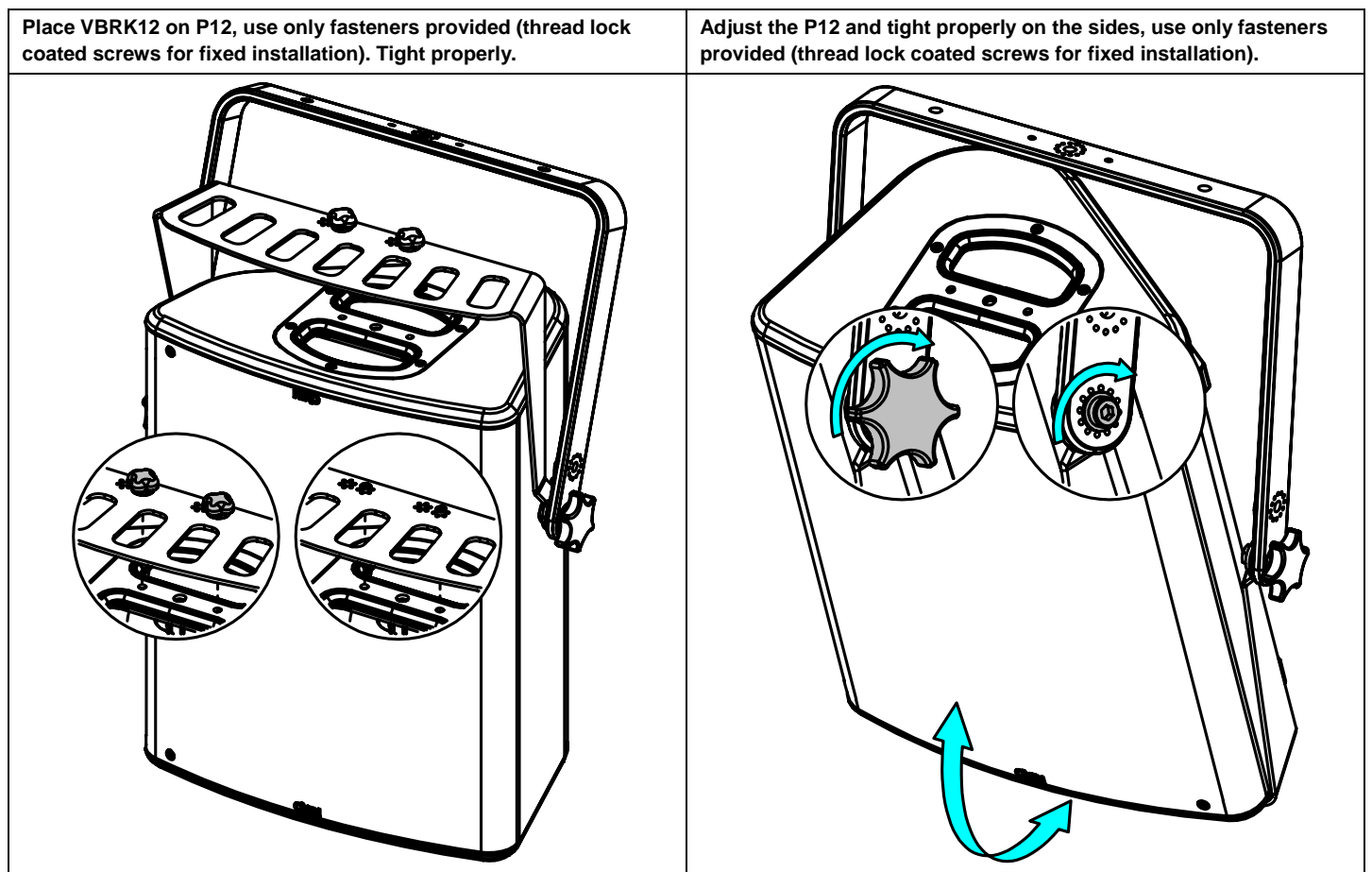
**Dimensions:**



Fixing holes diameter 11mm – 0.433 inch

**Please, select screws and mounting location supporting 4 times the system weight.**

**Use:**



Read instructions to use with CLADAPT or PLADAPT

- NEXO cannot accept responsibility for accidents caused by any factor other than defects in this product itself.
- Please check the web site [nexo-sa.com](http://nexo-sa.com) for the latest update.