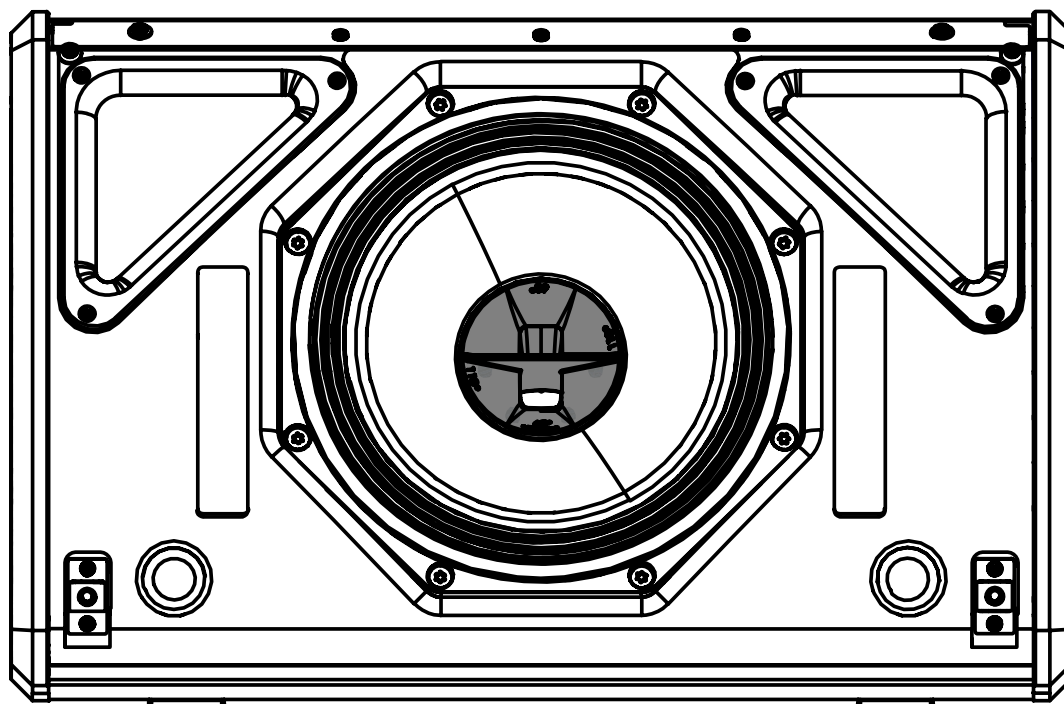
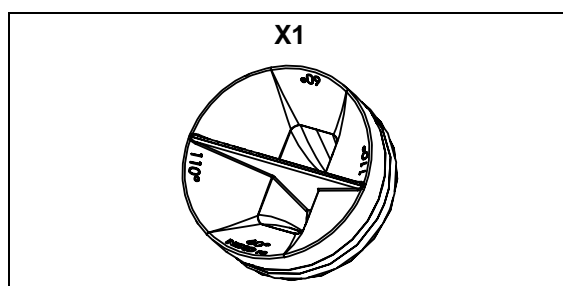


Flange dispersion adapter 110° - 60° for P8



Contents:



Weight: 0.1 kg / 0.2 lb

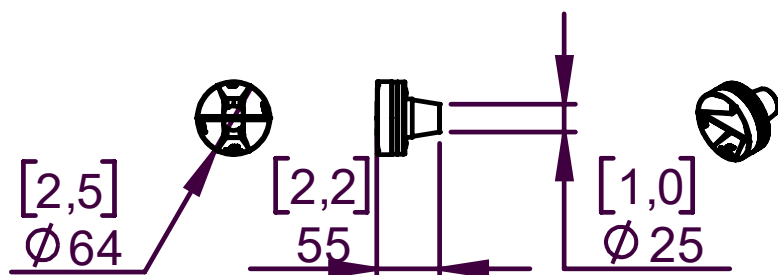


nexo-sa.com
ZA du Pre de la Dame Jeanne
60128 PLAILLY - France

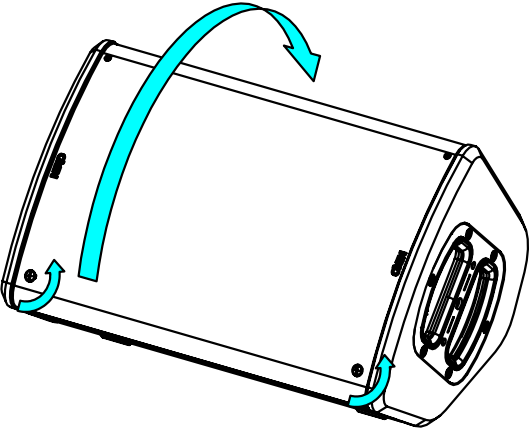
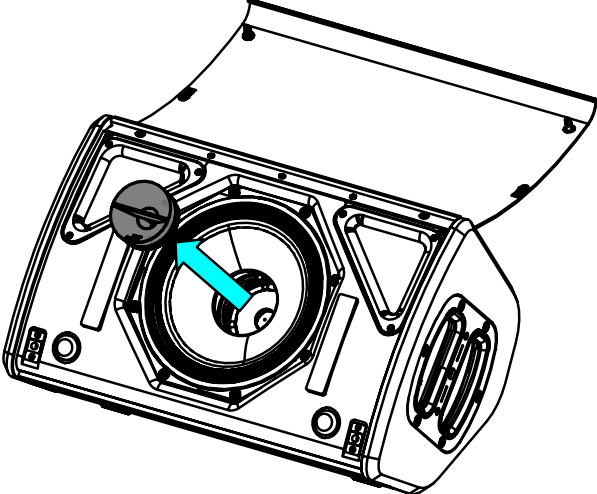
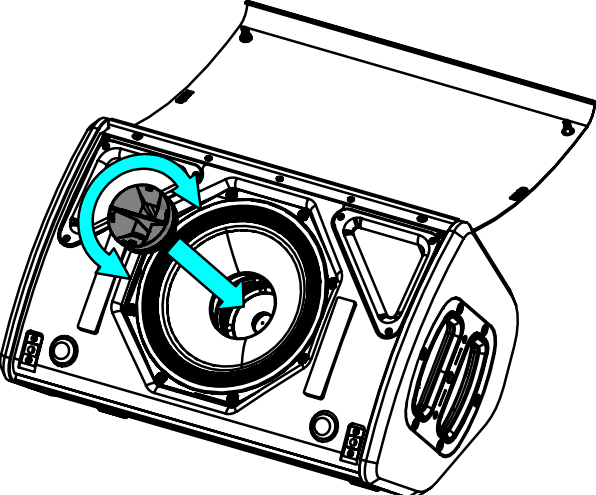
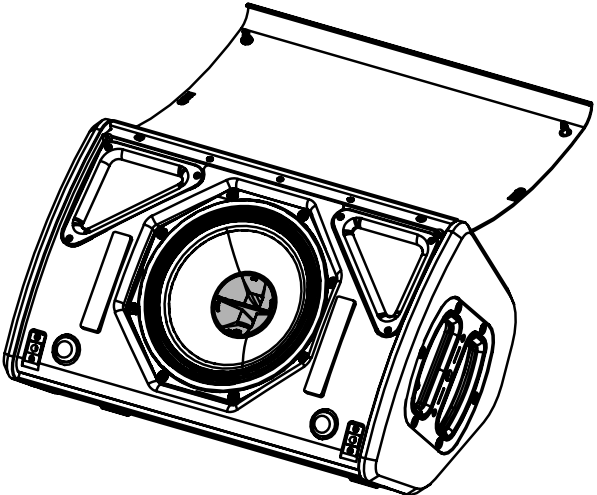
- Read this document before using.
- Keep this document.
- Observe all warnings and cautions.



Dimensions:



Use:

1 Unlock the 2 quarter-turn screws, Remove the grille.	2 Remove the flange to place the PNT-P8FLG11060.
	
3 If it necessary rotate it.	4 Magnets keep the flange in place.
	

- NEXO cannot accept responsibility for accidents caused by any factor other than defects in this product itself.
- Please check the web site nexo-sa.com for the latest update.

NEXO

nexo-sa.com
ZA du Pre de la Dame Jeanne
60128 PLAILLY - France

- Read this document before using.
- Keep this document.
- Observe all warnings and cautions.

