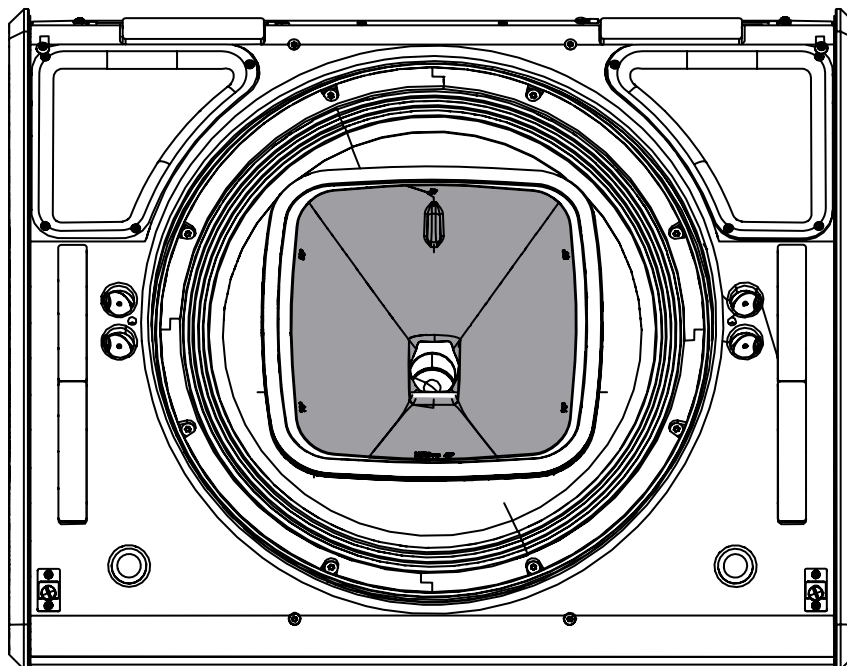
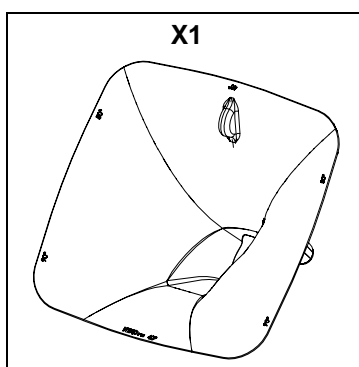


Flange dispersion adapter « PS » for P15



Contents:



Weight: 1.1 kg / 2.4 lb

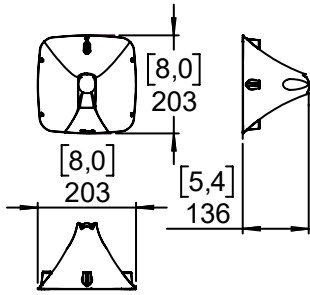


nexo-sa.com
ZA du Pre de la Dame Jeanne
60128 PLAILLY - France

- Read this document before using.
- Keep this document.
- Observe all warnings and cautions.



Dimensions:



Use:

<p>1 P15 Unlock the 2 quarter-turn screws, Remove the grille.</p>	<p>2 P15-TIS Loosen the 2 screws. Remove the grille.</p>
<p>3 Remove the 4 HF Cap and store them.</p>	<p>4 Place the flange, if necessary, rotate it.</p>
<p>5 Magnets keep the horn in place.</p>	<p>6 Replacing the grille</p>
	<p>When replacing the grille, ensure it is well positioned in the top blade.</p>

- NEXO cannot accept responsibility for accidents caused by any factor other than defects in this product itself.
- Please check the web site nexo-sa.com for the latest update.

NEXO

nexo-sa.com
 ZA du Pre de la Dame Jeanne
 60128 PLAILLY - France

- Read this document before using.
- Keep this document.
- Observe all warnings and cautions.

