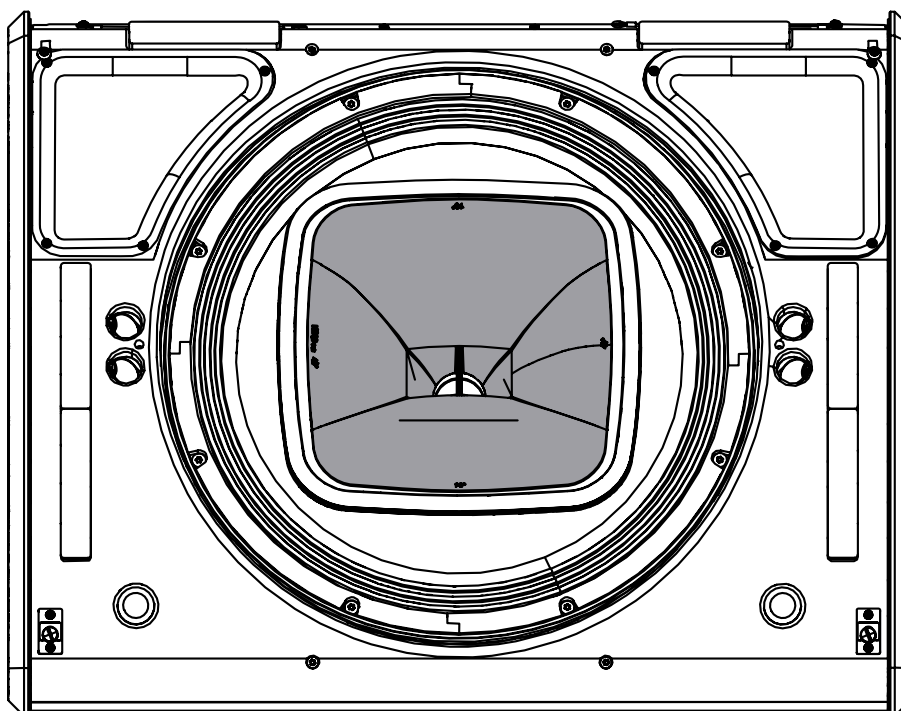
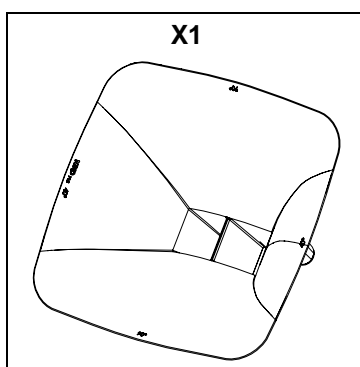


## Flange dispersion adapter 90°-40° for P15



### Contents:



Weight: 1.1 kg / 2.4 lb

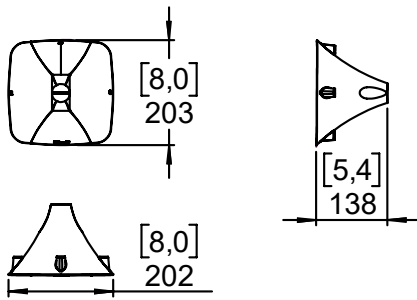


nexo-sa.com  
ZA du Pre de la Dame Jeanne  
60128 PLAILLY - France

- Read this document before using.
- Keep this document.
- Observe all warnings and cautions.



**Dimensions:**



**Use:**

|  |  |
|--|--|
| <p><b>1</b> P15 Unlock the 2 quarter-turn screws, Remove the grille.</p> | <p><b>2</b> P15-TIS Loosen the 2 screws. Remove the grille.</p>                  |
|  |  |
| <p><b>3</b> Remove the 4 HF Cap and store them.</p>                      | <p><b>4</b> Place the flange, if necessary, rotate it.</p>                       |
|  |  |
| <p><b>5</b> Magnets keep the horn in place.</p>                          | <p><b>6</b> Replacing the grille</p>   |
|  | <p>When replacing the grille, ensure it is well positioned in the top blade.</p> |

- NEXO cannot accept responsibility for accidents caused by any factor other than defects in this product itself.
- Please check the web site [nexo-sa.com](http://nexo-sa.com) for the latest update.

**NEXO**

nexo-sa.com  
ZA du Pre de la Dame Jeanne  
60128 PLAILLY - France

- Read this document before using.
- Keep this document.
- Observe all warnings and cautions.

