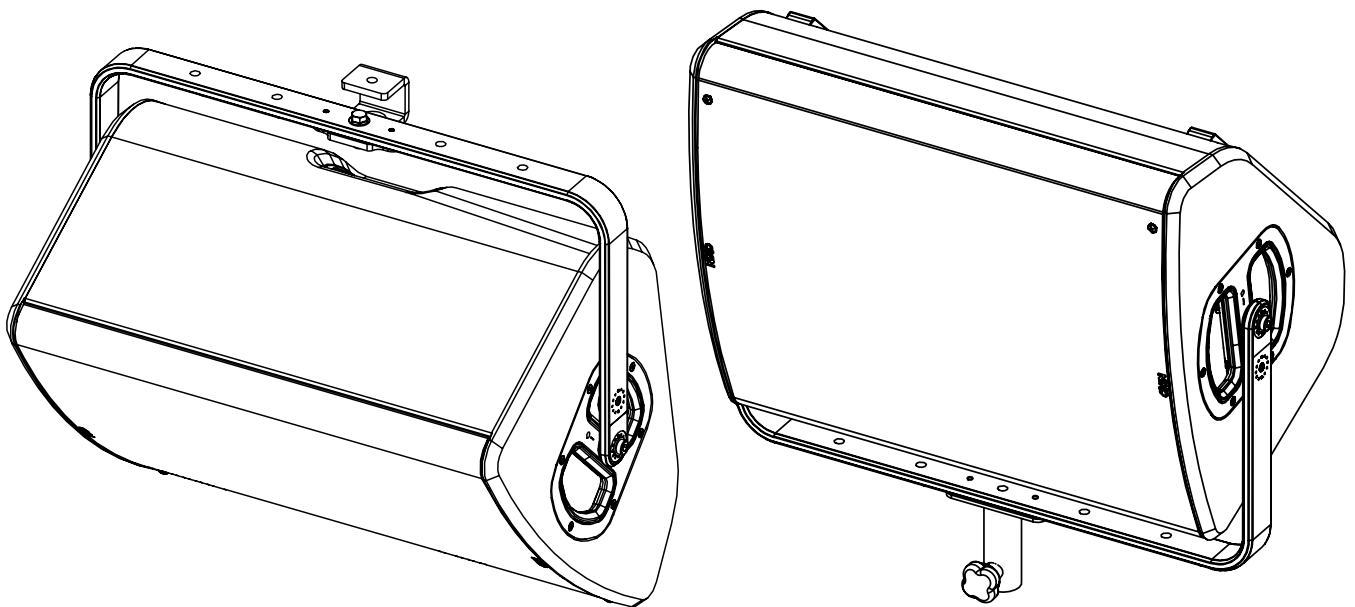
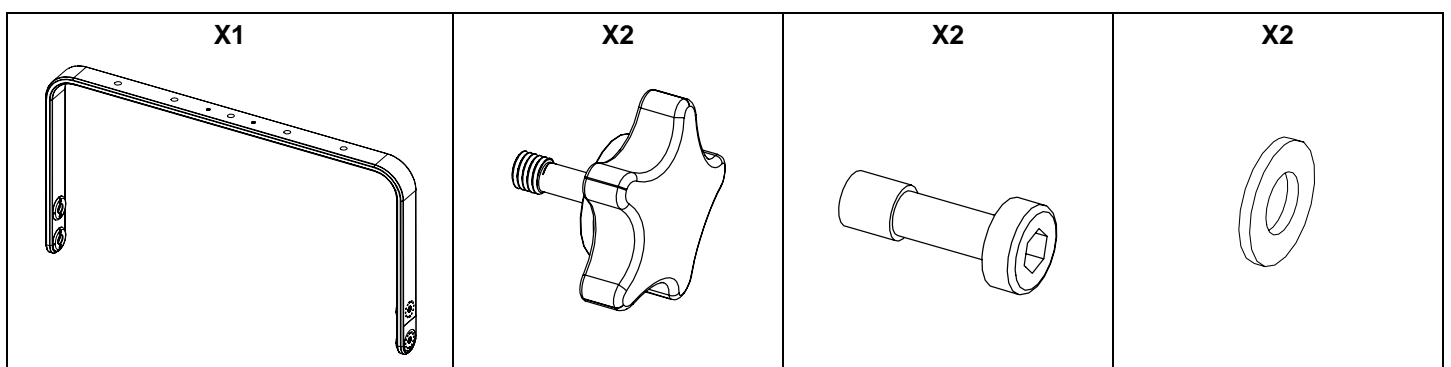


Horizontal cradle for P15

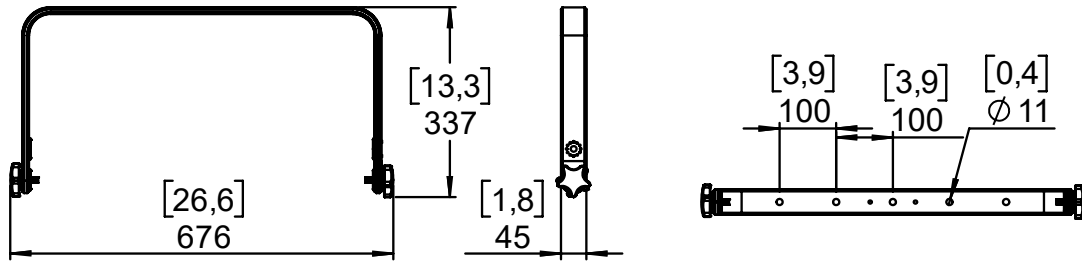


Contents:



Weight: 1.7 kg / 3.8 lb

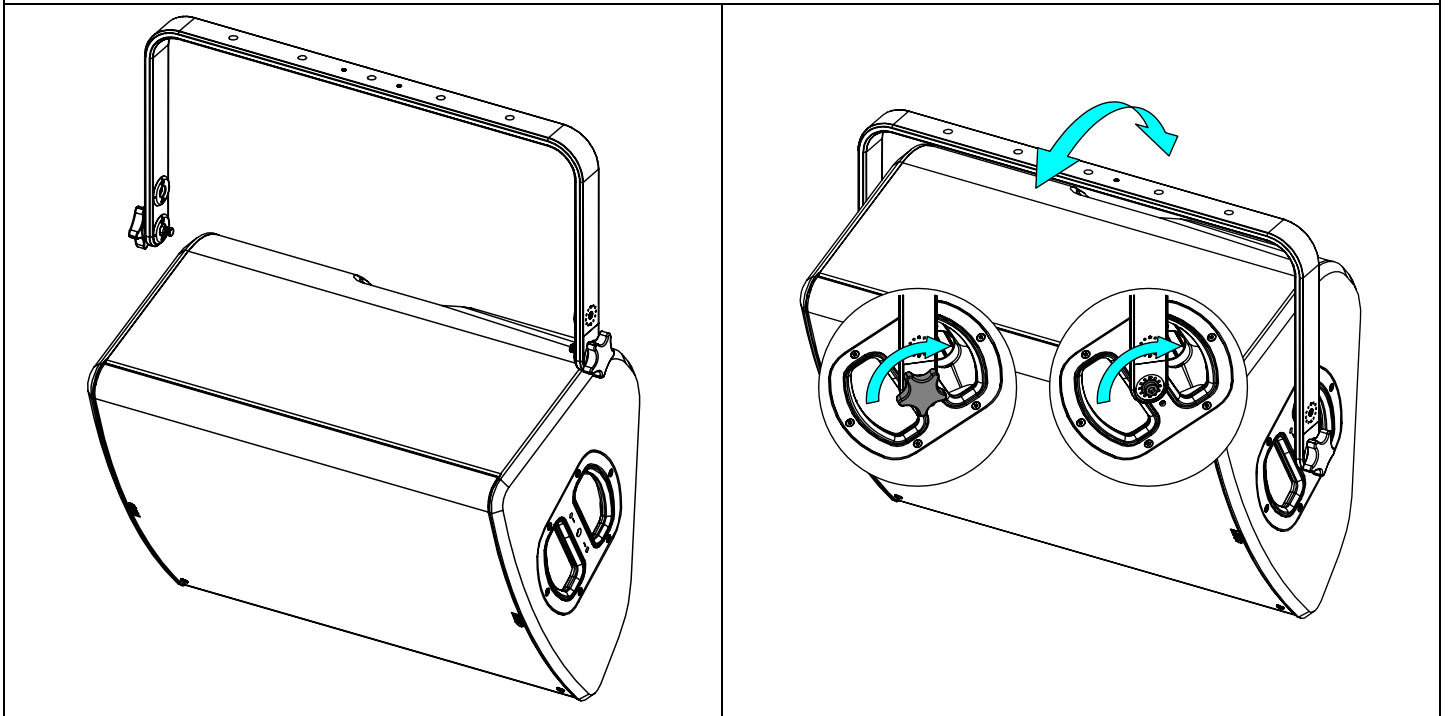
- **Dimensions:**



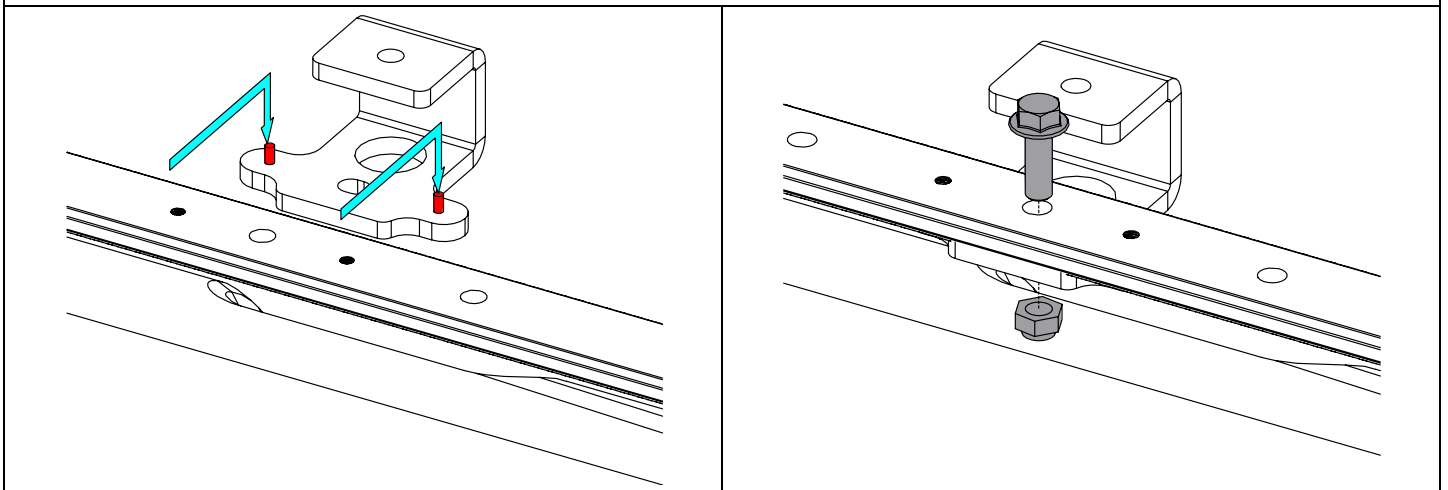
Please, select screws and mounting location supporting 4 times the system weight.

- **Use:**

Place HBRK15 on P15, use only fasteners provided (thread lock coated screws for fixed installation). Tight properly



Place on CLADAPT, use the 2 guides. Tight with the fasteners provided with CLADAPT.



See PLADAPT Product Data Sheet for the use

- NEXO cannot accept responsibility for accidents caused by any factor other than defects in this product itself.
- Please check the web site nexo-sa.com for the latest update.