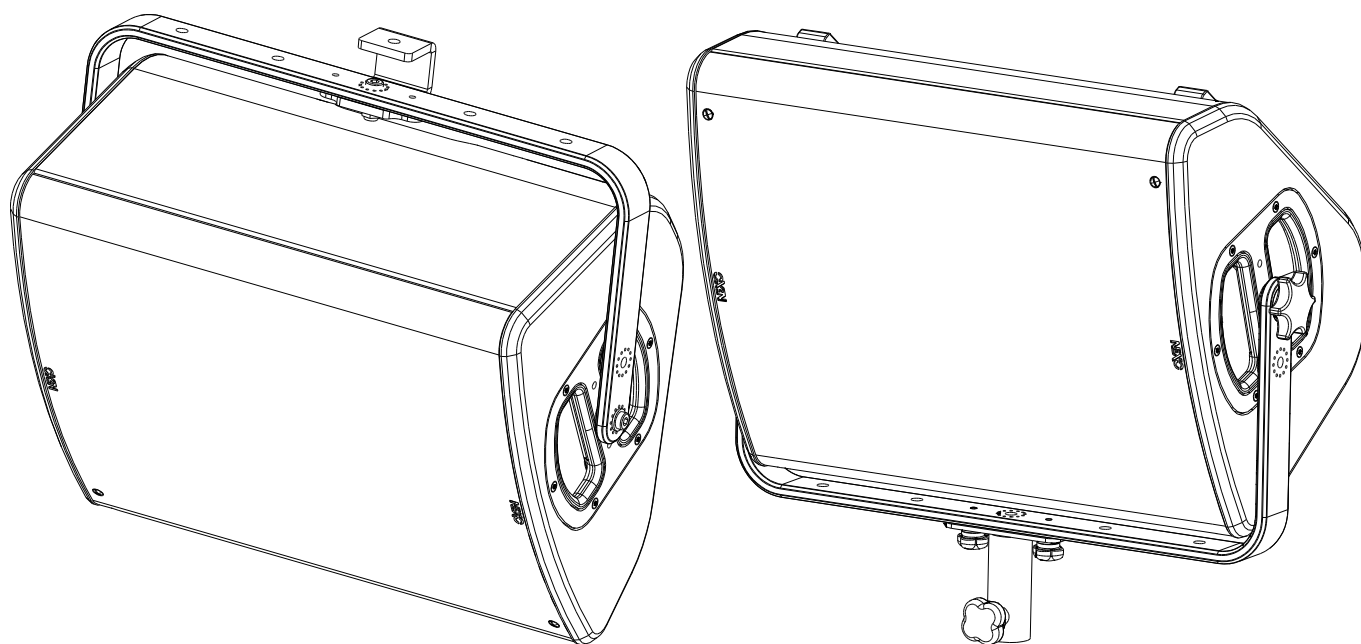


P12 Horizontal cradle



Contents:

<p>X1</p>	<p>X2</p>	<p>X2</p>	<p>X2</p>
-----------	-----------	-----------	-----------

Weight: 1.5 kg / 3.3 lb

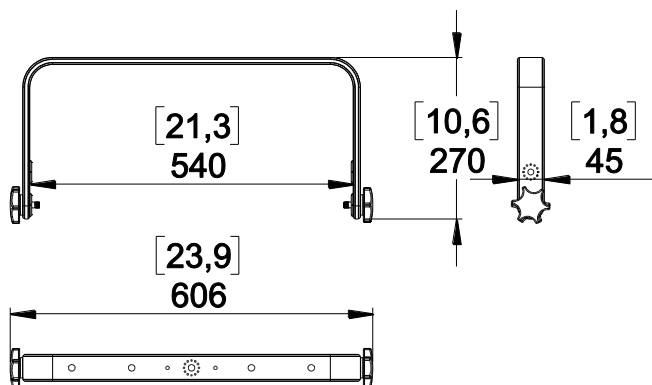


nexo-sa.com
ZA du Pre de la Dame Jeanne
60128 PLAILLY - France

- Read this document before using.
- Keep this document.
- Observe all warnings and cautions.

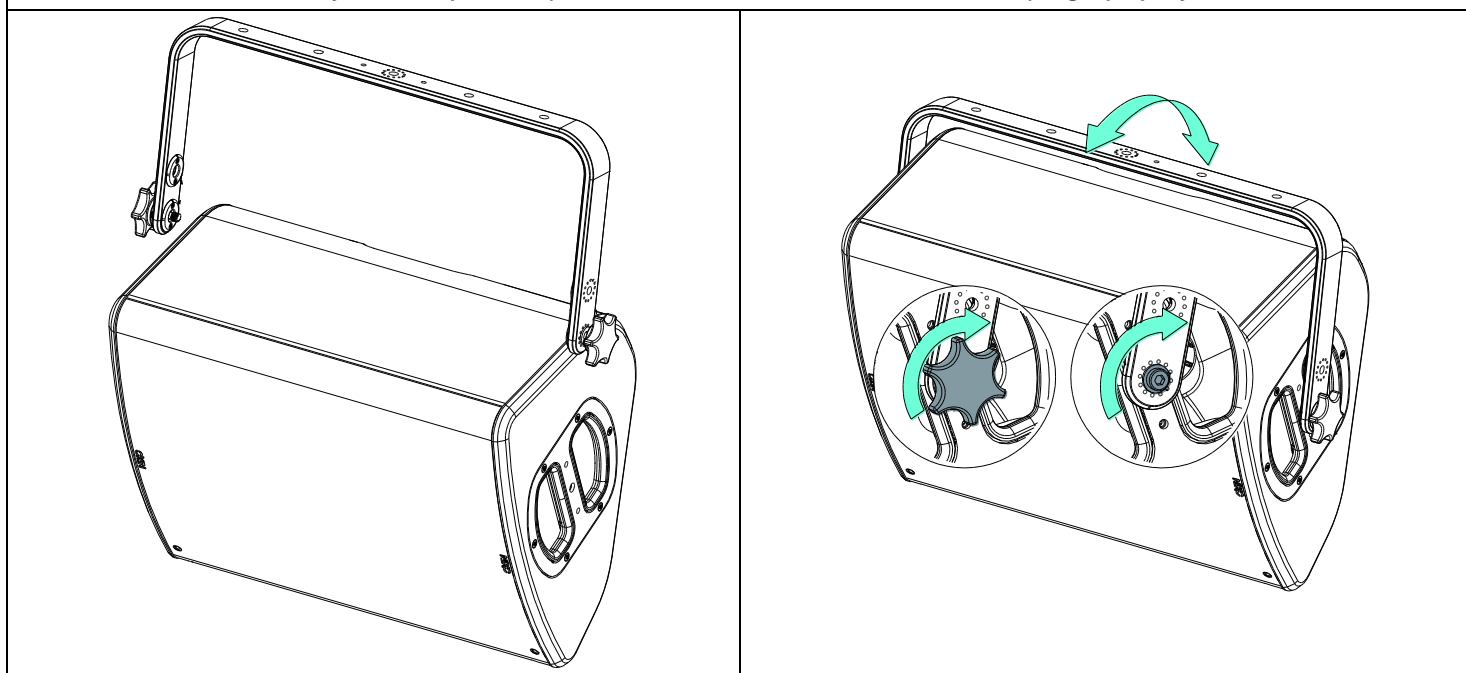


Dimensions:

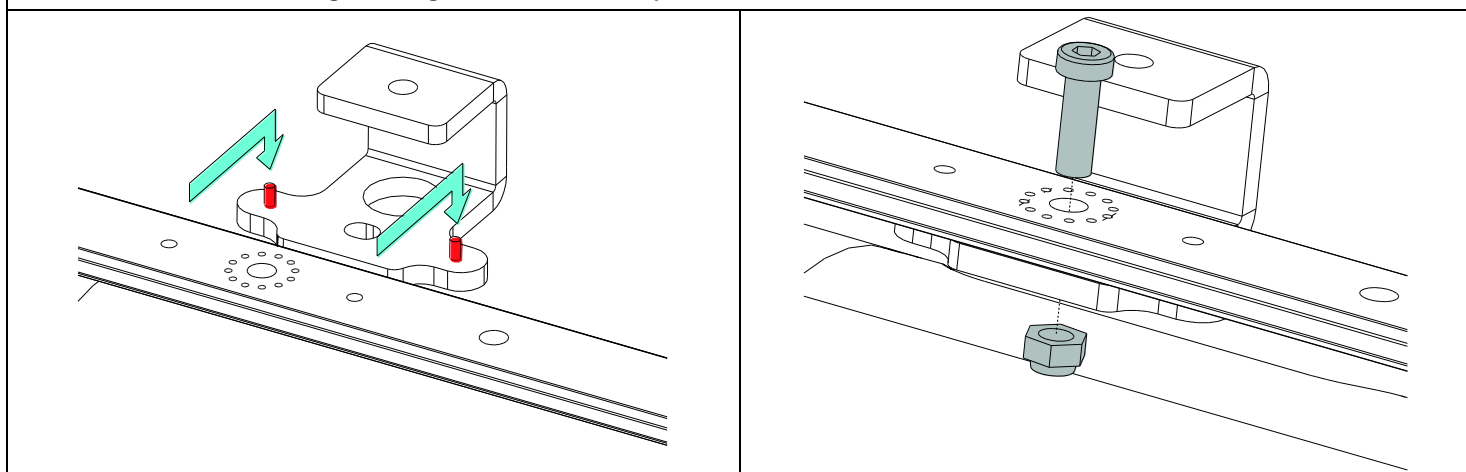


Use:

Place HBRK12 on P12, use only fasteners provided (thread lock coated screws for fixed installation). Tight properly



Place on CLADAPT, use the 2 guides. Tight with the fasteners provided with CLADAPT.



See PLADAPT Product Data Sheet for the use

- NEXO cannot accept responsibility for accidents caused by any factor other than defects in this product itself.
- Please check the web site nexo-sa.com for the latest update.

NEXO

nexo-sa.com

ZA du Pre de la Dame Jeanne
60128 PLAILLY - France

- Read this document before using.
- Keep this document.
- Observe all warnings and cautions.

