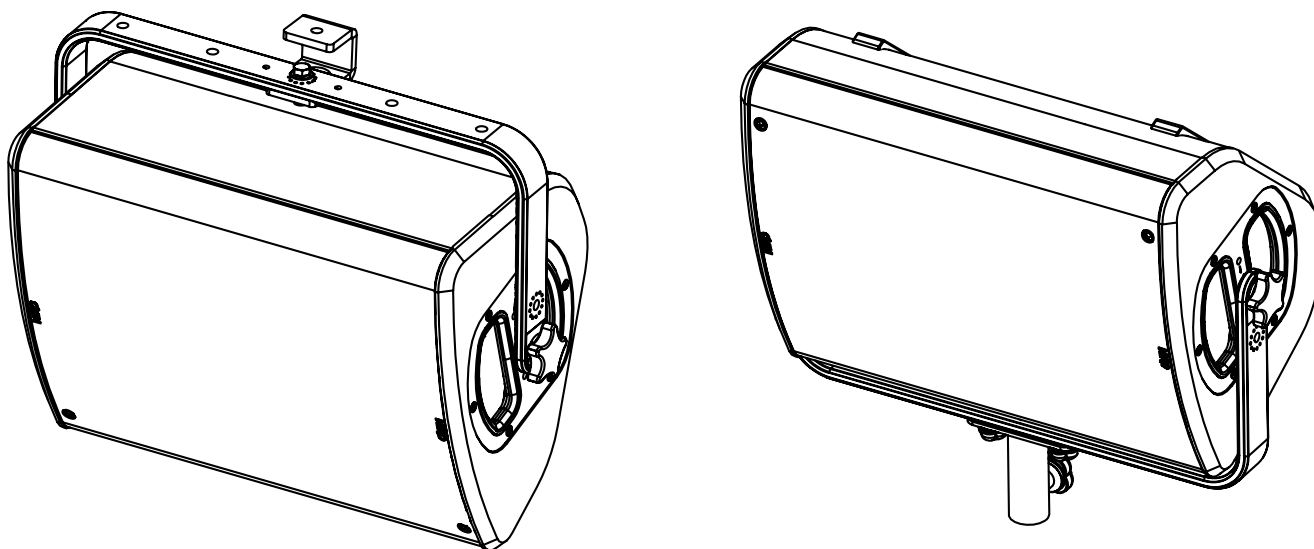
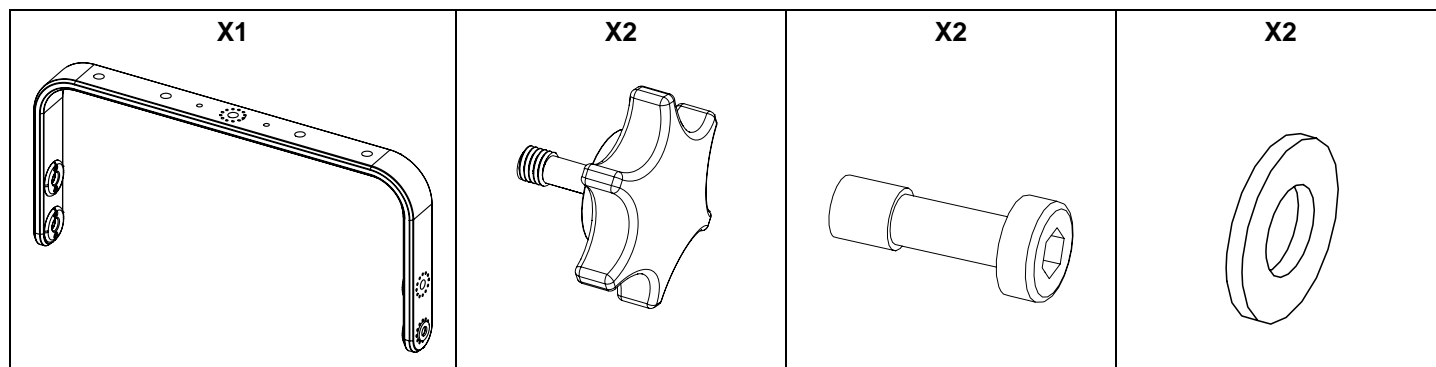


## Horizontal cradle for P10



### Contents:



Weight: 1.4 kg / 3.1 lb

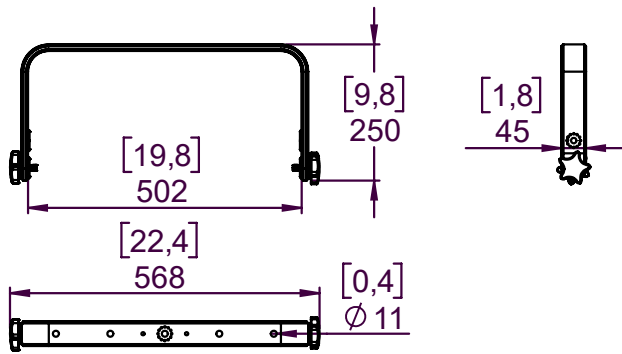


nexo-sa.com  
ZA du Pre de la Dame Jeanne  
60128 PLAILLY - France

- Read this document before using.
- Keep this document.
- Observe all warnings and cautions.

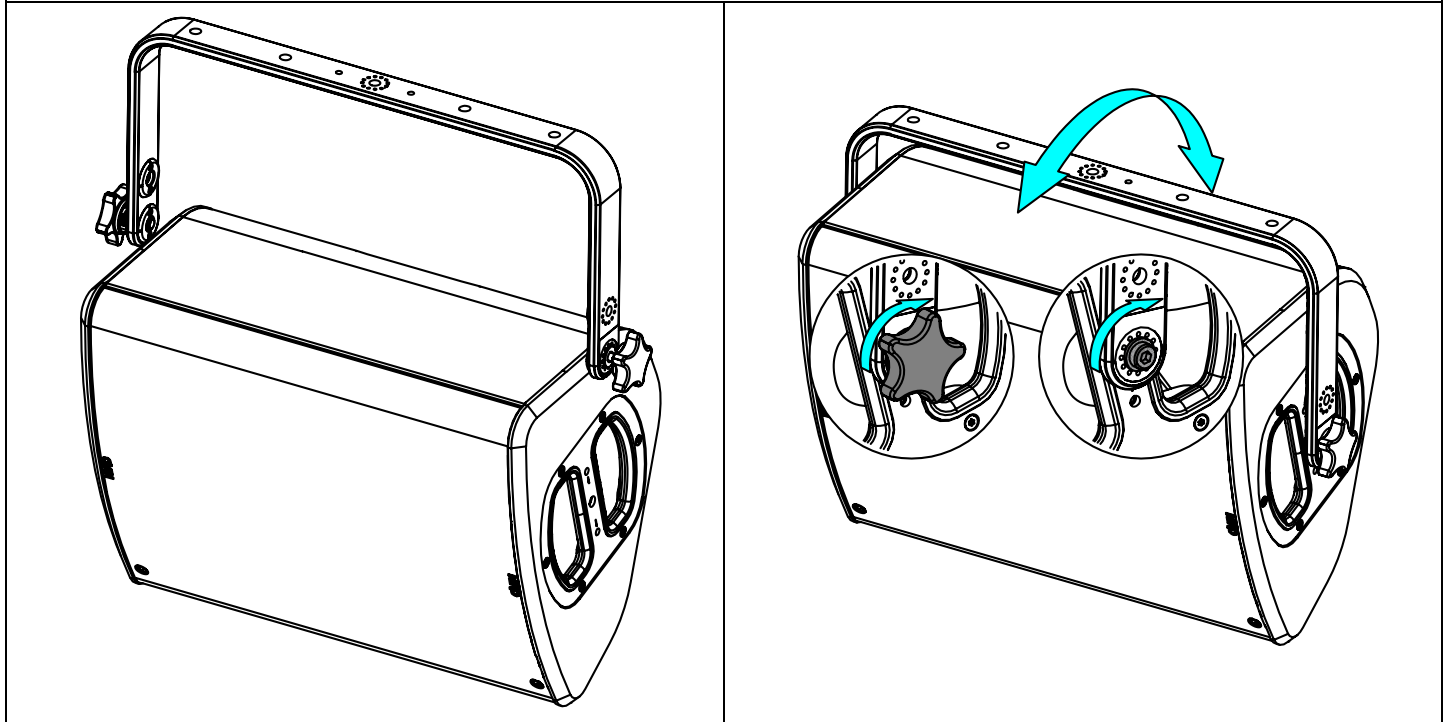


Dimensions:

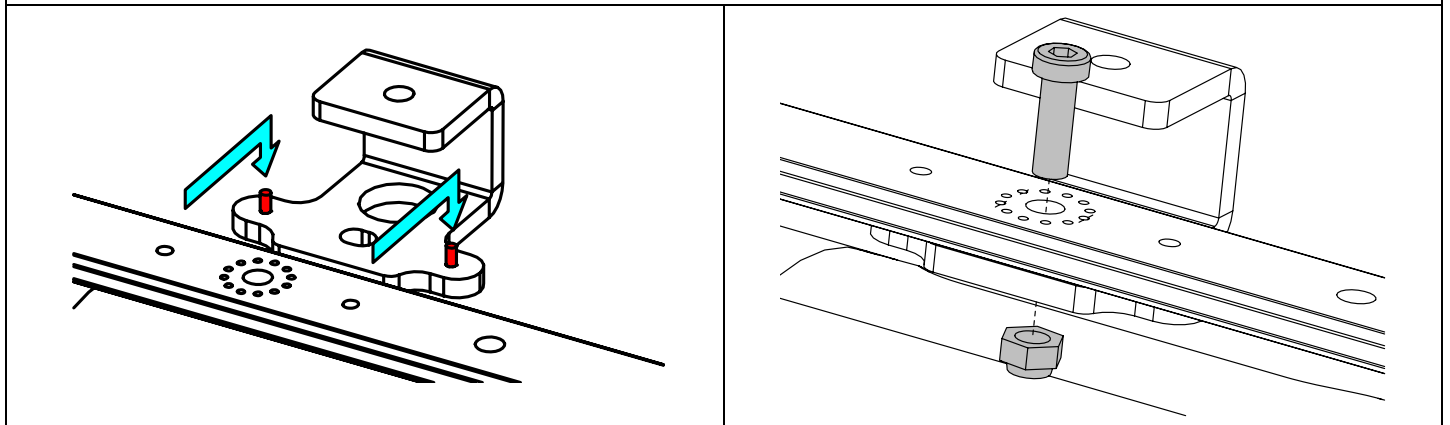


Use:

Place HBRK10 on P10, use only fasteners provided (thread lock coated screws for fixed installation). Tight properly



Place on CLADAPT, use the 2 guides. Tight with the fasteners provided with CLADAPT.



See PLADAPT Product Data Sheet for the use

- NEXO cannot accept responsibility for accidents caused by any factor other than defects in this product itself.
- Please check the web site [nexo-sa.com](http://nexo-sa.com) for the latest update.

**NEXO**

nexo-sa.com  
ZA du Pre de la Dame Jeanne  
60128 PLAILLY - France

- Read this document before using.
- Keep this document.
- Observe all warnings and cautions.

