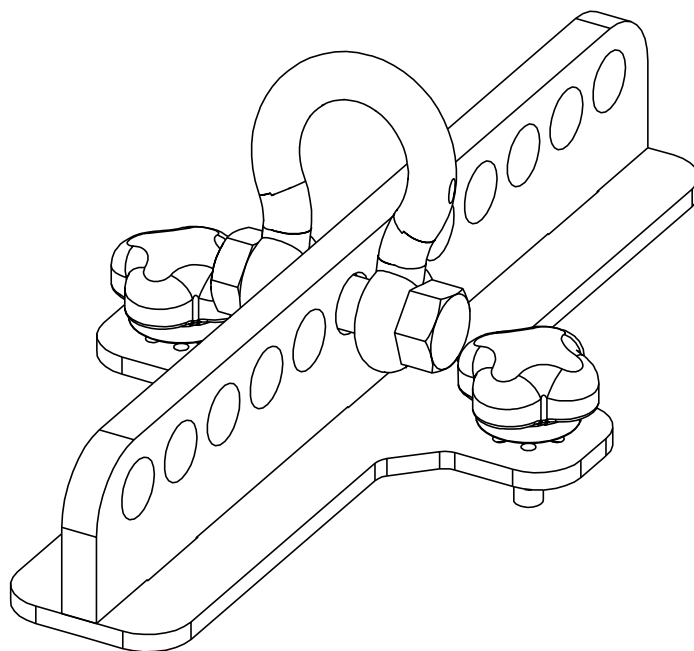
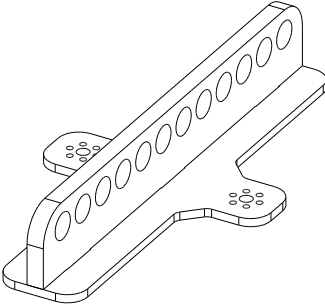
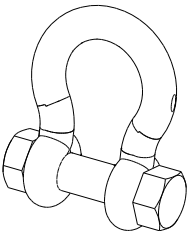
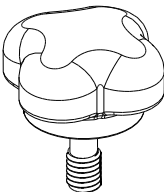
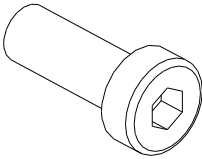


LiftBar for PLUS series



Contents:

<p>X1</p> 	<p>X1</p> 	<p>X2</p> 	<p>X2</p> 
--	---	--	---

Weight: 1 kg / 2.2 lb

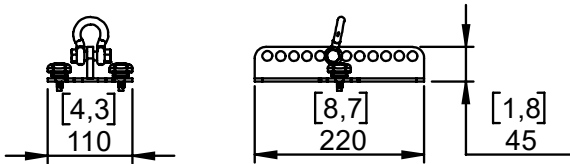


nexo-sa.com
ZA du Pre de la Dame Jeanne
60128 PLAILLY - France

- Read this document before using.
- Keep this document.
- Observe all warnings and cautions.



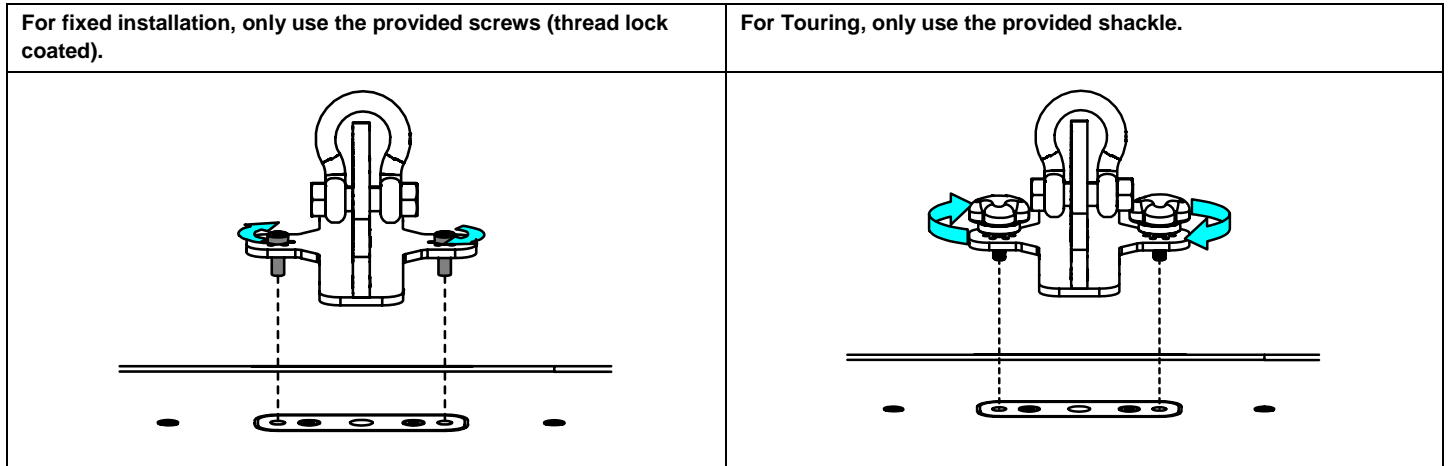
Dimensions:



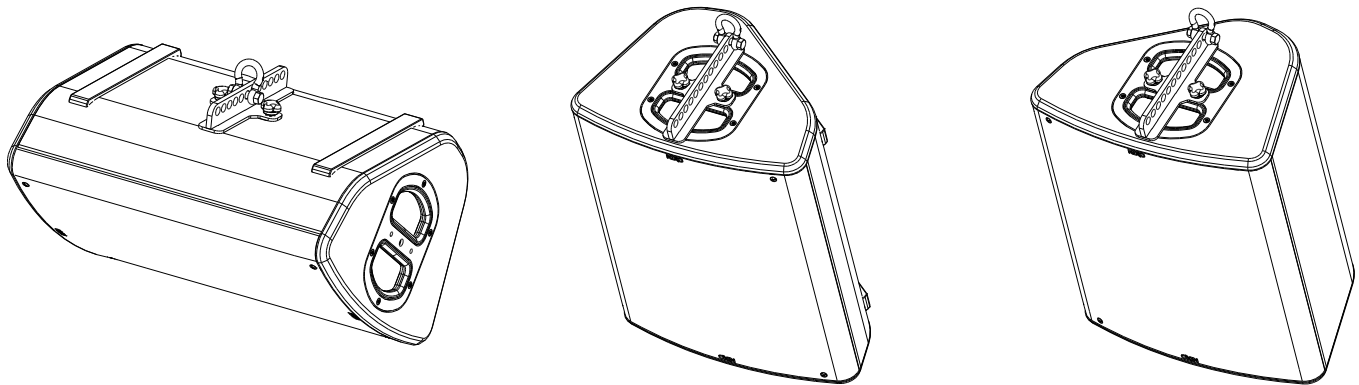
Warning

Use shackle model: Alloy Bolt Type Shackle 1 tons

Use:



Operating locations:



Angles available (+/- 1°)

Hole from the front of the cabinet		1	2	3	4	5	6	7	8	9	10	11	12
+P8	H Position	-10	-15	-21	-29	-37	-46	-52	-59	-65	-72	-77	-81
	V Position	+24	+21	+17	+13	+9	+5	0	-3	-8	-12	-17	-21
+P10	H Position	-16	-11	-17	-21	-29	-34	-41	-47	-54	-60	-66	-70
	V Position	+19	+15	+11	+7	+5	0	-2	-6	-10	-14	-18	-21
+P12	H Position	-8	-12	-17	-23	-28	-33	-39	-46	-51	-57	-63	-68
	V Position	+20	+17	+13	+10	+6	+3	0	-4	-7	-11	-14	-17

- NEXO cannot accept responsibility for accidents caused by any factor other than defects in this product itself.
- Please check the web site nexo-sa.com for the latest update.

