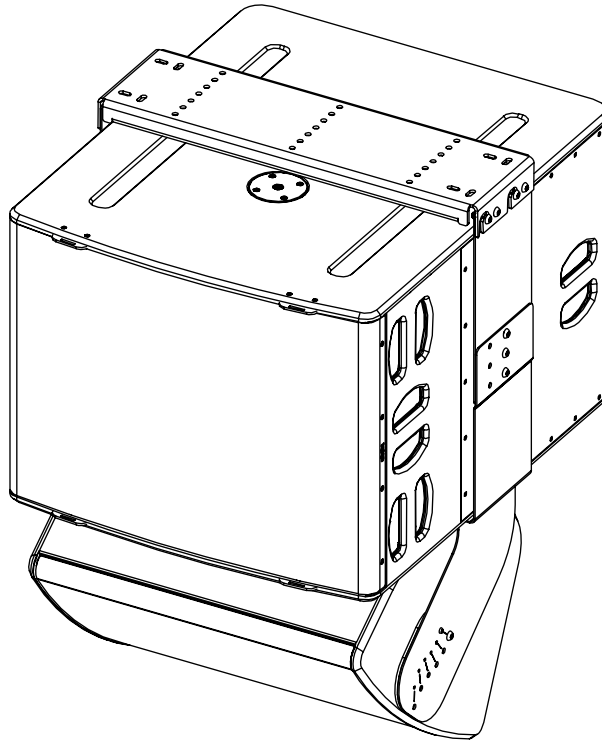
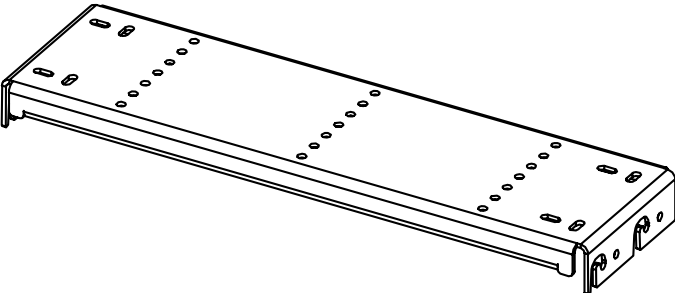
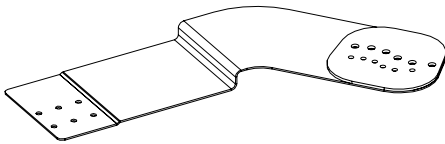
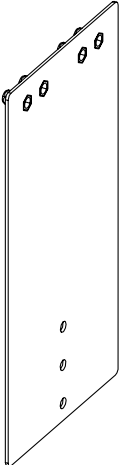
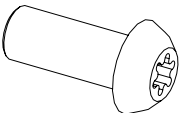
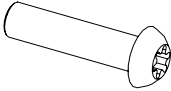


P18 Under L20 Rigging System



Contents:

<p>X1 Ceiling Plate</p> 	<p>X1 Left Plate</p> 	<p>X2 Main Plate</p> 
<p>X8 M10x30 (a) X6 M10x18 (a) X2 M10x25 (a)</p> 	<p>X2 M6x25 (a)</p> 	

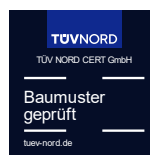
(a): The type of the screws may differ from the representation

Weight: 22 kg / 48.4 lb

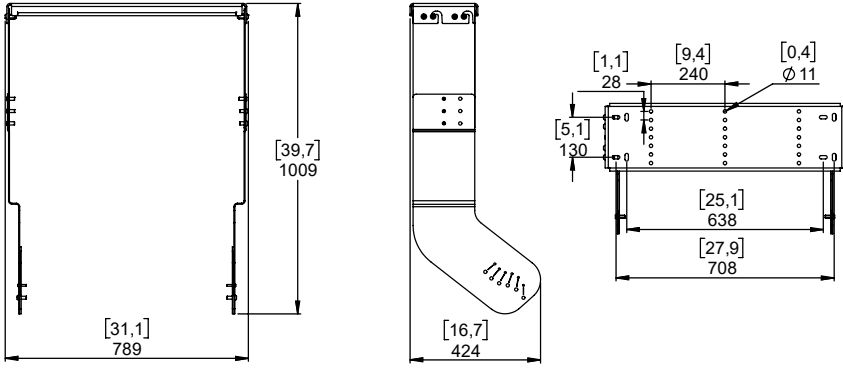


nexo-sa.com
ZA du Pre de la Dame Jeanne
60128 PLAILLY - France

- Read this document before using.
- Keep this document.
- Observe all warnings and cautions.



Dimensions:



For fixation, you have the choice between M8 and M10

WARNINGS

Ensure that the mounting location and fasteners can support at least 4 times the weight of all the installed cabinets, auxiliary equipment and cables.

Use only the provided screws (thread lock coated) and accessories.

For free-hanging installation, fixing at one point in the center is permissible.

For rigid installation with tilt angle, fixation at two outer hanging points necessary.

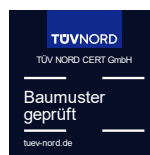
Implementation of a L20

<p>Prepare the Main plates by screwing the M10x30 screws on the holes (see picture below), do not tighten completely and leave at least 6mm.</p> <p>Assemble the Plates on each side of L20 using the M10x18 screws.</p>	<p>Place the assembly below the ceiling plate.</p>	<p>Tighten the screws. Secure with the 4 provided M10x30 screws.</p>



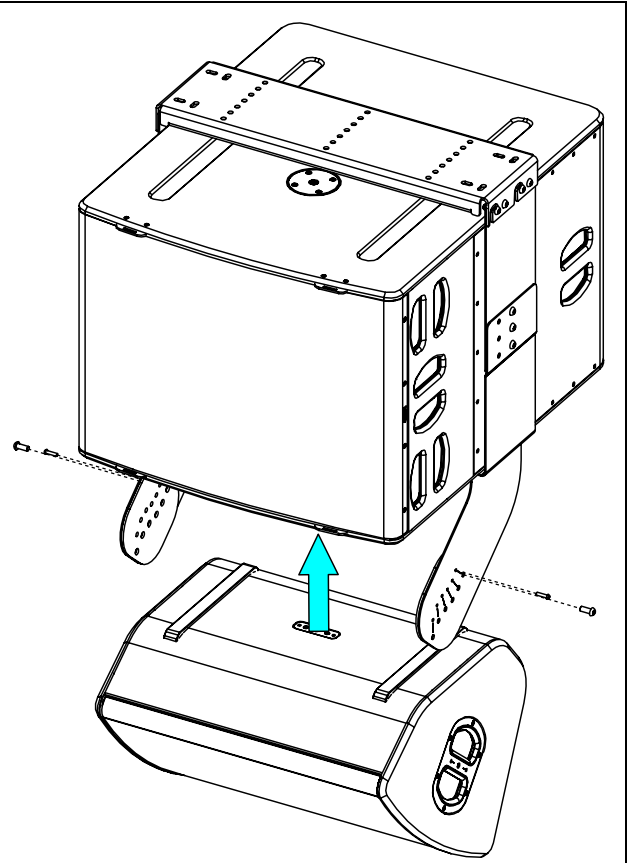
nexo-sa.com
 ZA du Pre de la Dame Jeanne
 60128 PLAILLY - France

- Read this document before using.
- Keep this document.
- Observe all warnings and cautions.



Implementation of a P18

Place P18 between the plates, position at the chosen angle, fasten with M10x25 screws and secure with M6x25 screws.



PNI-P18TOL20 frame tilt

P18	Holes 1	Holes 2	Holes 3	Holes 4	Holes 5	Holes 6	Holes 7
0°	4°	0°	-3°	-7°	-9°	-12°	-15°
-10°	4.5°	1°	-2°	-6°	-8°	-12.5°	-14.5°
-20°	5°	2°	-1°	-5°	-8.5°	-12°	-14.5°
-30°	6°	3°	-0.5°	-4.5°	-7°	-11°	-14°
-40°	6,5°	4°	0°	-4°	-6,5°	-10.5°	-13,5°
-50°	7°	4°	0°	-3°	-6°	-10°	-13°

Note 1 : Holes 1 are those toward F.O.H.

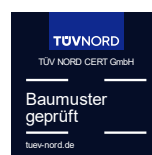
Note 2 : All angles measurements have been done without cables weight.

Note 3 : Angles are in relation to Horizontal position (0°)

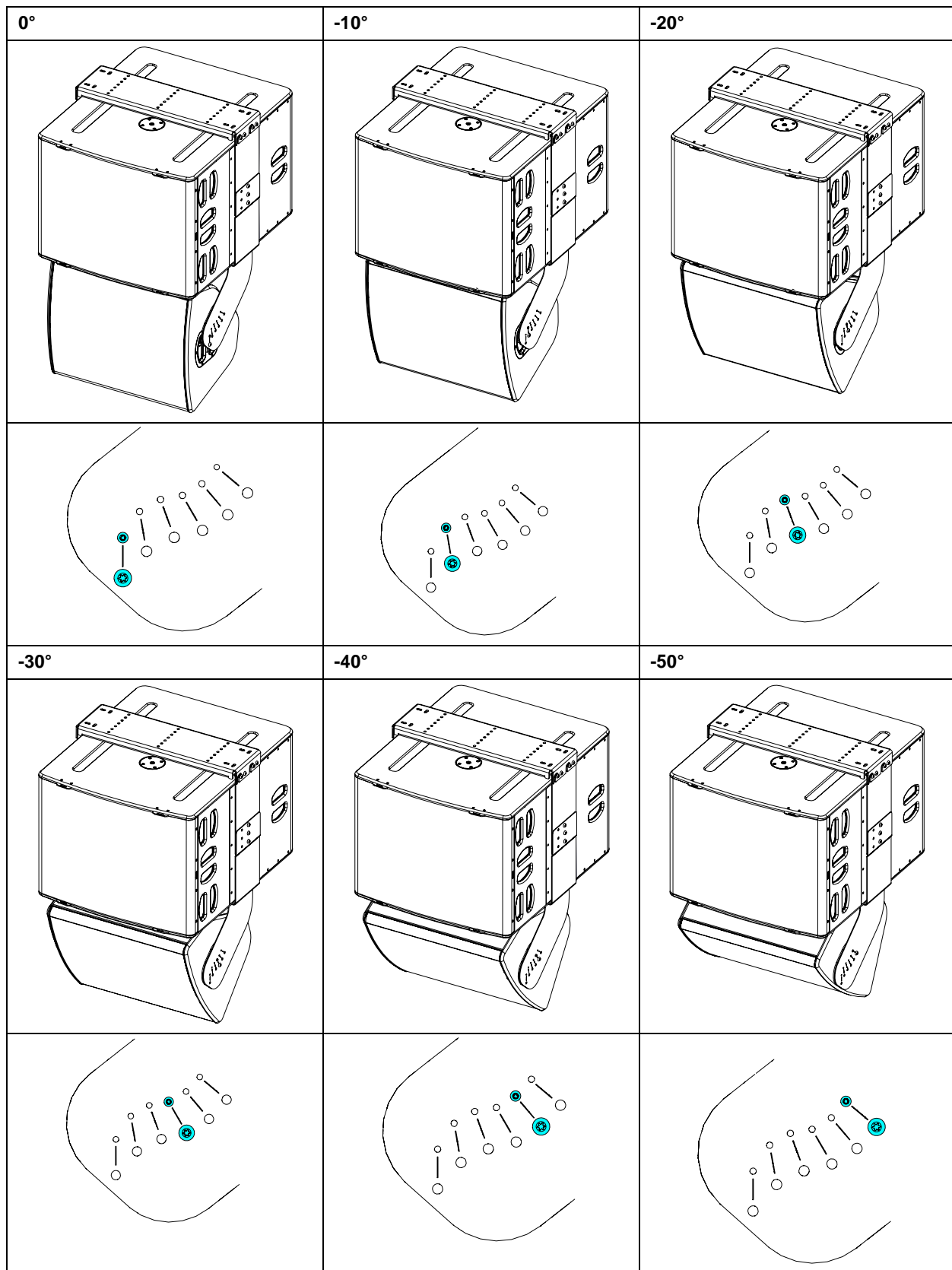


nexo-sa.com
 ZA du Pre de la Dame Jeanne
 60128 PLAILLY - France

- Read this document before using.
- Keep this document.
- Observe all warnings and cautions.



Standard inclinations :



- NEXO cannot accept responsibility for accidents caused by any factor other than defects in this product itself.
- Please check the web site nexo-sa.com for the latest update.