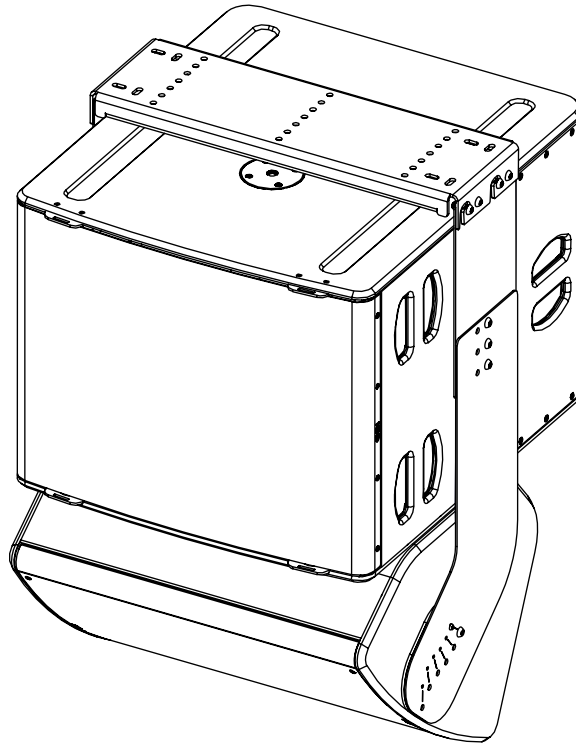
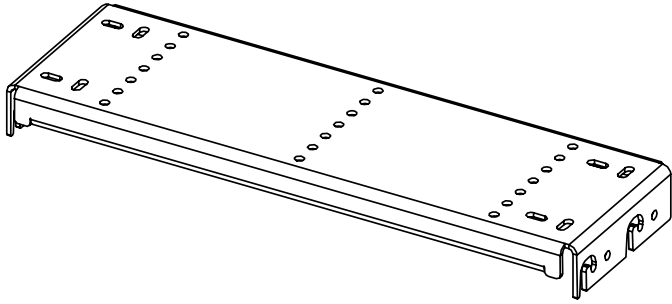
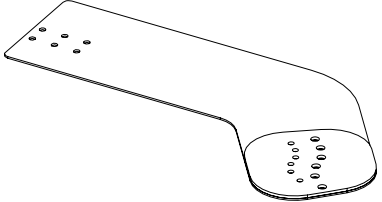
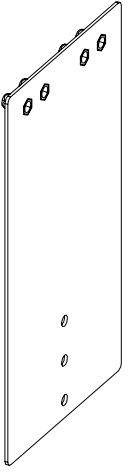
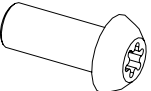
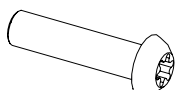


P18 Under L18 Rigging System



Contents:

<p>X1 Ceiling Plate</p> 	<p>X1 Left Plate</p> 	<p>X2 Main Plate</p> 
<p>X8 M10x30 (a) X6 M10x18 (a) X2 M10x25 (a)</p> 	<p>X2 M6x25 (a)</p> 	

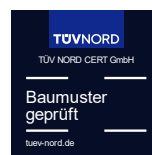
(a): The type of the screws may differ from the representation.

Weight: 21 kg / 46.2 lb

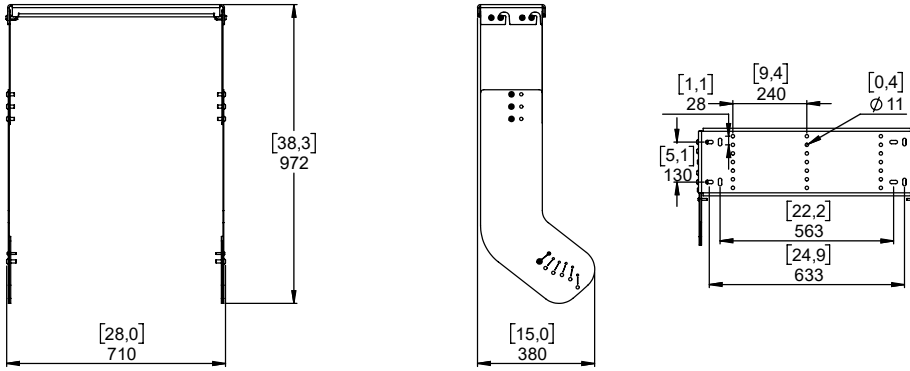


nexo-sa.com
ZA du Pre de la Dame Jeanne
60128 PLAILLY - France

- Read this document before using.
- Keep this document.
- Observe all warnings and cautions.



Dimensions:



For fixation, you have the choice between M8 and M10

WARNINGS

Ensure that the mounting location and fasteners can support at least 4 times the weight of all the installed cabinets, auxiliary equipment and cables.

Use only the provided screws (thread lock coated) and accessories.

For free-hanging installation, fixing at one point in the center is permissible.

For rigid installation with tilt angle, fixation at two outer hanging points necessary.

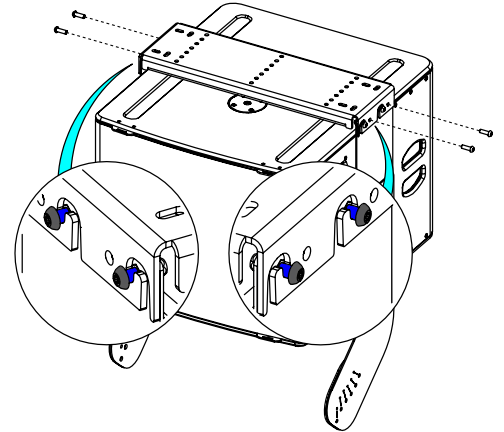
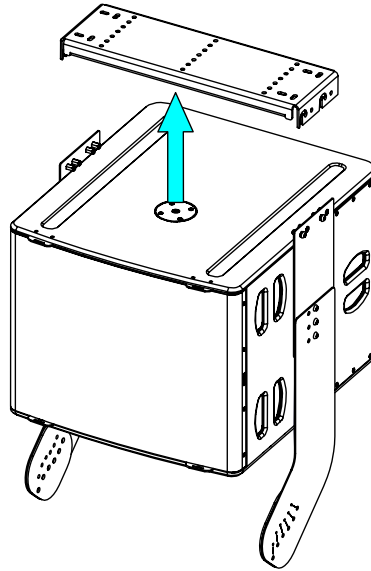
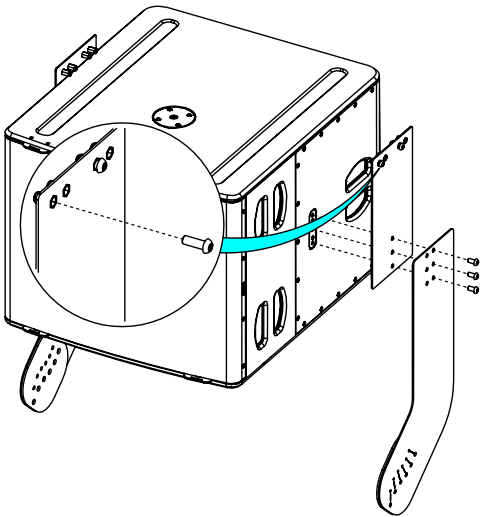
Implementation of a L18

Prepare the Main plates by screwing the M10x30 screws on the holes (see picture below), do not tighten completely and leave at least 6mm.

Assemble the Plates on each side of L18 using the M10x18 screws.

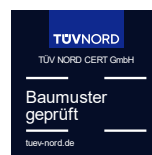
Place the assembly below the ceiling plate.

Tighten the screws. Secure with the 4 provided M10x30 screws.



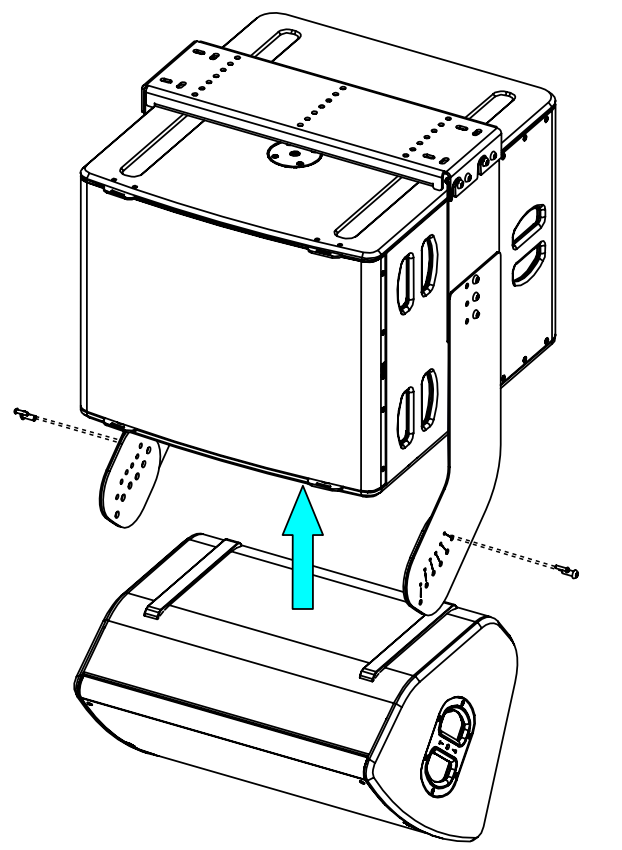
nexo-sa.com
ZA du Pre de la Dame Jeanne
60128 PLAILLY - France

- Read this document before using.
- Keep this document.
- Observe all warnings and cautions.



Implementation of a P18

Place P18 between the plates, position at the chosen angle, fasten with M10x25 screws and secure with M6x25 screws.



PNI-P18TOL18 frame tilt (+/-1°)

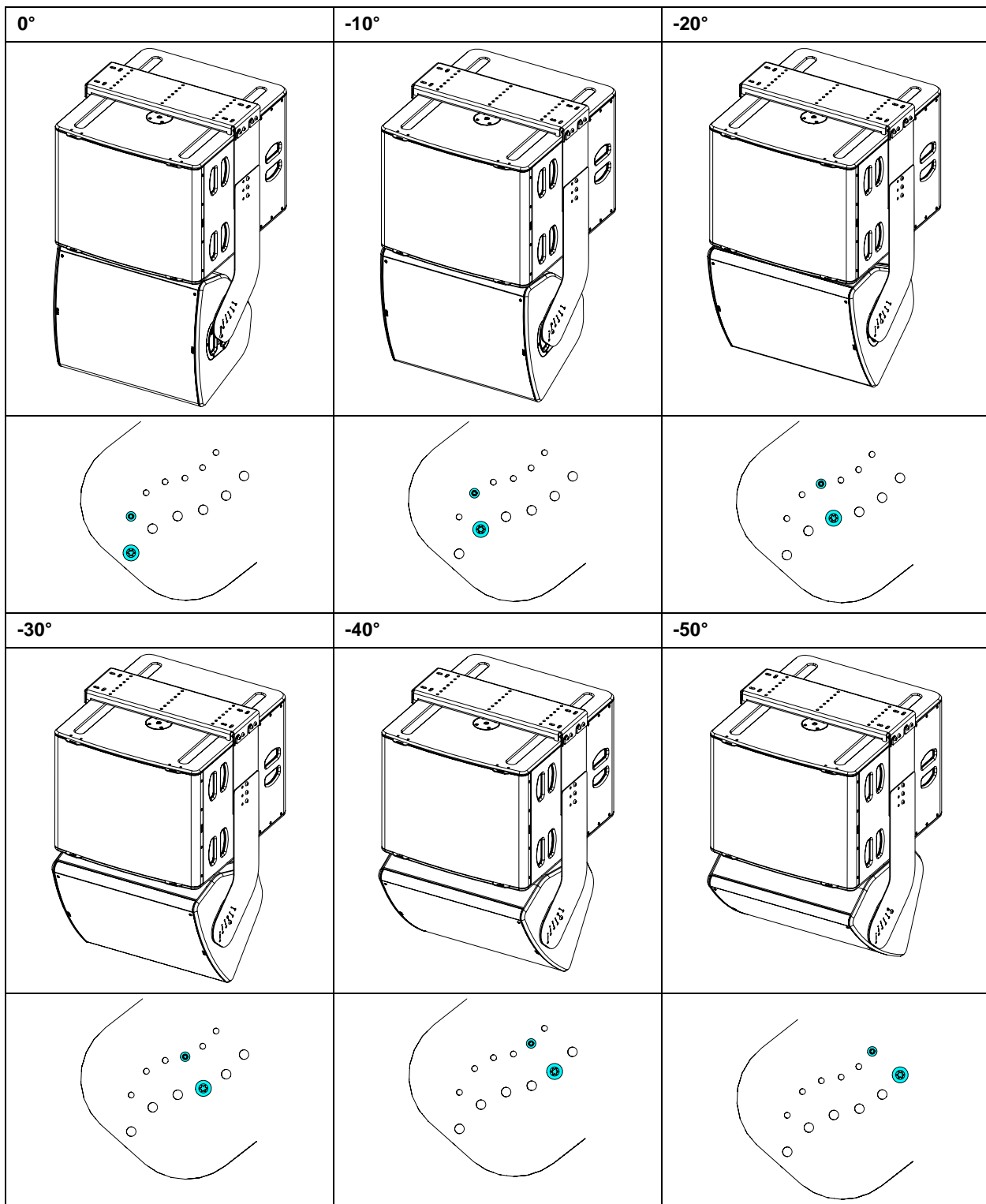
P18	Holes 1	Holes 2	Holes 3	Holes 4	Holes 5	Holes 6	Holes 7
0°	8°	5°	1.5°	-2°	-8.5°	-11.5°	-14°
-10°	7°	4,5°	1°	-2.5°	-8°	-12,0°	-14°
-20°	6°	4°	0.0°	-2,5°	-7.5°	-12°	-13.5°
-30°	5,0°	3°	0.5°	-3°	-6.5°	-12,5°	-13°
-40°	4,5°	2,5°	-0.5°	-3°	-6°	-12,5°	-13°
-50°	4.5°	2,0°	-1°	-3.5°	-5,5°	-13°	-12,5°

Note 1 : Holes 1 are those toward F.O.H.

Note 2 : All angles measurements have been done without cables weight.

Note 3 : Angles are in relation to Horizontal position (0°)

Standard inclinations :



- NEXO cannot accept responsibility for accidents caused by any factor other than defects in this product itself.
- Please check the web site nexo-sa.com for the latest update.