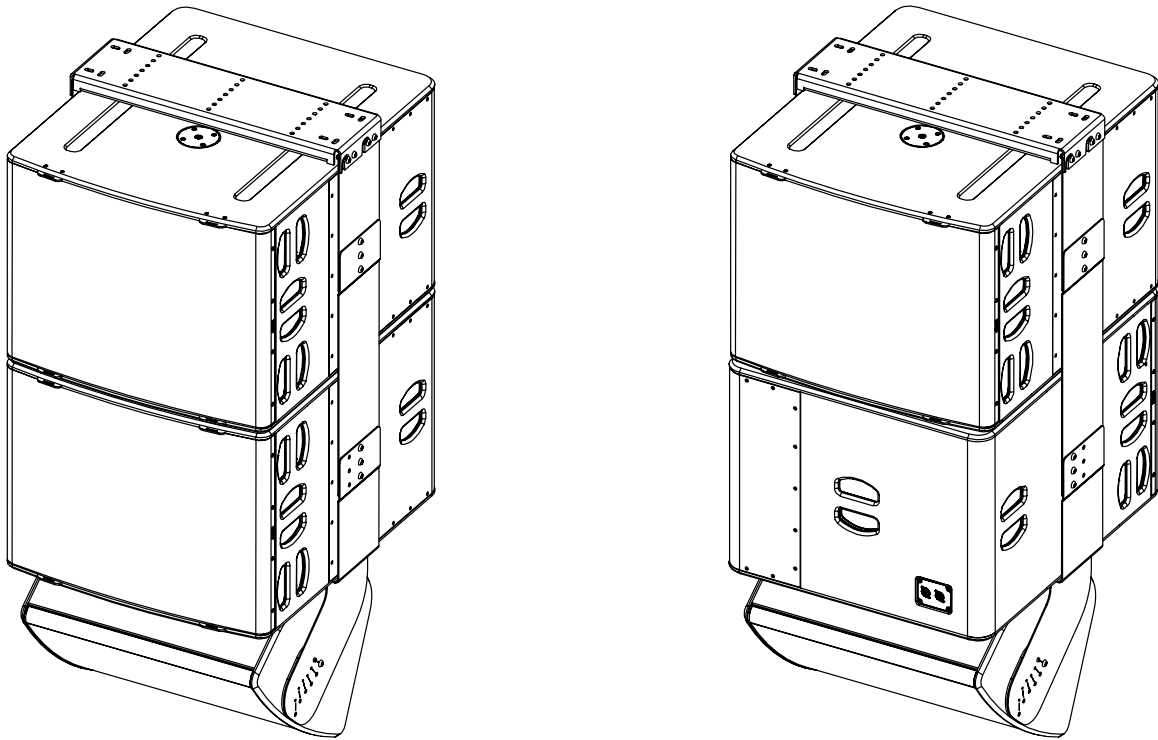
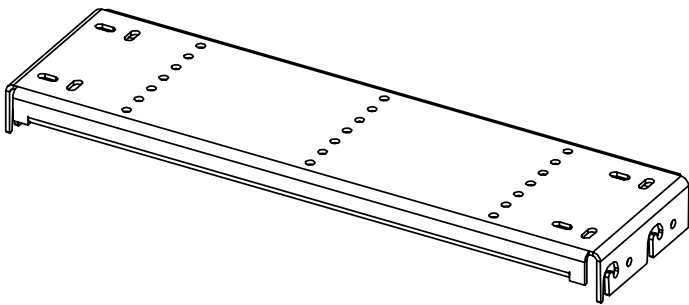
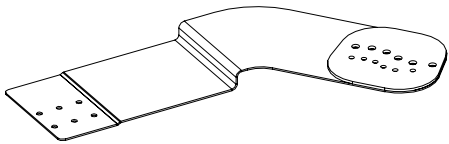
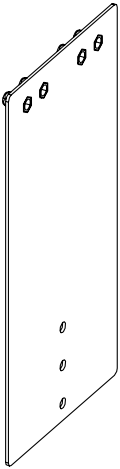
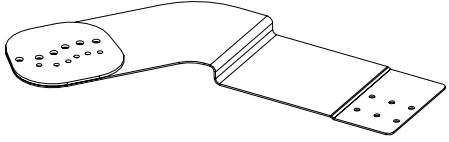
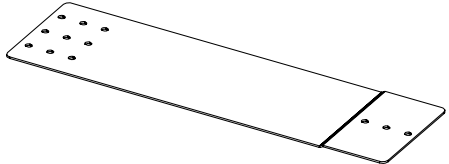
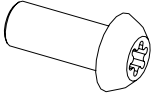
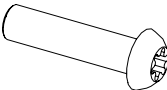


P18 Under 2x L20 Rigging System



Contents:

<p>X1 Ceiling Plate</p> 	<p>X1 Left Plate</p> 	<p>X2 Main Plate</p> 
<p>X1 Right Plate</p> 	<p>X2 L20 Plate</p> 	
<p>X8 M10x30 (a) X12 M10x18 (a) X2 M10x25 (a)</p> 	<p>X2 M6x25 (a)</p> 	

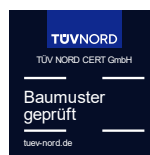
(a): The type of the screws may differ from the representation

Weight: 29.5 kg / 65 lb

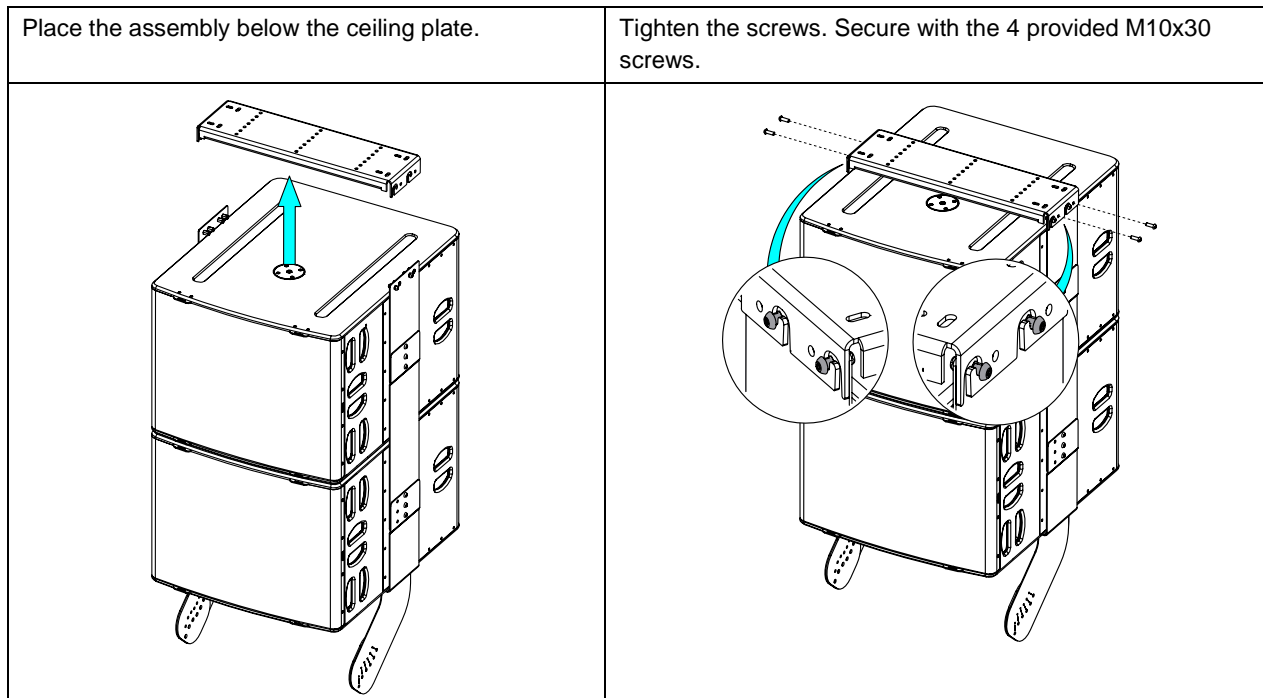


nexo-sa.com
ZA du Pre de la Dame Jeanne
60128 PLAILLY - France

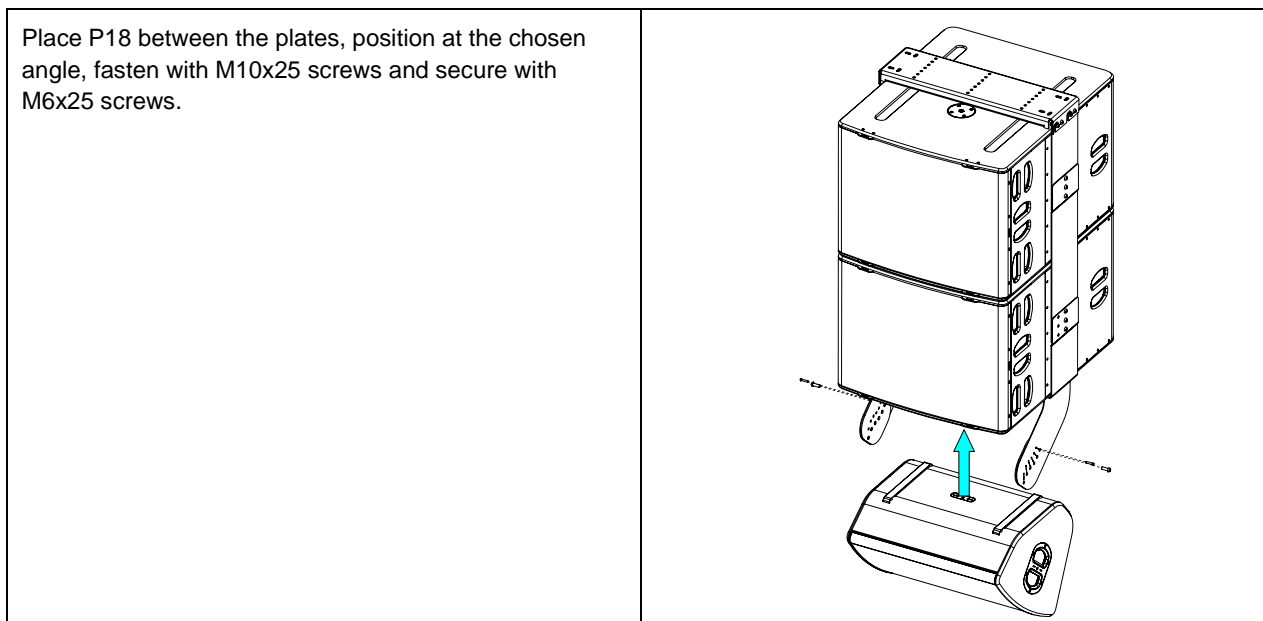
- Read this document before using.
- Keep this document.
- Observe all warnings and cautions.



Assembly on the ceiling plate



Implementation of P18



PNI-P18TO2L20 frame tilt (+/-1°)

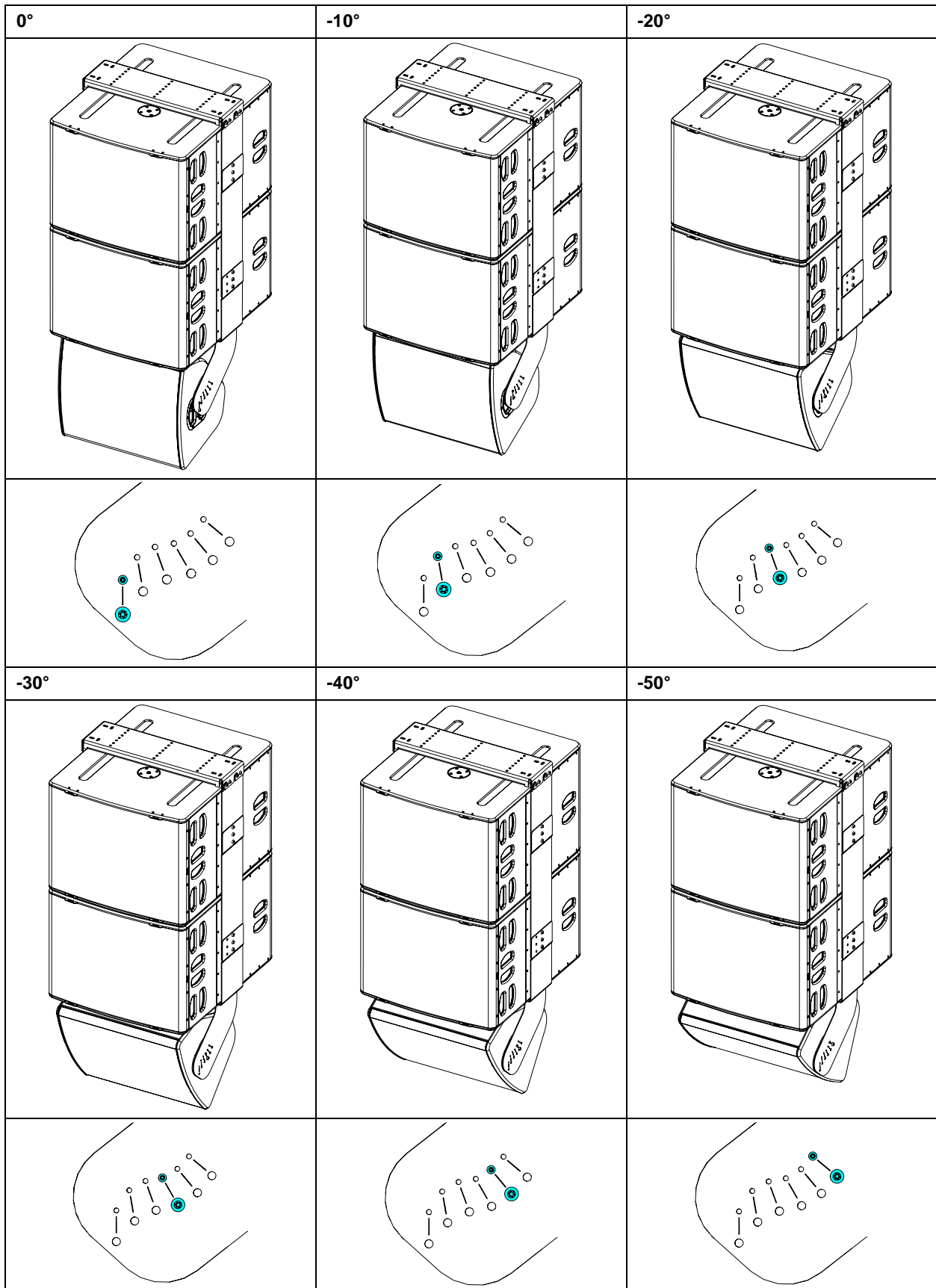
P20	Holes 1	Holes 2	Holes 3	Holes 4	Holes 5	Holes 6	Holes 7
0°	6°	3°	0°	-2°	-5°	-8°	-11°
-10°	6°	3°	1°	-1,5°	-4,5°	-6°	-9°
-20°	5,5°	3,5°	1,5°	-1°	-4°	-5,5°	-9°
-30°	5,5°	4°	1,5°	-1°	-3,5°	-5°	-9°
-40°	5°	4,5°	2°	-0,5°	-3°	-5°	-9°
-50°	5°	5°	2°	-0,5°	-3°	-4,5°	-9°

Note 1 : Holes 1 are those toward F.O.H.

Note 2 : All angles measurements have been done without cables weight.

Note 3 : Angles are in relation to Horizontal position (0°)

Standard inclinations :



- NEXO cannot accept responsibility for accidents caused by any factor other than defects in this product itself.
- Please check the web site nexo-sa.com for the latest update.