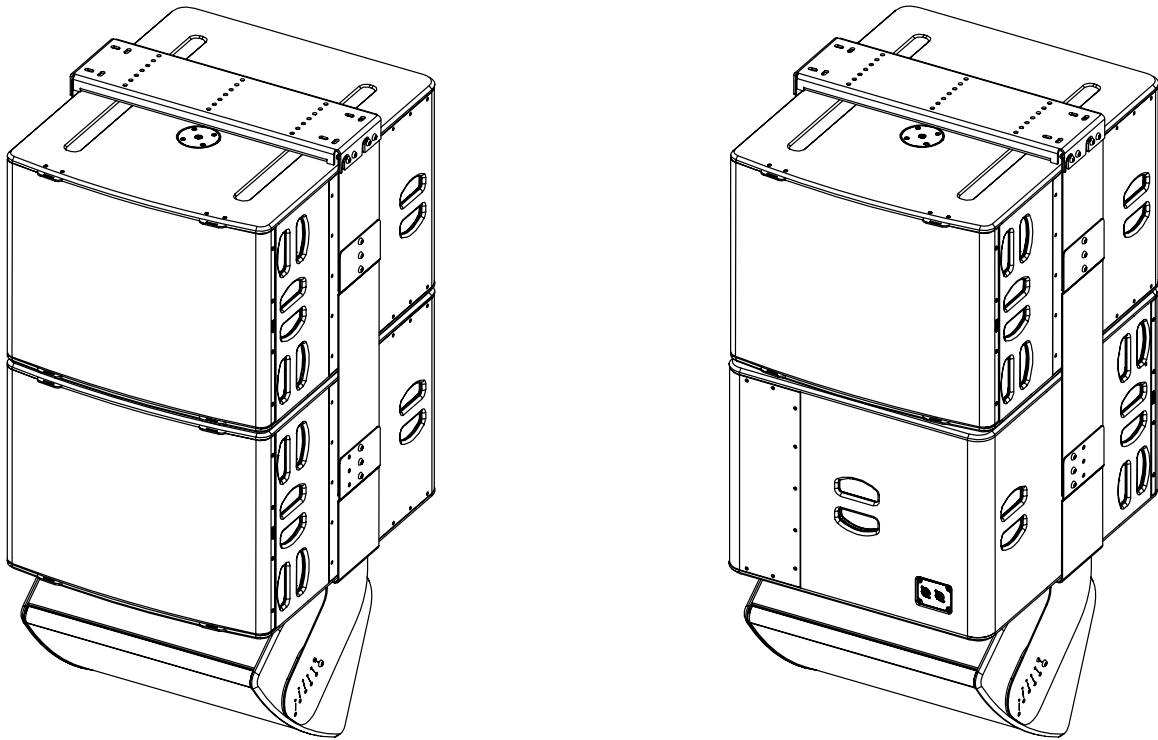


## P18 Under 2x L20 Rigging System



### Contents:

<p><b>X1 Ceiling Plate</b></p>	<p><b>X1 Left Plate</b></p>	<p><b>X2 Main Plate</b></p>
<p><b>X8 M10x30 (a)</b> <b>X12 M10x18 (a)</b> <b>X2 M10x25 (a)</b></p>	<p><b>X1 Right Plate</b></p>	
<p><b>X2 M6x25 (a)</b></p>	<p><b>X2 L20 Plate</b></p>	

(a): The type of the screws may differ from the representation

**Weight: 29.5 kg / 65 lb**

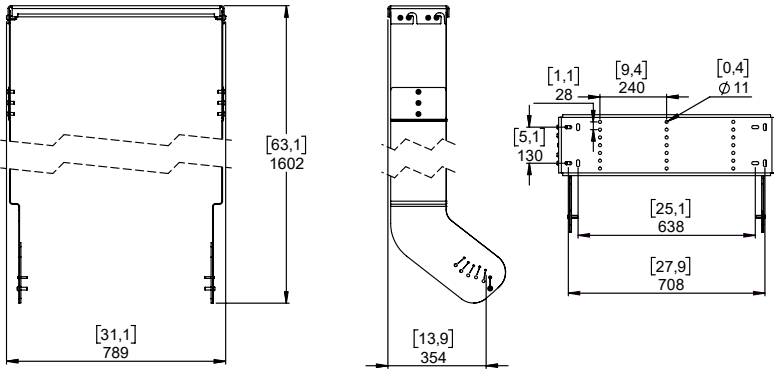


nexo-sa.com  
ZA du Pre de la Dame Jeanne  
60128 PLAILLY - France

- Read this document before using.
- Keep this document.
- Observe all warnings and cautions.



**Dimensions:**



For fixation, you have the choice between M8 and M10

**WARNINGS**

Ensure that the mounting location and fasteners can support at least 4 times the weight of all the installed cabinets, auxiliary equipment and cables.

Use only the provided screws (thread lock coated) and accessories.

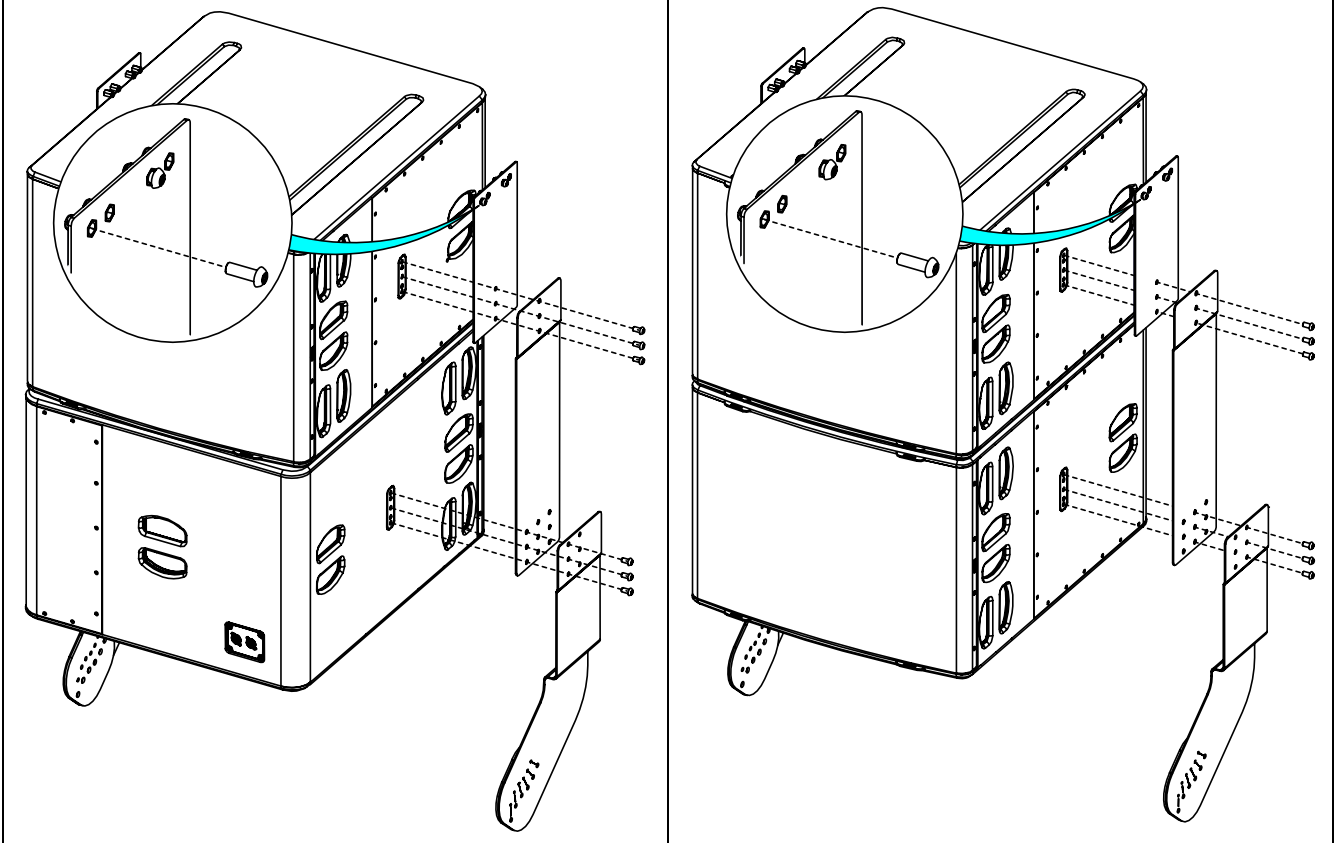
**Implementation of L20**

Prepare the Main plates by screwing the M10x30 screws on the holes (see picture below), do not tighten completely and leave at least 6mm.

Assemble the Plates on each side of L20 using the M10x18 screws.

**CARDIO mode**

**OMNI Mode**

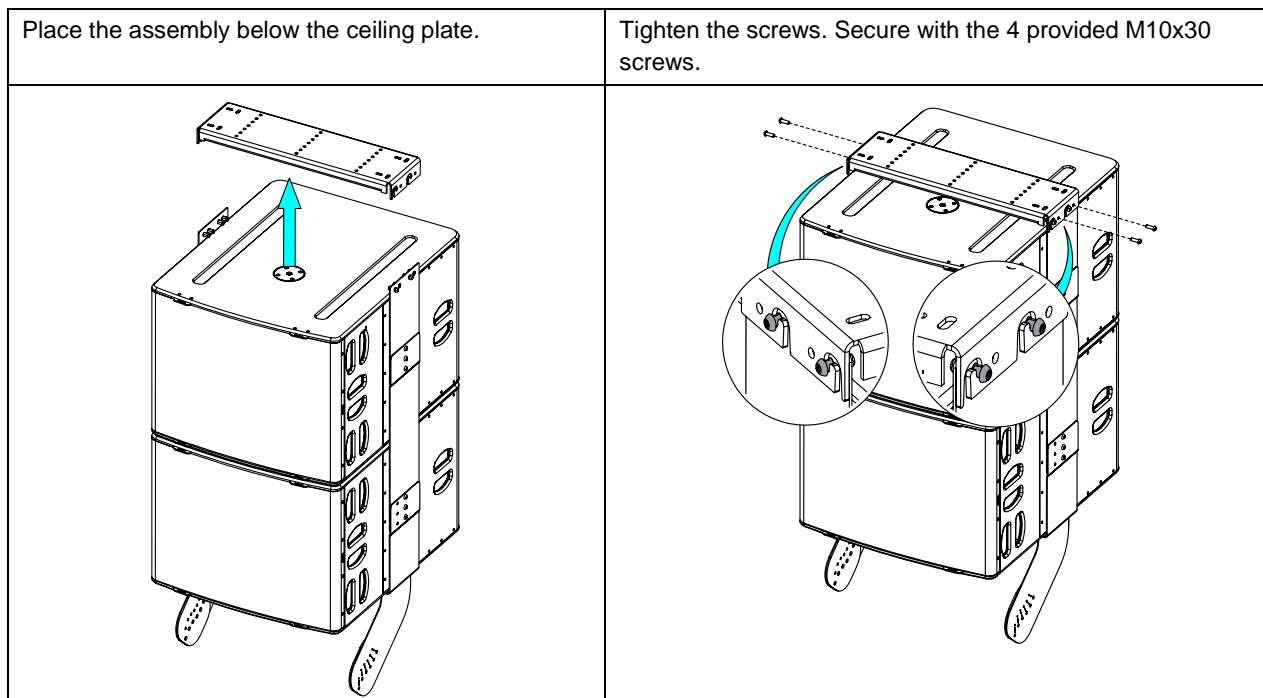


nexo-sa.com  
ZA du Pre de la Dame Jeanne  
60128 PLAILLY - France

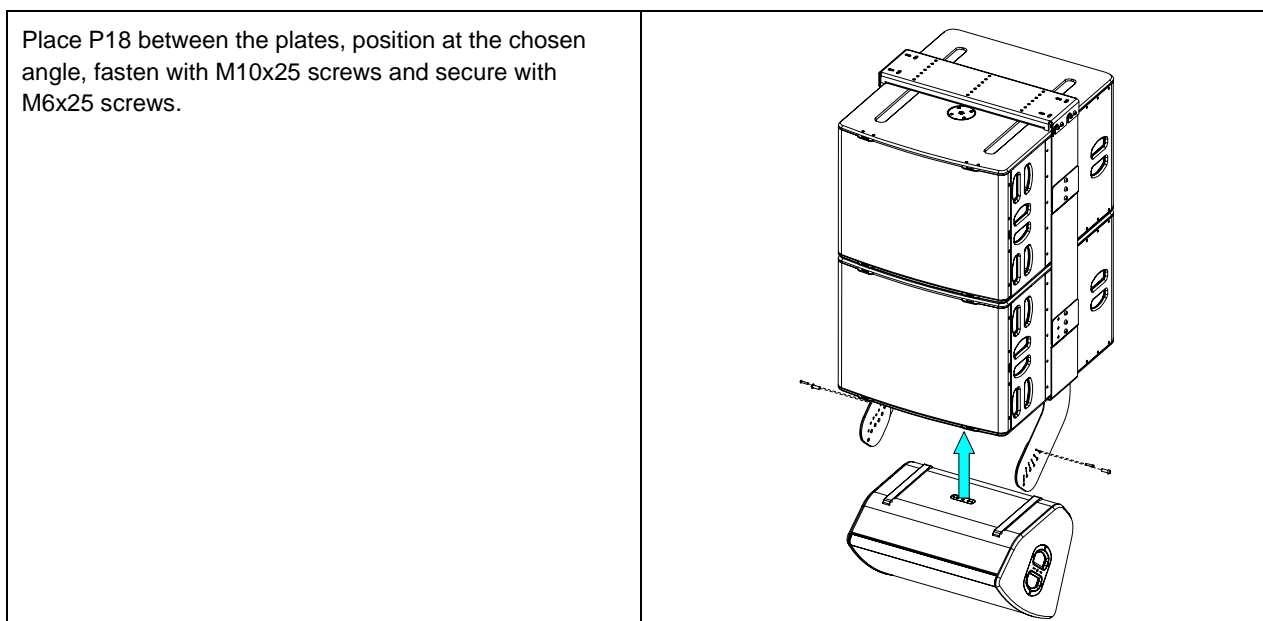
- Read this document before using.
- Keep this document.
- Observe all warnings and cautions.



## Assembly on the ceiling plate



## Implementation of P18



## PNI-P18TO2L20 frame tilt (+/-1°)

P20	Holes 1	Holes 2	Holes 3	Holes 4	Holes 5	Holes 6	Holes 7
0°	6°	3°	0°	-2°	-5°	-8°	-11°
-10°	6°	3°	1°	-1,5°	-4,5°	-6°	-9°
-20°	5,5°	3,5°	1,5°	-1°	-4°	-5,5°	-9°
-30°	5,5°	4°	1,5°	-1°	-3,5°	-5°	-9°
-40°	5°	4,5°	2°	-0,5°	-3°	-5°	-9°
-50°	5°	5°	2°	-0,5°	-3°	-4,5°	-9°

Note 1 : Holes 1 are those toward F.O.H.

Note 2 : All angles measurements have been done without cables weight.

Note 3 : Angles are in relation to Horizontal position ( 0° )

# NEXO

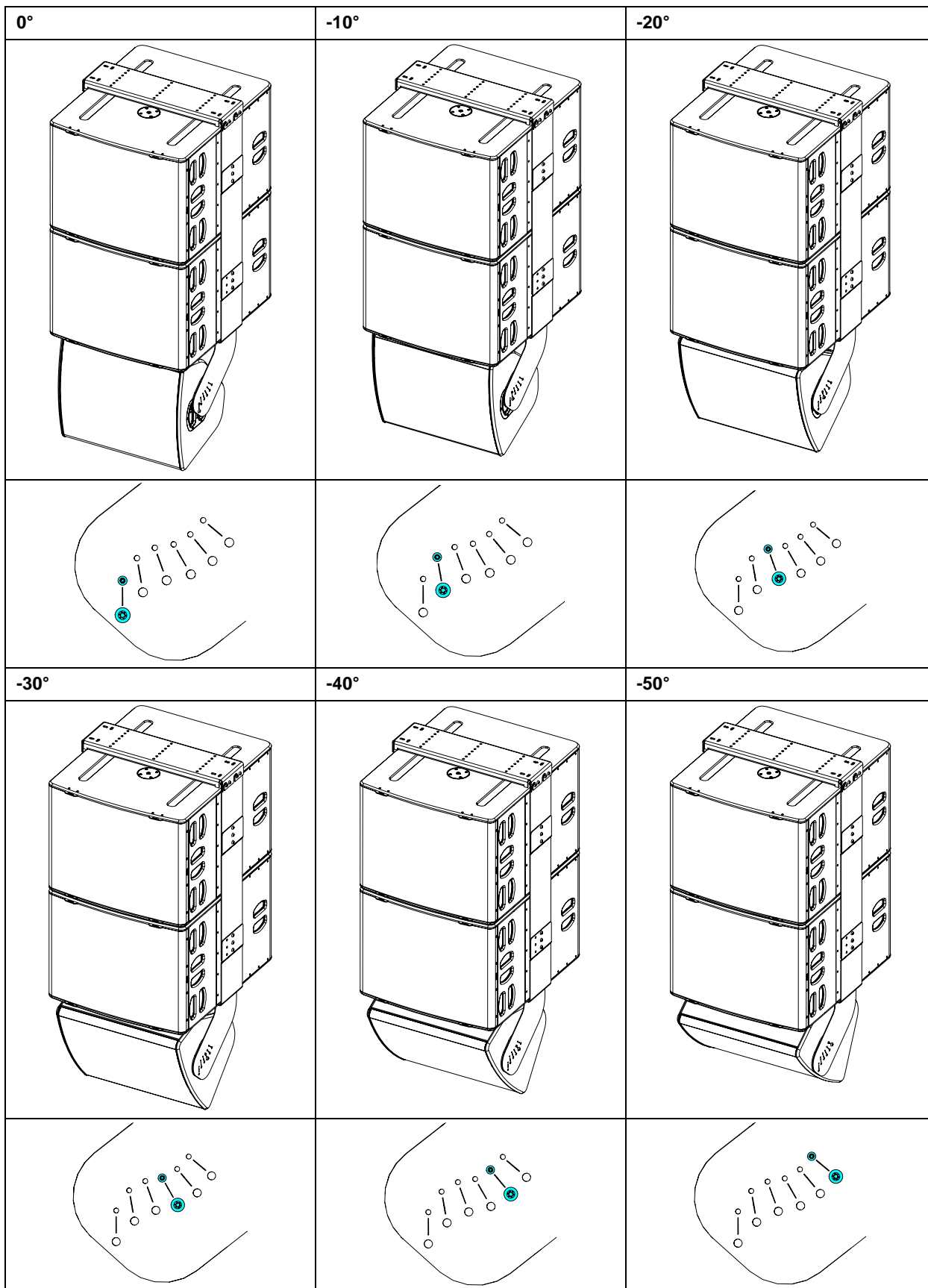
nexo-sa.com

ZA du Pre de la Dame Jeanne  
60128 PLAILLY - France

- Read this document before using.
- Keep this document.
- Observe all warnings and cautions.



Standard inclinations :



- NEXO cannot accept responsibility for accidents caused by any factor other than defects in this product itself.
- Please check the web site [nexo-sa.com](http://nexo-sa.com) for the latest update.

**NEXO**

nexo-sa.com  
 ZA du Pre de la Dame Jeanne  
 60128 PLAILLY - France

- Read this document before using.
- Keep this document.
- Observe all warnings and cautions.

