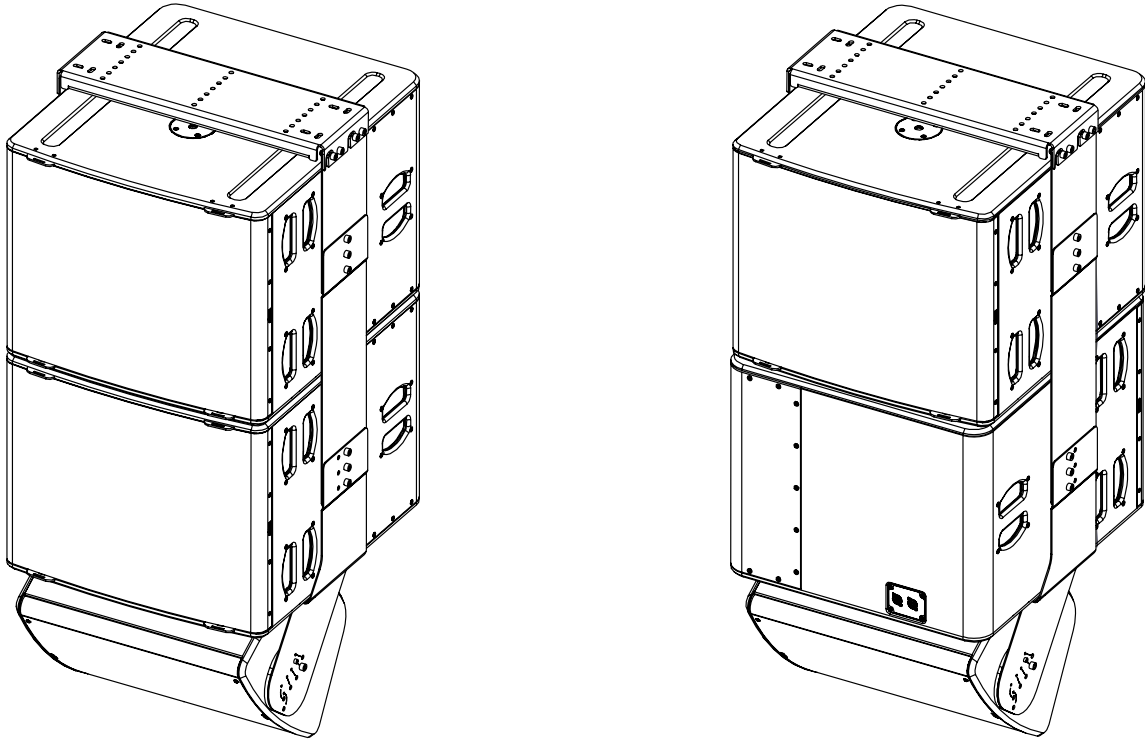
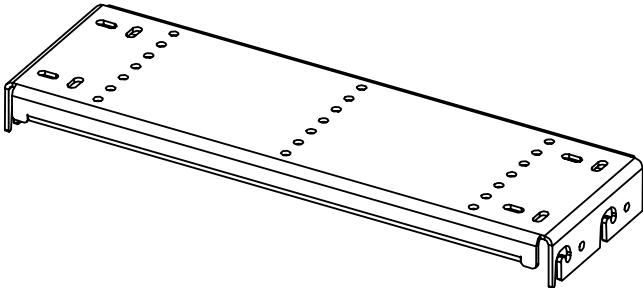
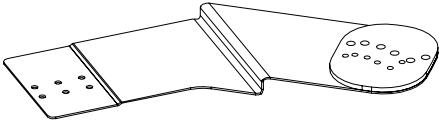
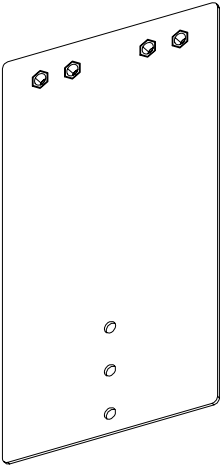
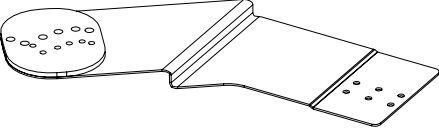
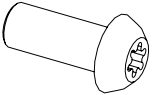
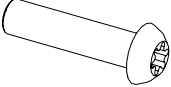
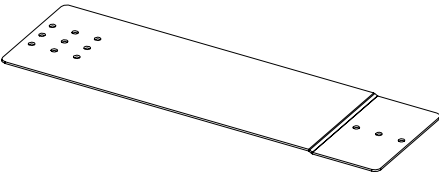


P15 Under 2xL18 Rigging System



Contents:

<p>X1 Ceiling Plate</p> 		<p>X1 Left Plate</p> 	<p>X2 Main Plate</p> 
		<p>X1 Right Plate</p> 	
<p>X8 M10x30 (a) X2 M10x25 (a) X12 M10x18 (a)</p> 	<p>X2 M6x25 (a)</p> 	<p>X2 L18 Plate</p> 	

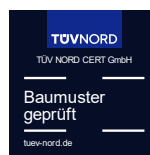
(a) : The type of the screws may differ from the representation

Weight: 27.3 kg / 60 lb

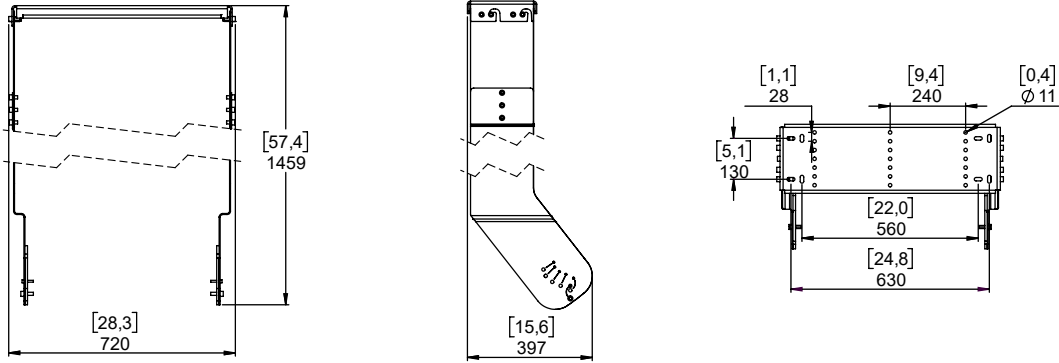


nexo-sa.com
ZA du Pre de la Dame Jeanne
60128 PLAILLY - France

- Read this document before using.
- Keep this document.
- Observe all warnings and cautions.



Dimensions:



For fixation, you have the choice between M8 and M10

WARNINGS

Ensure that the mounting location and fasteners can support at least 4 times the weight of all the installed cabinets, auxiliary equipment and cables.

Use only the provided screws (thread lock coated) and accessories.

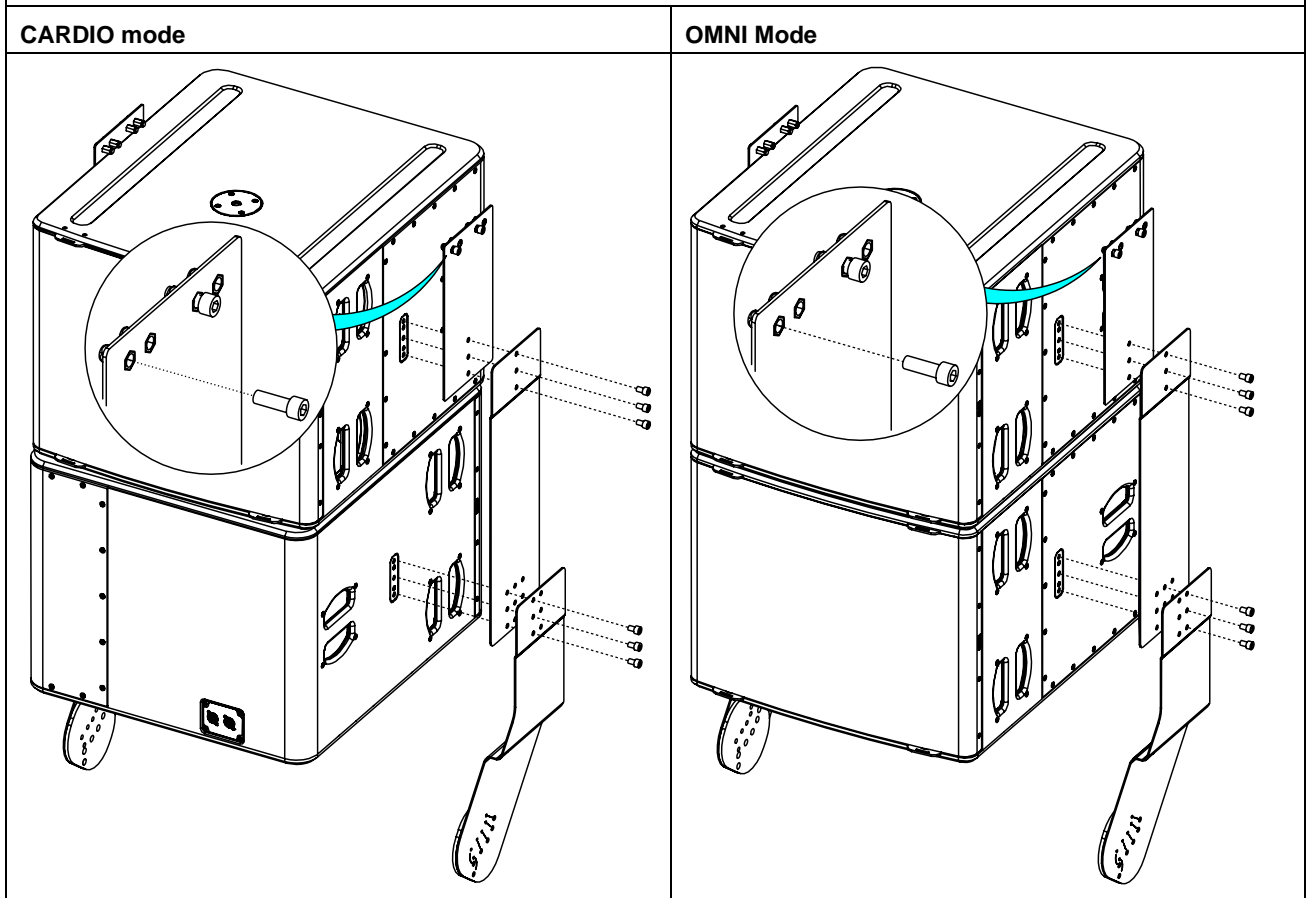
For free-hanging installation, fixing at one point in the center is permissible.

For rigid installation with tilt angle, fixation at two outer hanging points necessary.

Implementation of L18

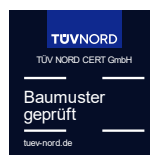
Prepare the Main plates by screwing the M10x30 screws on the holes (see picture below), do not tighten completely and leave at least 6mm.

Assemble the Plates on each side of L18 using the M10x18 screws.

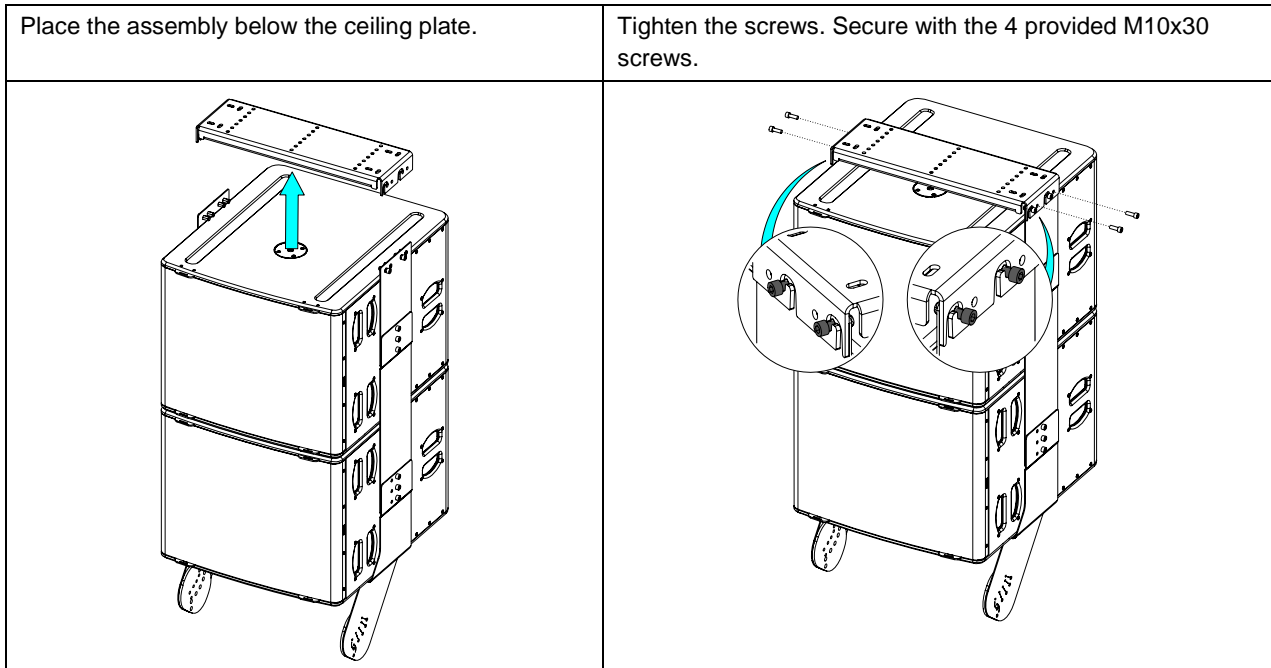


nexo-sa.com
 ZA du Pre de la Dame Jeanne
 60128 PLAILLY - France

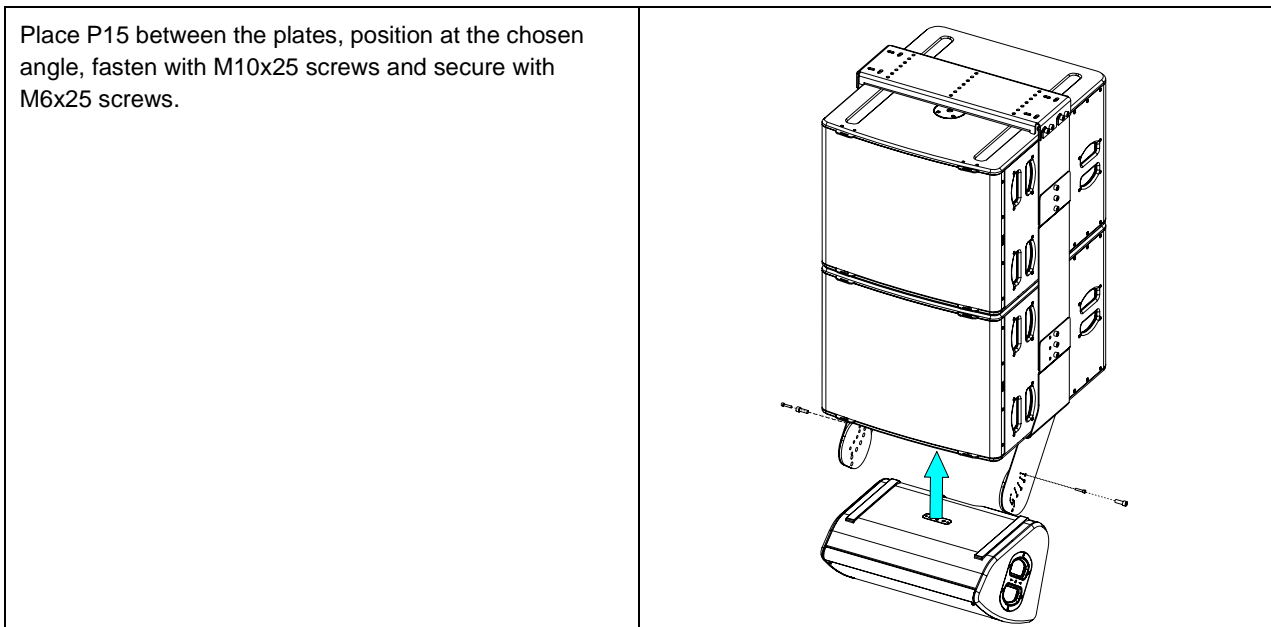
- Read this document before using.
- Keep this document.
- Observe all warnings and cautions.



Assembly on the ceiling plate



Implementation of P15



PNI-P15TO2L18 frame tilt

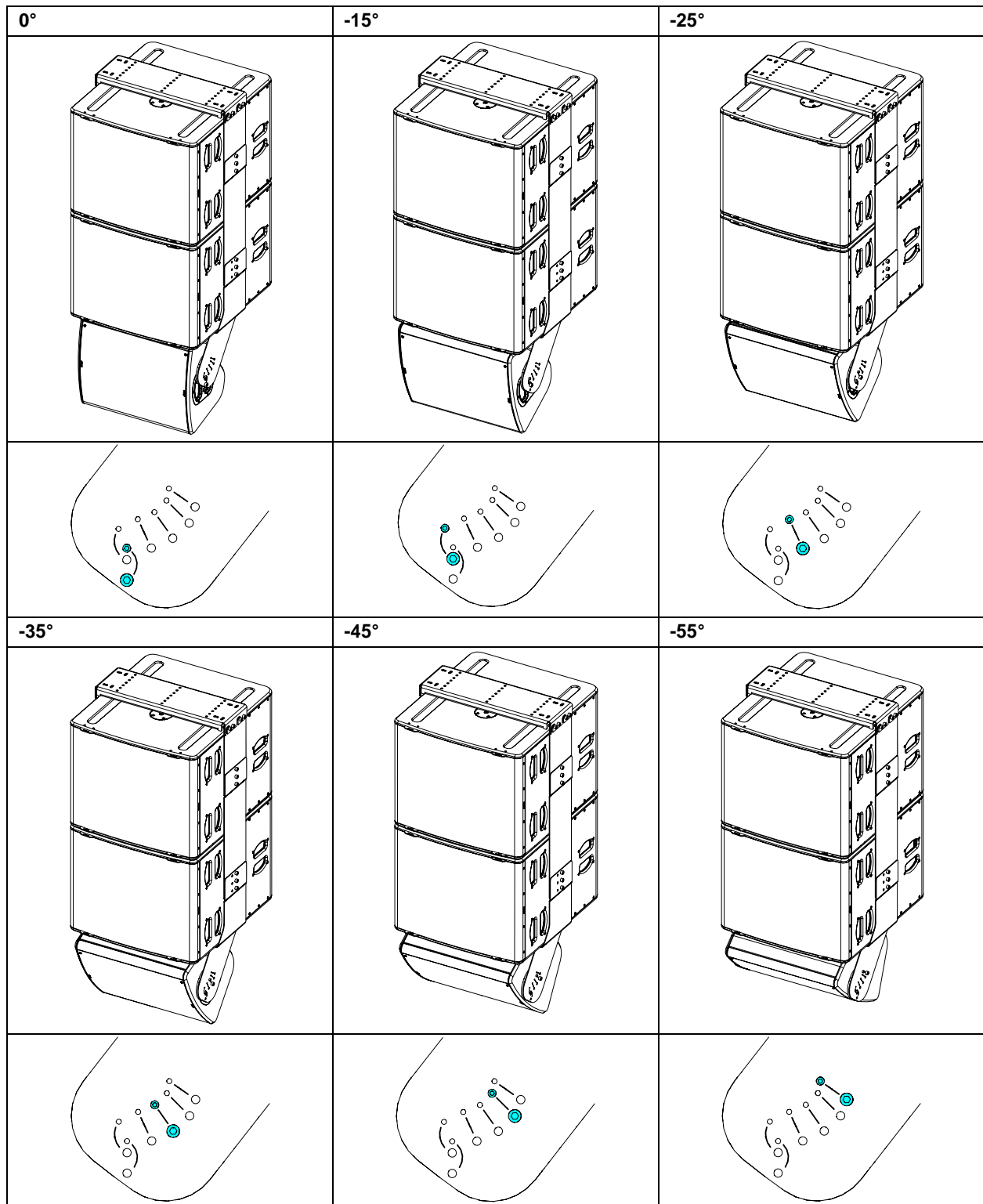
P15	Holes 1	Holes 2	Holes 3	Holes 4	Holes 5	Holes 6	Holes 7
0°	4,00°	2,00°	-0,25°	-2,50°	-4,50°	-6,75°	-8,75°
-15°	4,00°	2,00°	-0,25°	-2,50°	-4,50°	-6,75°	-8,75°
-25°	4,50°	2,25°	0,00°	-2,00°	-4,25°	-6,50°	-8,50°
-35°	4,75°	2,50°	0,50°	-1,75°	-4,00°	-6,00°	-8,25°
-45°	5,00°	2,75°	0,50°	-1,50°	-3,75°	-6,00°	-8,00°
-55°	5,00°	3,00°	0,75°	-1,50°	-3,75°	-5,75°	-8,00°

Note 1 : Holes 1 are those toward F.O.H.

Note 2 : All angles measurements have been done without cables weight.

Note 3 : Angles are in relation to Horizontal position (0°)

Standard inclinations :



- NEXO cannot accept responsibility for accidents caused by any factor other than defects in this product itself.
- Please check the web site nexo-sa.com for the latest update.