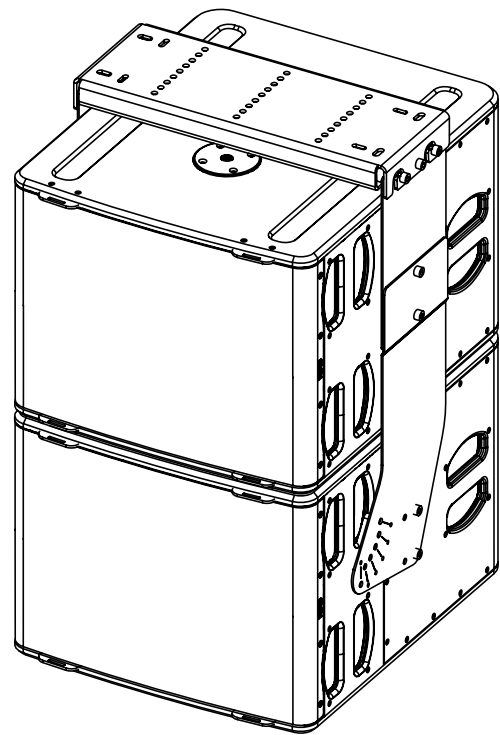
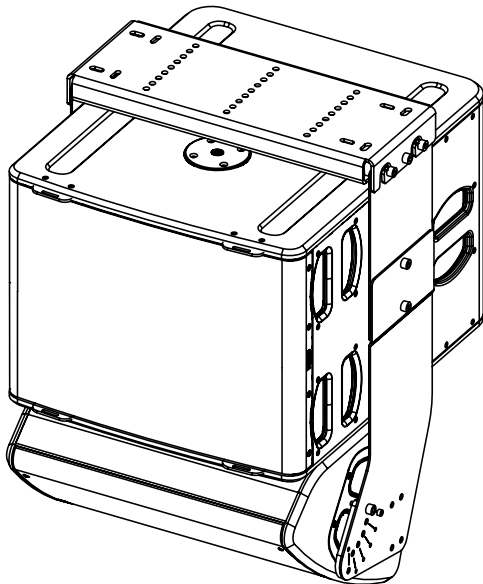
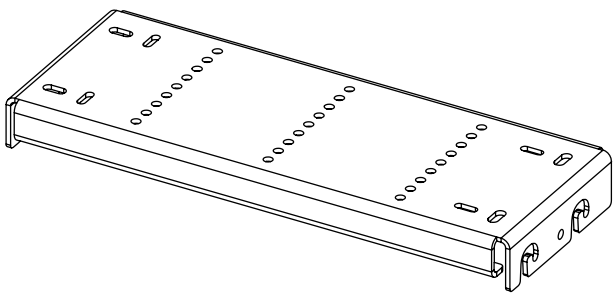
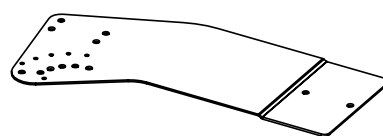
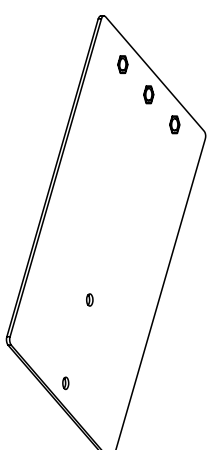
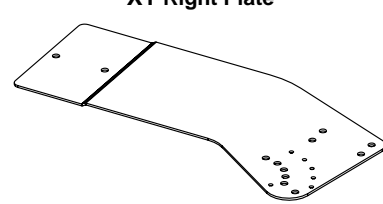
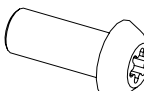
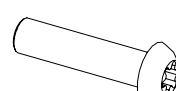
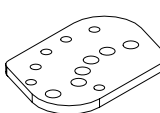
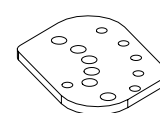


## P12 Under L15 Rigging System



### Contents:

<p><b>X1 Ceiling Plate</b></p> 		<p><b>X1 Left Plate</b></p> 		<p><b>X2 Main Plate</b></p> 
		<p><b>X1 Right Plate</b></p> 		
<p>X6 M10x30 (a) X2 M10x25 (a) X8 M10x18 (a)</p> 	<p>X2 M6x25 (a)</p> 	<p>X1 Left Pad</p> 	<p>X1 Right Pad</p> 	

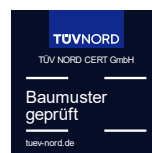
(a): The type of the screws may differ from the representation

**Weight: 16.5 kg / 36.5 lb**

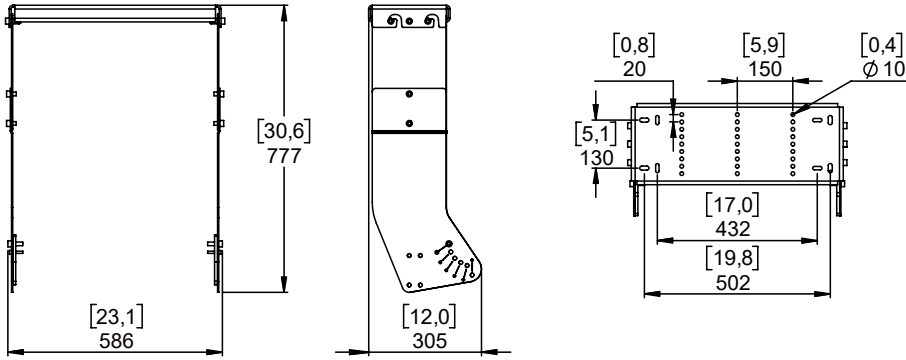


nexo-sa.com  
ZA du Pre de la Dame Jeanne  
60128 PLAILLY - France

- Read this document before using.
- Keep this document.
- Observe all warnings and cautions.



**Dimensions:**



For fixation, you have the choice between M8 and M10 (Fastener not provided)

**WARNINGS**

Ensure that the mounting location and fasteners can support at least 4 times the weight of all the installed cabinets, auxiliary equipment and cables.

Use only the provided screws (thread lock coated) and accessories.

For free-hanging installation, fixing at one point in the center is permissible.

For rigid installation with tilt angle, fixation at two outer hanging points necessary.

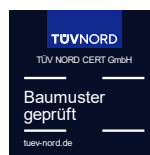
**Mounting of the L15**

<p>Prepare the Main plates by screwing the M10x30 screws on the outer holes, do not tighten completely and leave at least 6mm. Assemble the Plates on each side of L15 using the M10x18 screws.</p>	<p>Place the assembly below the ceiling plate.</p>	<p>Tighten the outer screws. Secure with the 2 provided M10x30 screws.</p>

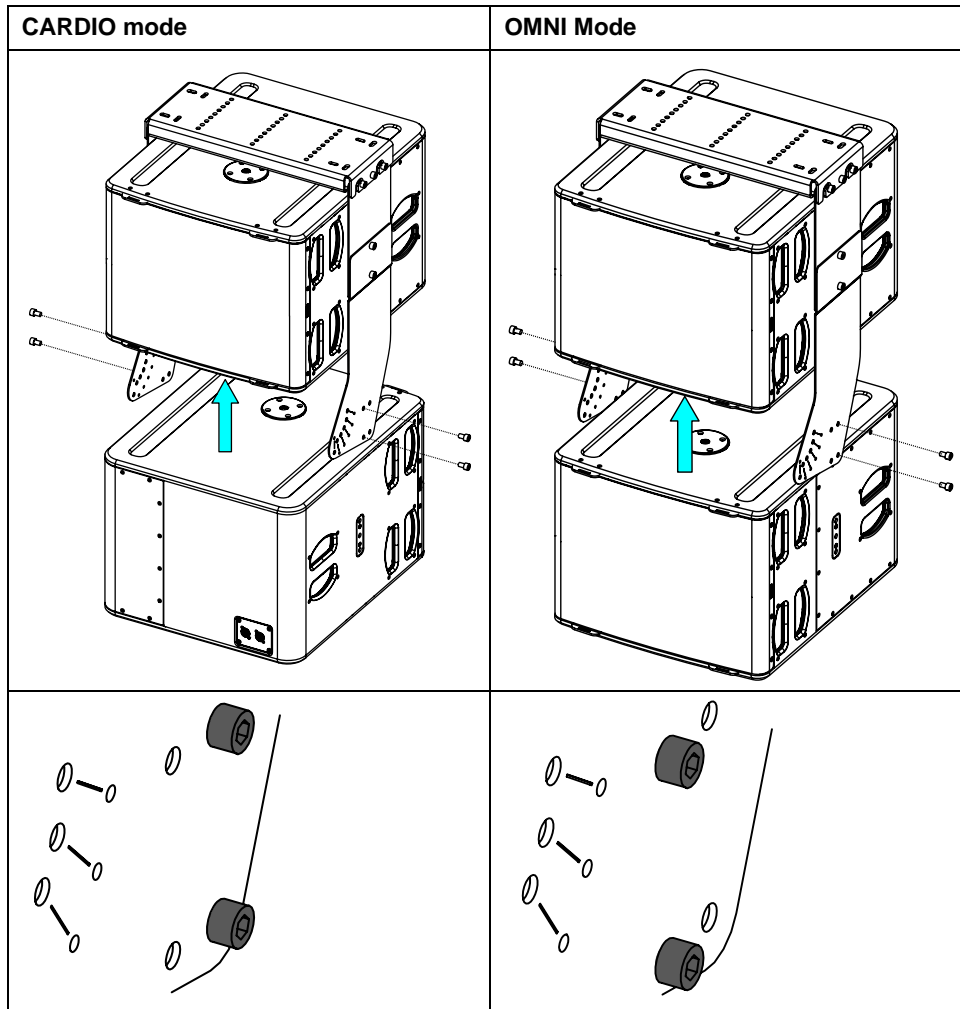


nexo-sa.com  
ZA du Pre de la Dame Jeanne  
60128 PLAILLY - France

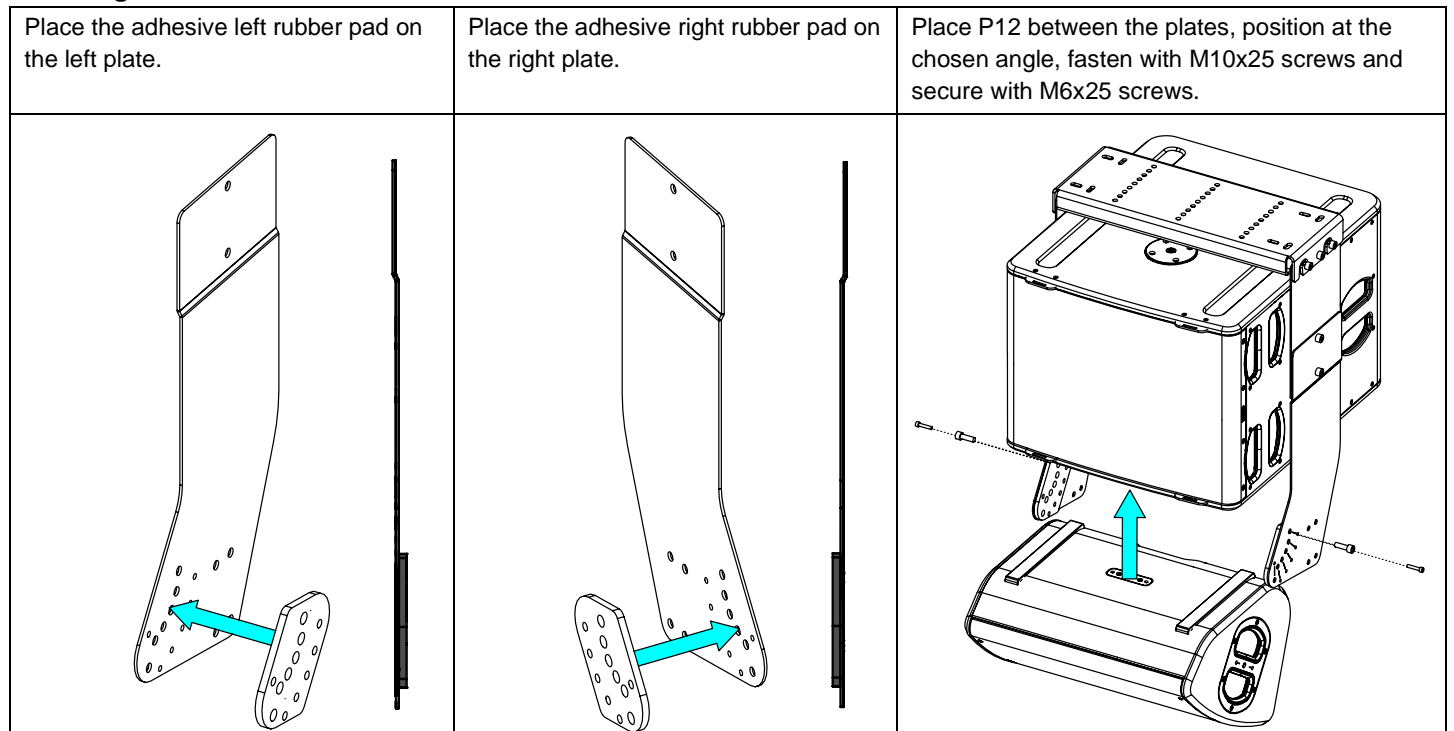
- Read this document before using.
- Keep this document.
- Observe all warnings and cautions.



**Mounting a second L15: Use M10x18 screws**



**Mounting a P12 :**



**PNI-P12TOL15 frame tilt (+/-1°).**

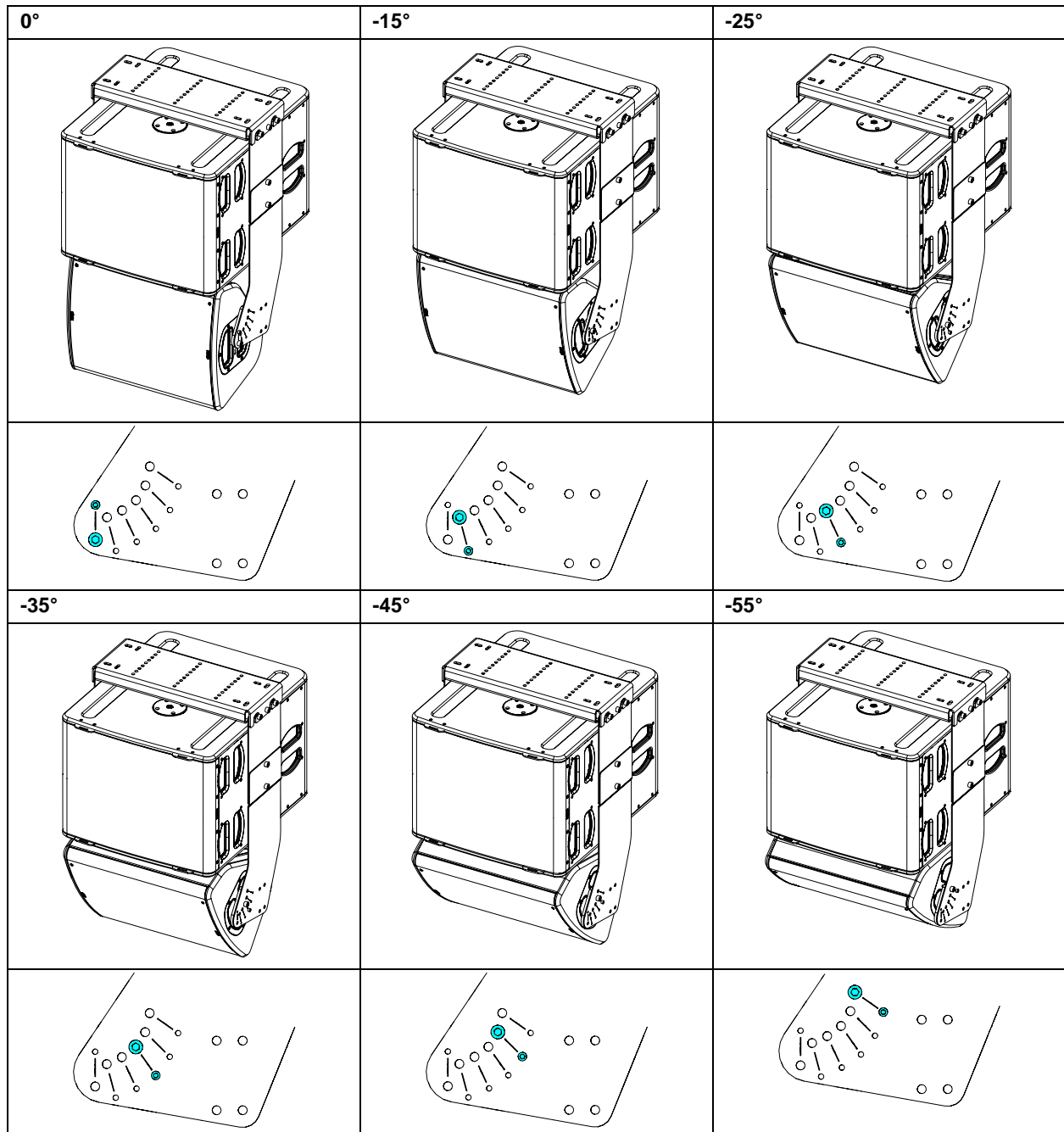
P12	Holes 1	Holes 2	Holes 3	Holes 4	Holes 5	Holes 6	Holes 7	Holes 8	Holes 9
0°	7°	4°	2°	-1°	-4°	-7°	-10°	-14°	-18°
-15°	7°	4°	2°	-1°	-4°	-7°	-10°	-14°	-18°
-25°	8°	5°	2°	-1°	-3°	-7°	-10°	-14°	-17°
-35°	8°	5°	2°	-1°	-3°	-7°	-10°	-14°	-17°
-45°	9°	6°	3°	0°	-2°	-6°	-9°	-13°	-16°
-55°	10°	7°	4°	1°	-2°	-5°	-8°	-12°	-16°

Note 1 : Holes 1 are those toward F.O.H.

Note 2 : All angles measurements have been done without cables weight.

Note 3 : Angles are in relation to Horizontal position ( 0° )

**Standard inclinations :**



- NEXO cannot accept responsibility for accidents caused by any factor other than defects in this product itself.
- Please check the web site [nexo-sa.com](http://nexo-sa.com) for the latest update.