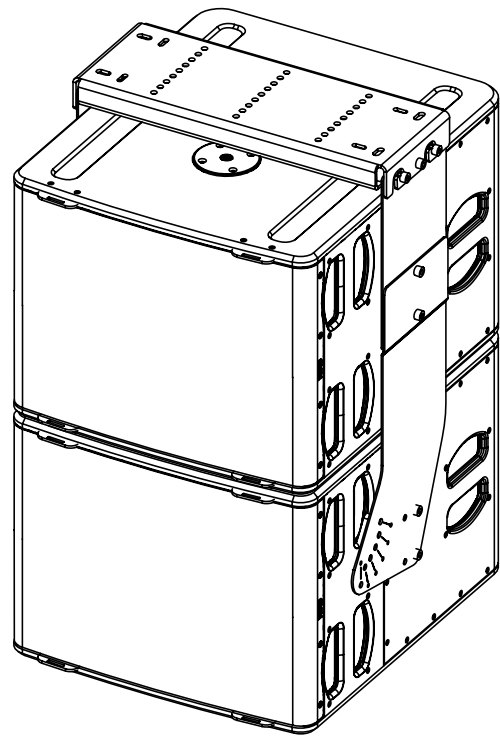
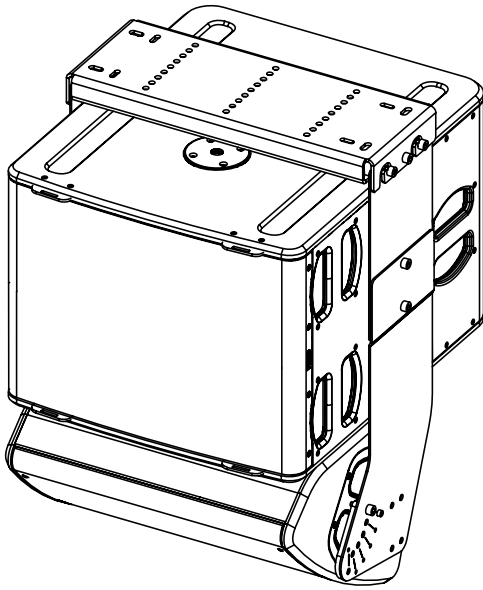
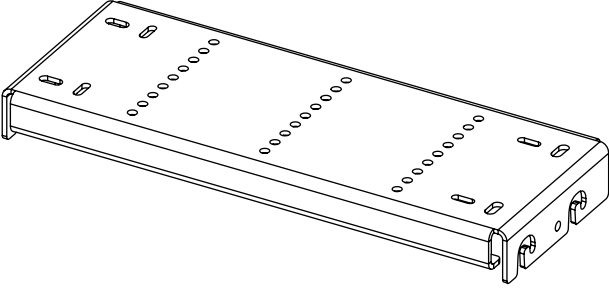
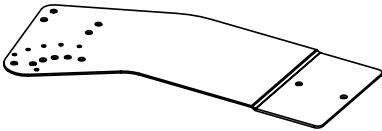
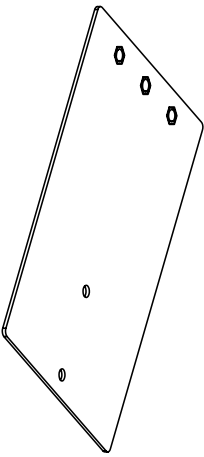
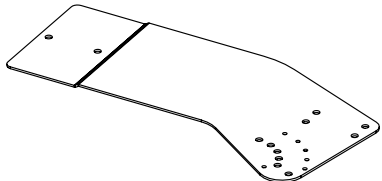
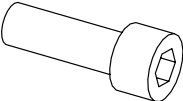
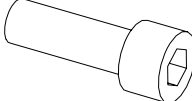
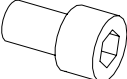
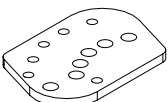
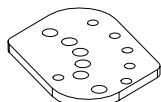


P12 Under L15 Rigging System



Contents:

<p>X1 Ceiling Plate</p> 			<p>X1 Left Plate</p> 		<p>X2 Main Plate</p> 
			<p>X1 Right Plate</p> 		
<p>X8 M10x30</p> 	<p>X8 M10x16</p> 	<p>X2 M6x30</p> 	<p>X1 Left Pad</p> 	<p>X1 Right Pad</p> 	

Weight: 16.5 kg / 36.5 lb

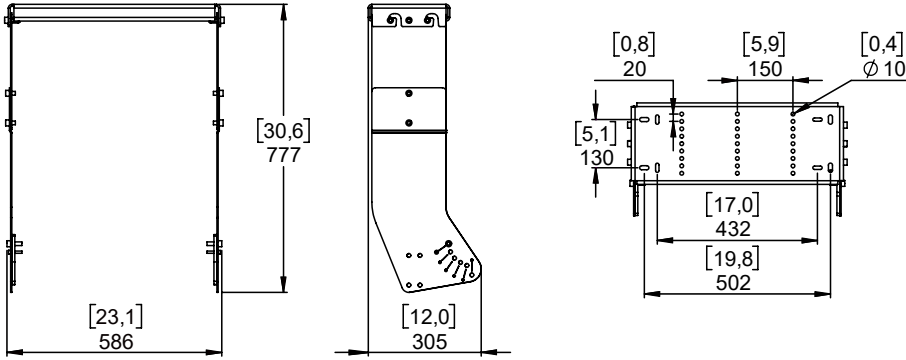


nexo-sa.com
 ZA du Pre de la Dame Jeanne
 60128 PLAILLY - France

- Read this document before using.
- Keep this document.
- Observe all warnings and cautions.



Dimensions:



For fixation, you have the choice between M8 and M10

WARNINGS

Ensure that the mounting location and fasteners can support at least 4 times the weight of all the installed cabinets, auxiliary equipment and cables.

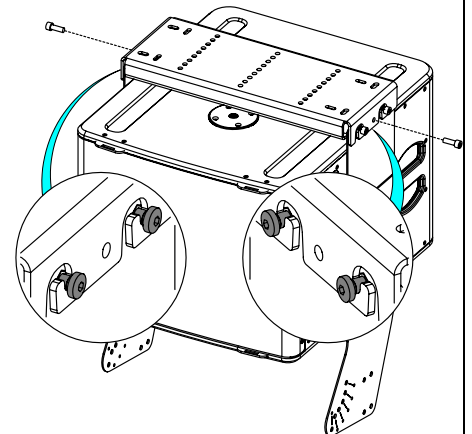
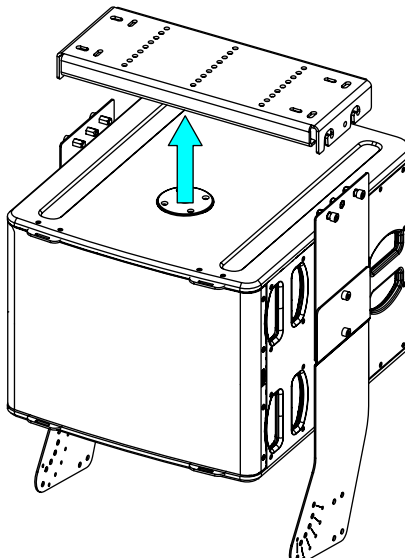
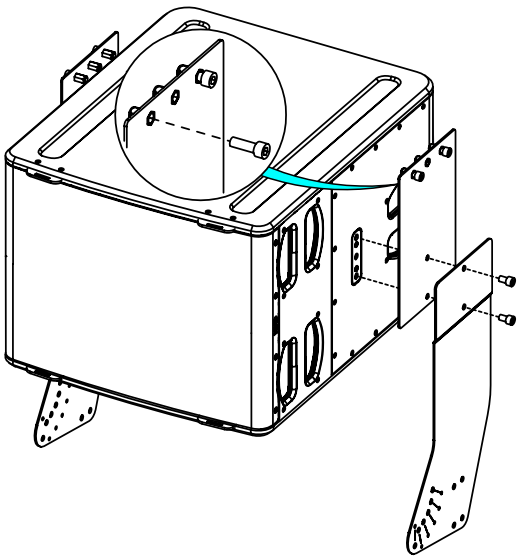
Use only the provided screws (thread lock coated) and accessories.

Mounting of the L15

Prepare the Main plates by screwing the M10x30 screws on the outer holes, do not tighten completely and leave at least 6mm. Assemble the Plates on each side of L15 using the M10x16 screws.

Place the assembly below the ceiling plate.

Tighten the outer screws. Secure with the 2 provided M10x30 screws.

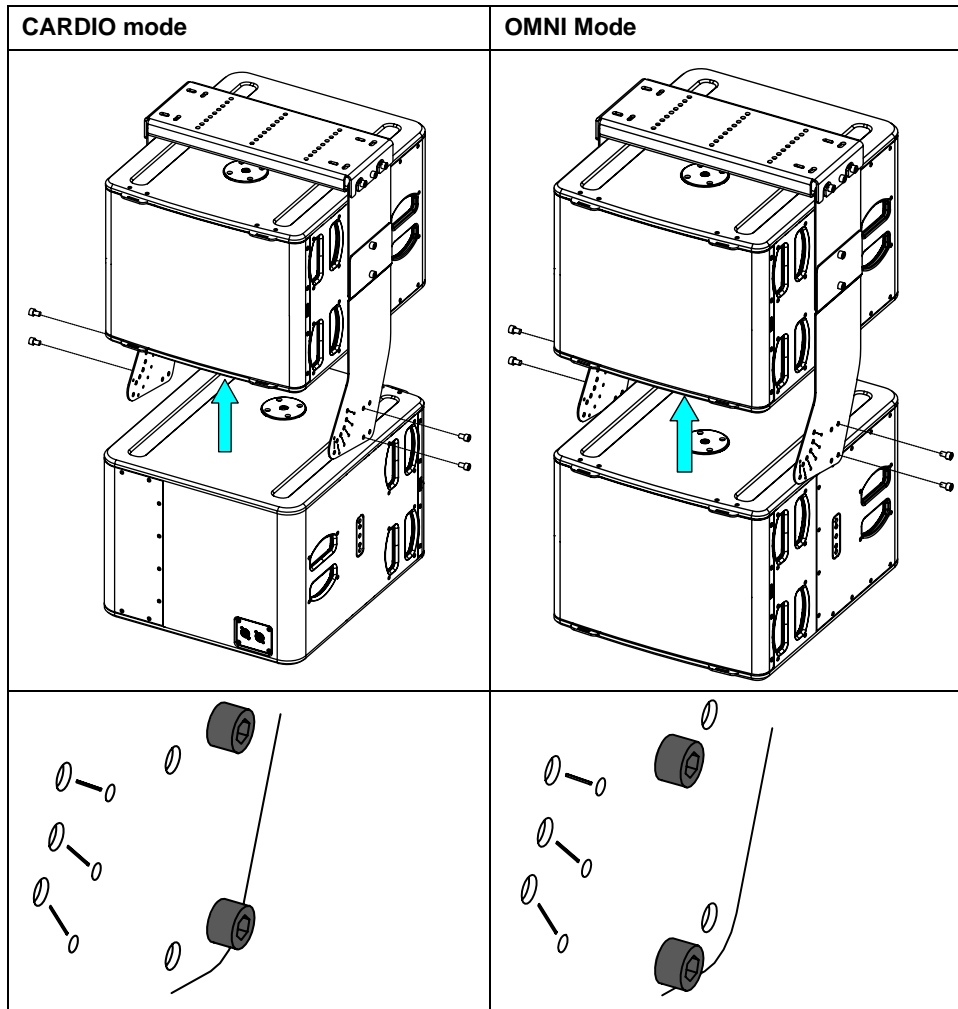


nexo-sa.com
ZA du Pre de la Dame Jeanne
60128 PLAILLY - France

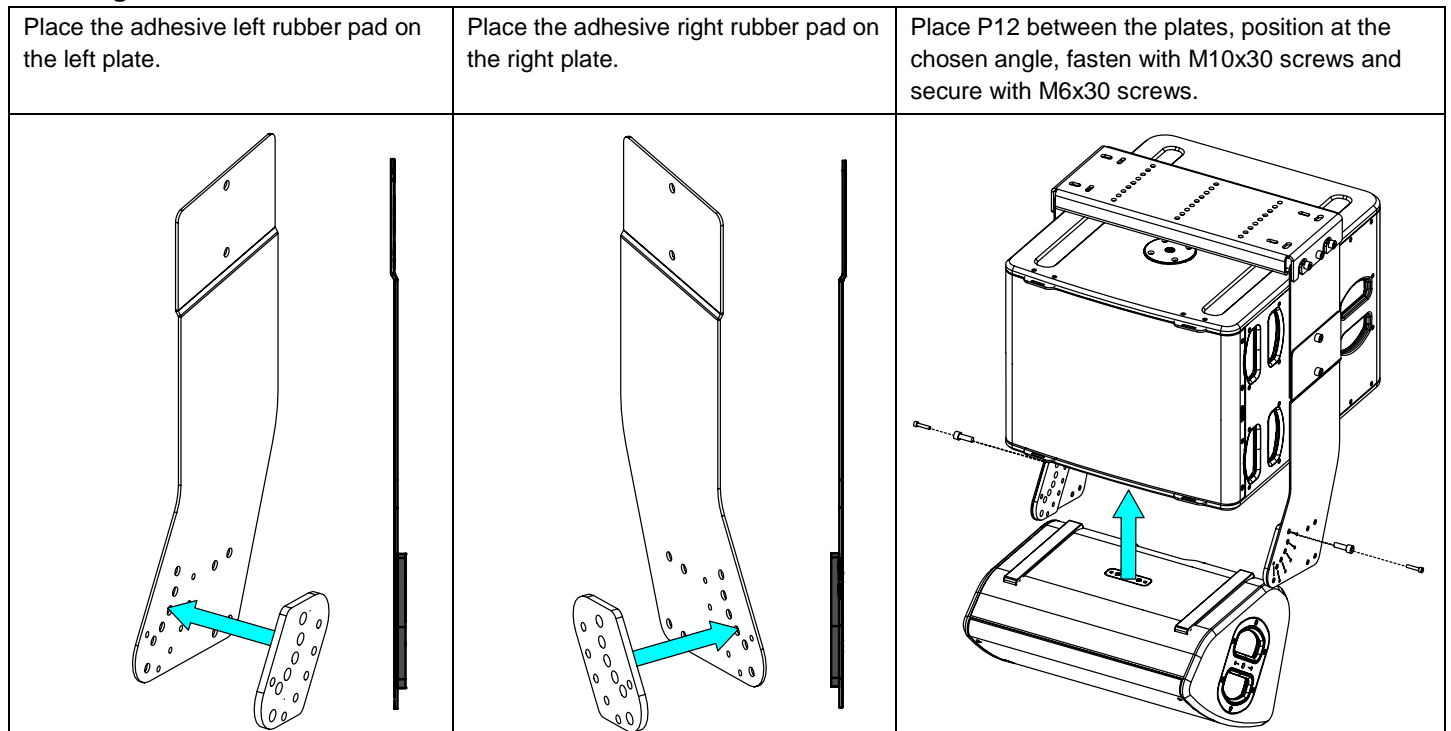
- Read this document before using.
- Keep this document.
- Observe all warnings and cautions.



Mounting a second L15: Use M10x16 screws



Mounting a P12 :



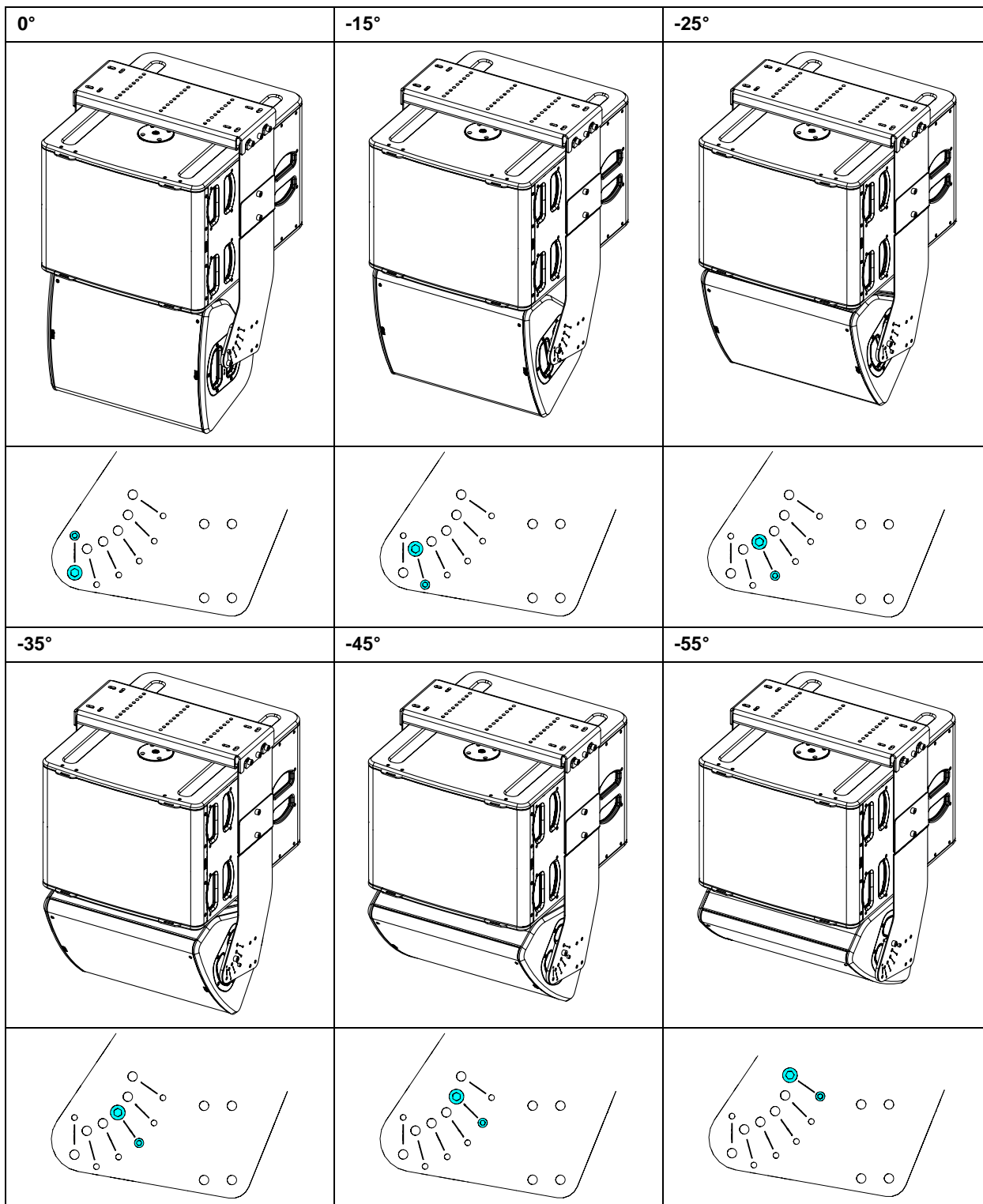
NEXO

nexo-sa.com
 ZA du Pre de la Dame Jeanne
 60128 PLAILLY - France

- Read this document before using.
- Keep this document.
- Observe all warnings and cautions.



Standard inclinations :



- NEXO cannot accept responsibility for accidents caused by any factor other than defects in this product itself.
- Please check the web site nexo-sa.com for the latest update.