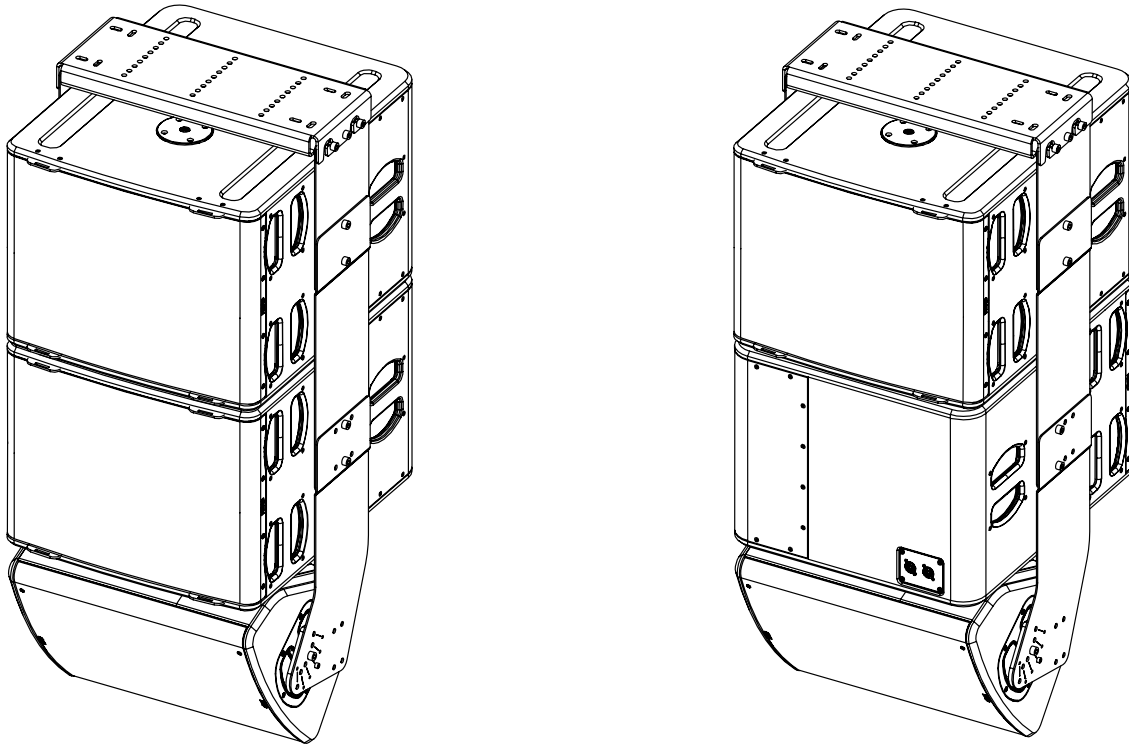
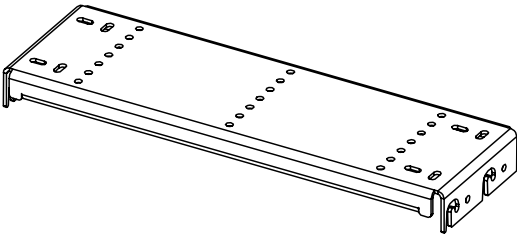


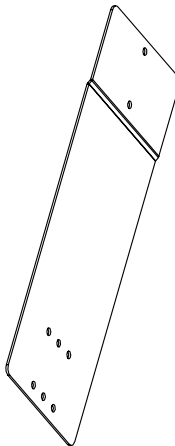
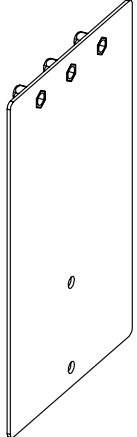
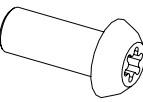
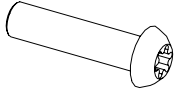
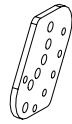
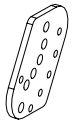


P12 Under 2xL15 Rigging System



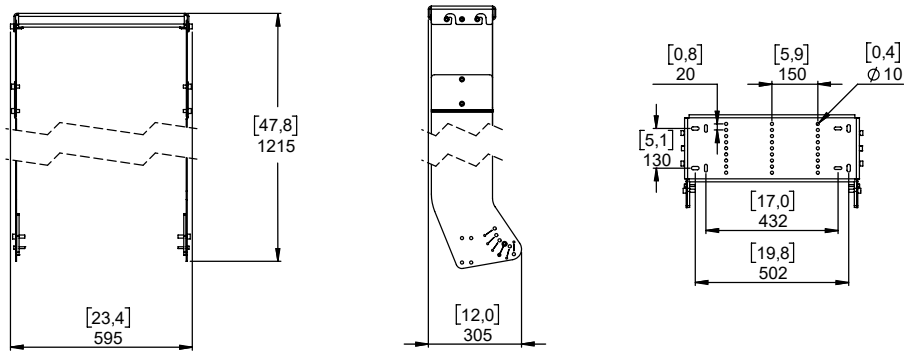
Contents:

<p>X1 Ceiling Plate</p> 	<p>X1 Left Plate</p> 	<p>X1 Right Plate</p> 	<p>X2 L15 Plate</p> 	<p>X2 Main Plate</p> 
<p>X6 M10x30 (a) X2 M10x25 (a) X8 M10x18 (a)</p> 	<p>X2 M6x25 (a)</p> 	<p>X1 Left spacer</p> 	<p>X1 Left spacer</p> 	

(a): The type of the screws may differ from the representation

Weight: 22.5 kg / 49.5 lb

Dimensions:



For fixation, you have the choice between M8 and M10 (Fasteners not provided)

WARNINGS

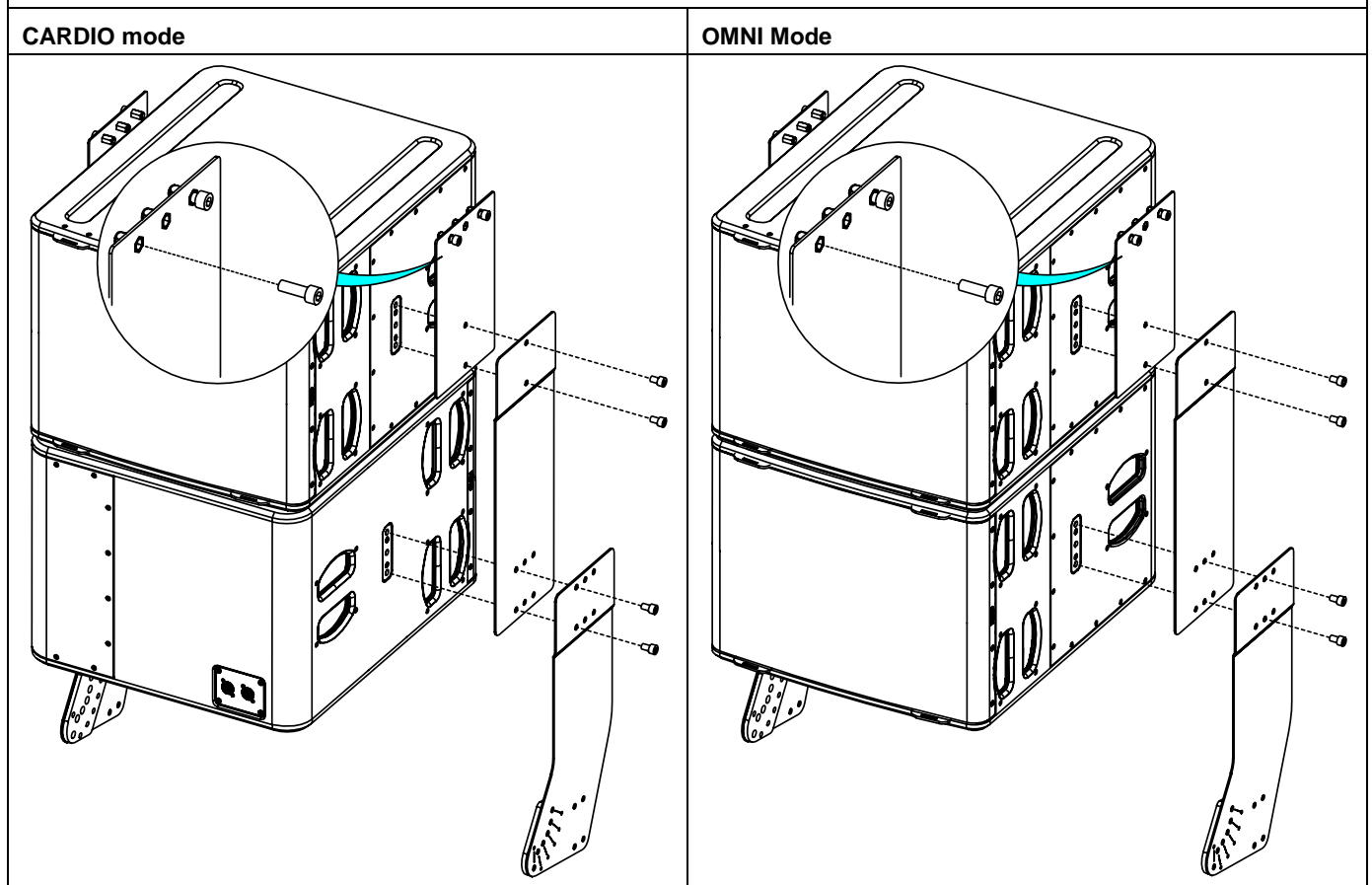
Ensure that the mounting location and fasteners can support at least 4 times the weight of all the installed cabinets, auxiliary equipment and cables.

Use only the provided screws (thread lock coated) and accessories.

Implementation of L15

Prepare the Main plates by screwing the M10x30 screws on the holes (see picture below), do not tighten completely and leave at least 6mm.

Assemble the Plates on each side of L15 using the M10x18 screws.



NEXO

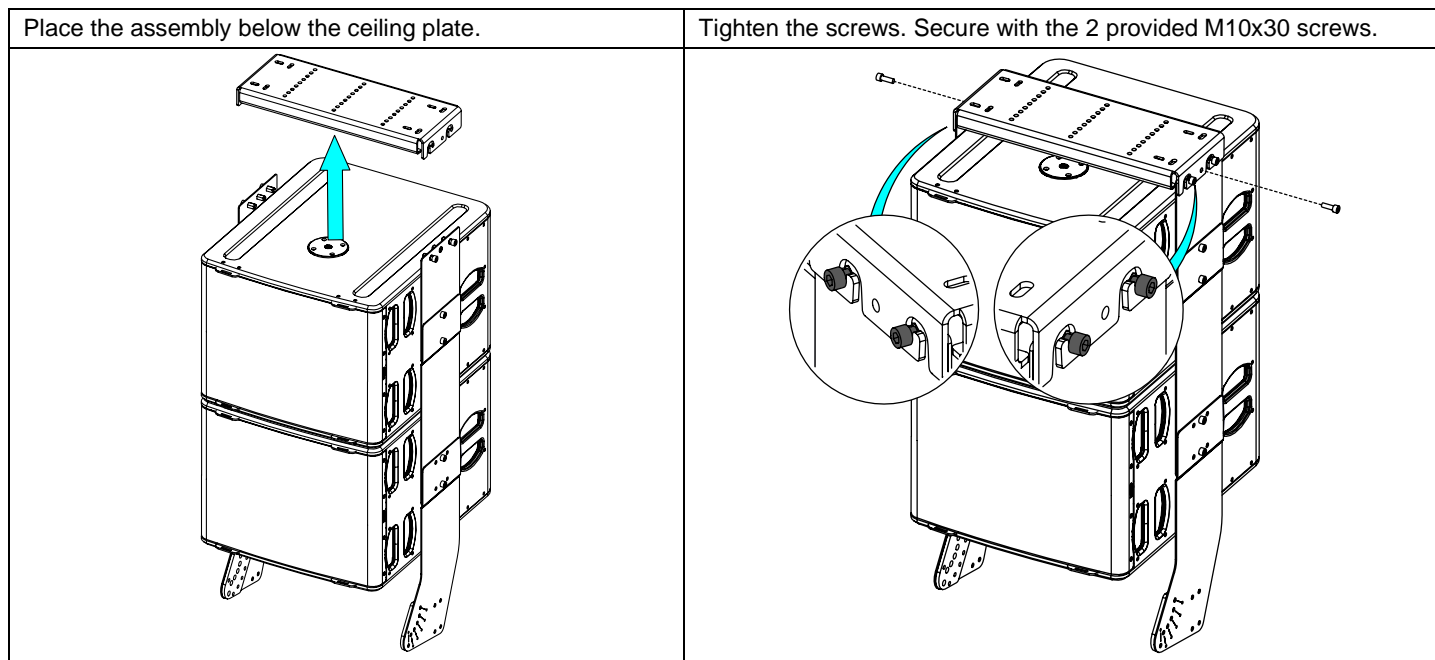
nexo-sa.com

ZA du Pre de la Dame Jeanne
60128 PLAILLY - France

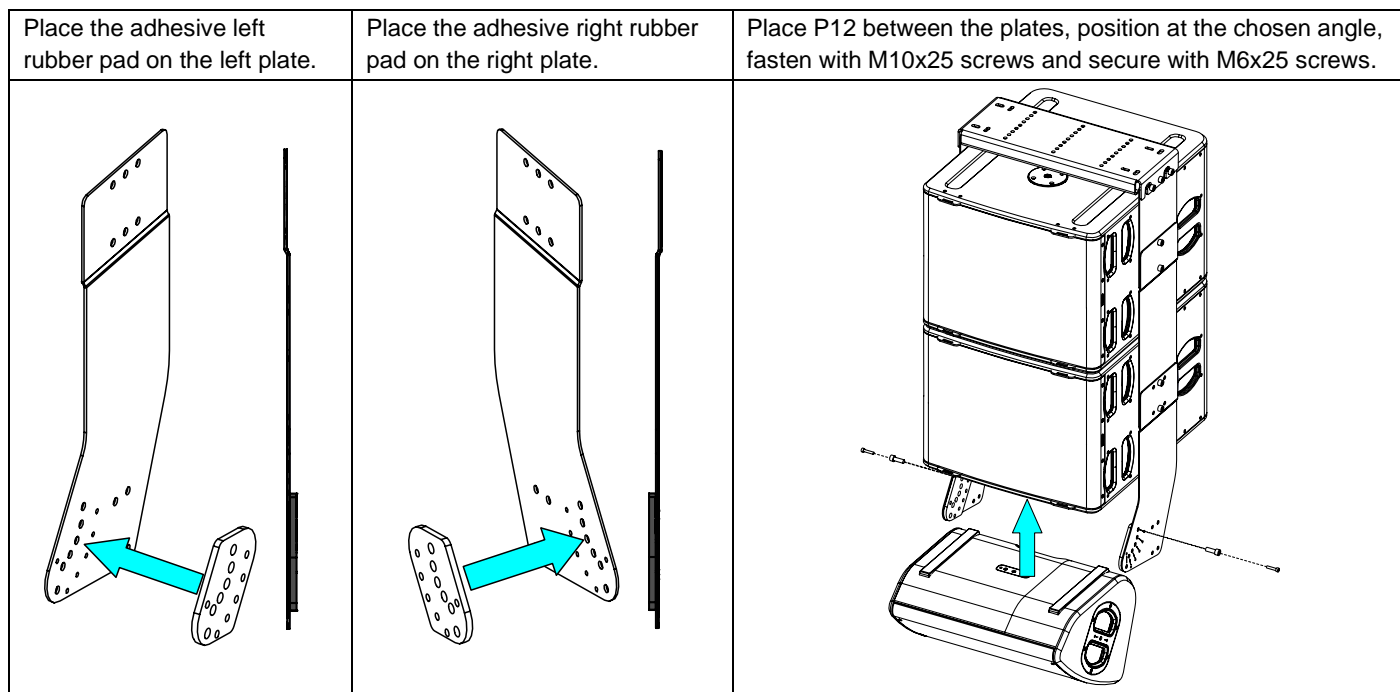
- Read this document before using.
- Keep this document.
- Observe all warnings and cautions.



Assembly on the ceiling plate



Implementation of P12



PNI-P12TO2L15 frame tilt

P12	Holes 1	Holes 2	Holes 3	Holes 4	Holes 5	Holes 6	Holes 7	Holes 8	Holes 9
0°	6.5°	4.5°	2.5°	0.5°	-2°	-4°	-6°	-9°	-11°
-15°	6.5°	4.5°	2.5°	0.5°	-2°	-4°	-6°	-9°	-10.5°
-25°	7°	5°	2.5°	0.5°	-2°	-4°	-6°	-9°	-10.5°
-35°	7.5°	5.5°	3°	0.5°	-1.5°	-3.5°	-6°	-8.5°	-10°
-45°	8°	6°	3.5°	1°	-1°	-3°	-5.5°	-8°	-10°
-55°	8.5°	6°	3.5°	1°	-1°	-3°	-5.5°	-8°	-10°

Note 1 : Holes 1 are those toward F.O.H.

Note 2 : All angles measurements have been done without cables weight.

Note 3 : Angles are in relation to Horizontal position (0°)

NEXO

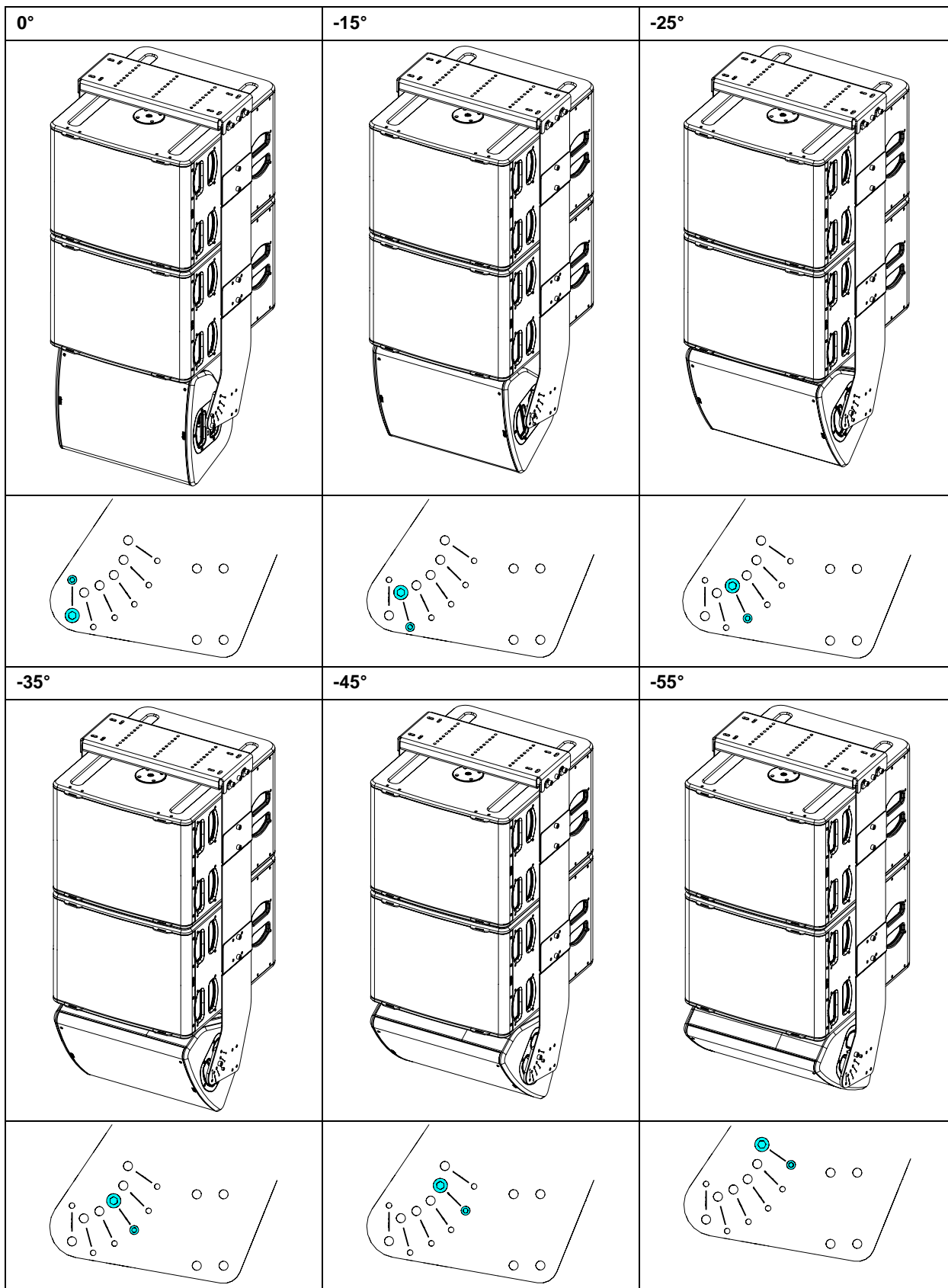
nexo-sa.com

ZA du Pre de la Dame Jeanne
60128 PLAILLY - France

- Read this document before using.
- Keep this document.
- Observe all warnings and cautions.



Standard inclinations :



- NEXO cannot accept responsibility for accidents caused by any factor other than defects in this product itself.
- Please check the web site nexo-sa.com for the latest update.

NEXO

nexo-sa.com

ZA du Pre de la Dame Jeanne
60128 PLAILLY - France

- Read this document before using.
- Keep this document.
- Observe all warnings and cautions.

