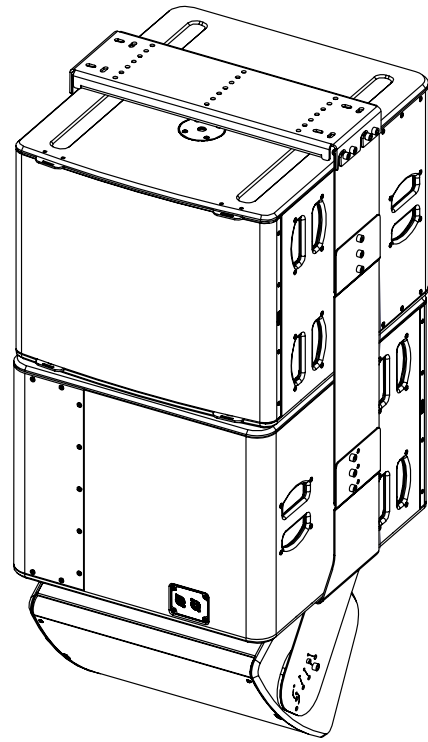
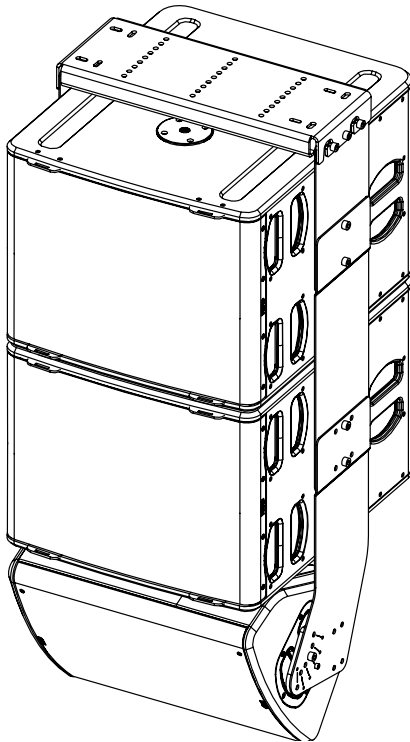
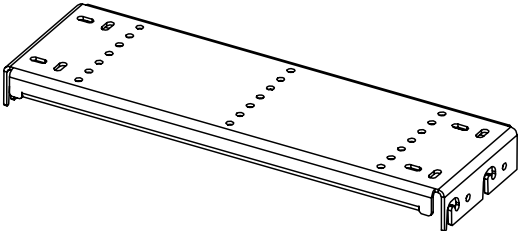


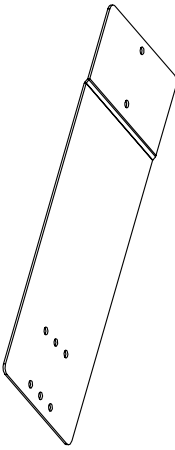
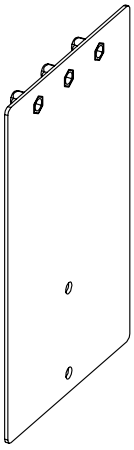
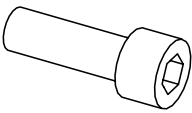
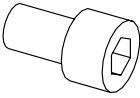
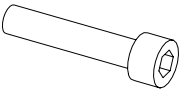
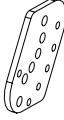
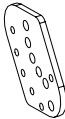


P12 Under 2xL15 Rigging System

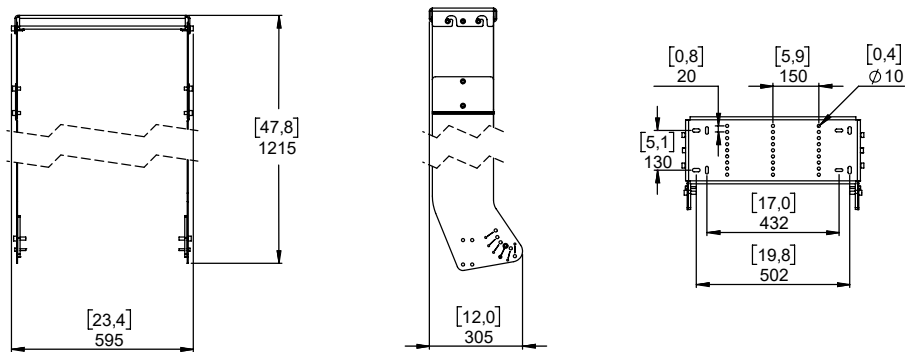


Contents:

X1 Ceiling Plate 		X1 Left Plate 	X1 Right Plate 	X2 L15 Plate 	X2 Main Plate 
X8 M10x30 	X8 M10x16 	X2 M6x30 	X1 Left spacer 	X1 Right spacer 	

Weight: 22.5 kg / 49.5 lb

Dimensions:



For fixation, you have the choice between M8 and M10 (Fasteners not provided)

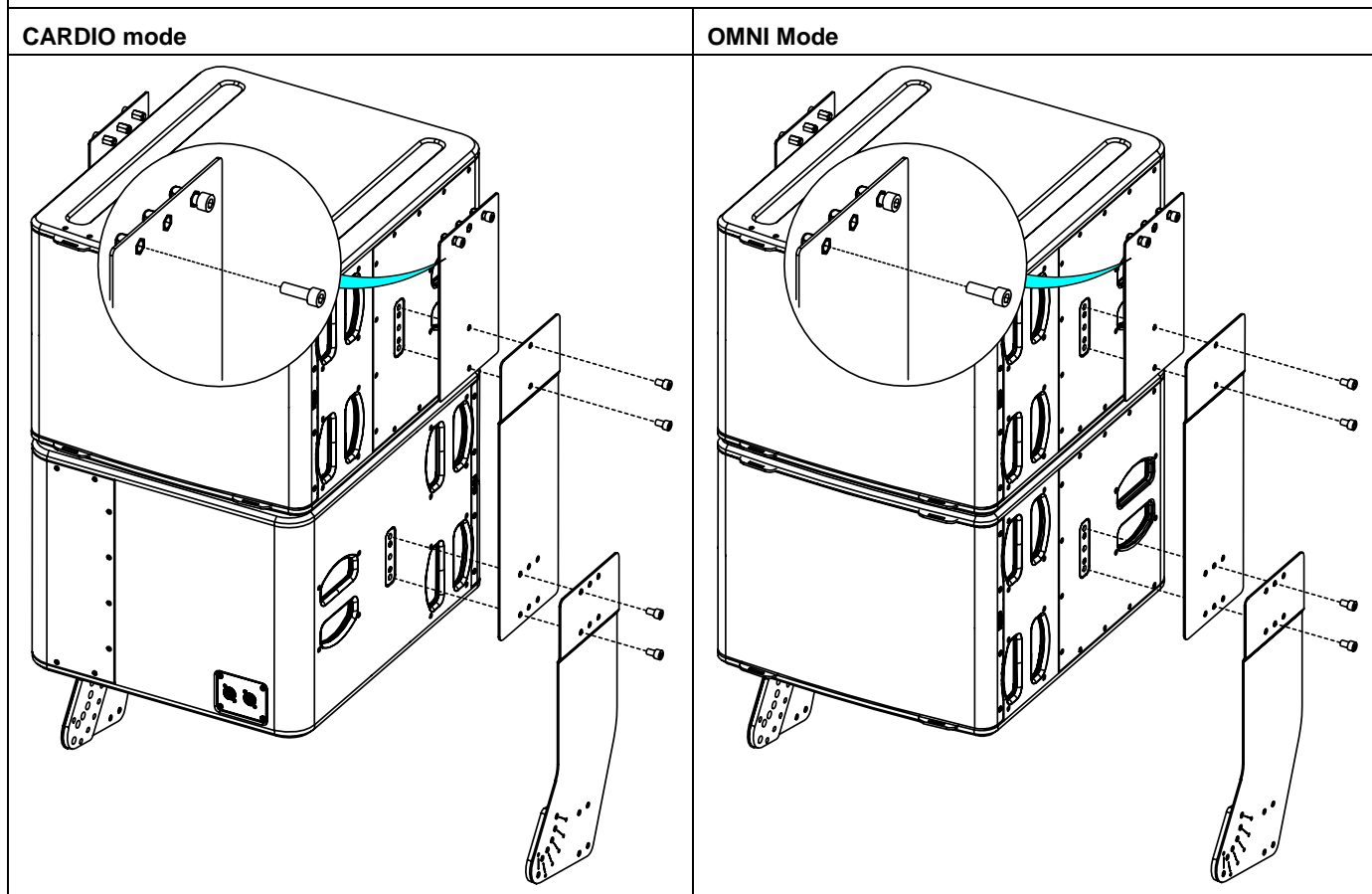
WARNINGS

Ensure that the mounting location and fasteners can support at least 4 times the weight of all the installed cabinets, auxiliary equipment and cables.
 Use only the provided screws (thread lock coated) and accessories.

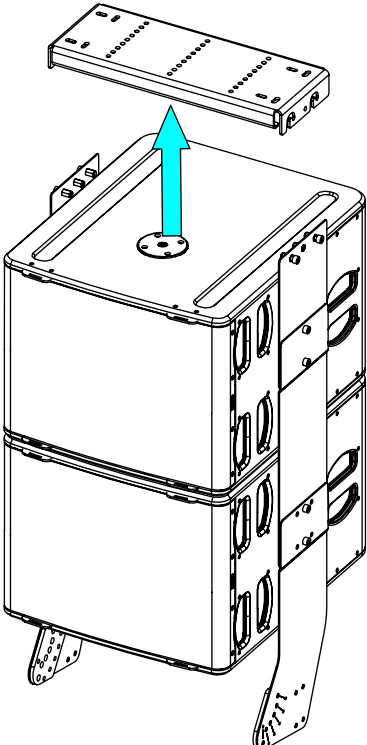
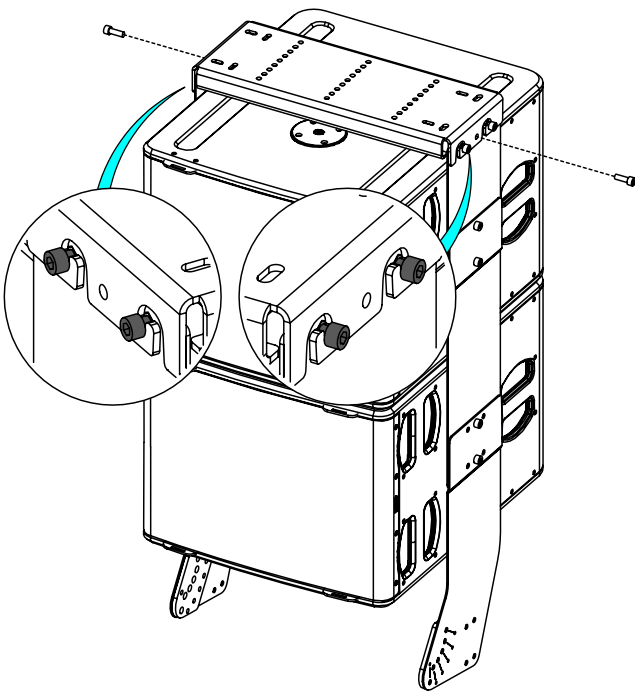
Implementation of L15

Prepare the Main plates by screwing the M10x30 screws on the holes (see picture below), do not tighten completely and leave at least 6mm.

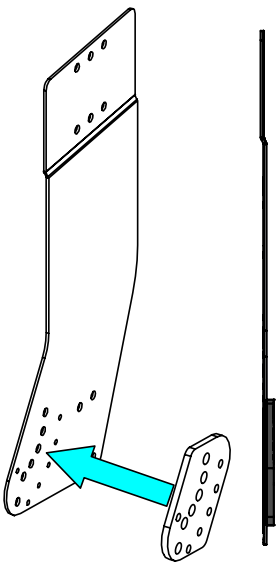
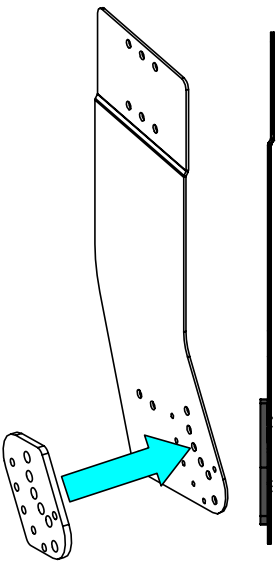
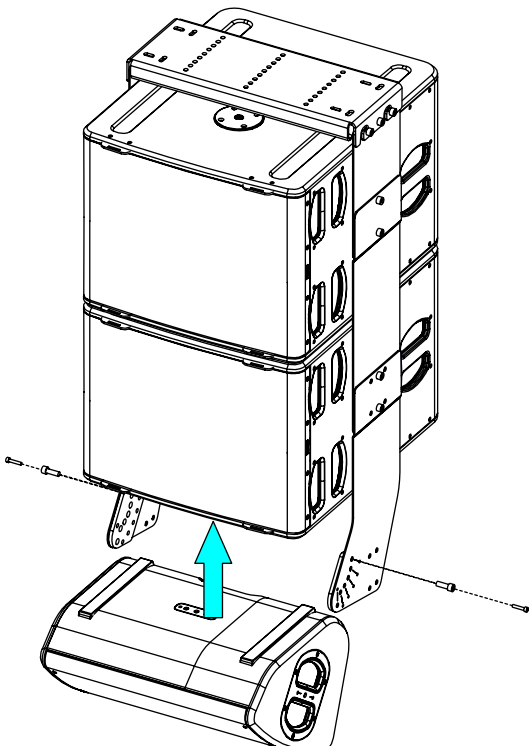
Assemble the Plates on each side of L15 using the M10x16 screws.



Assembly on the ceiling plate

Place the assembly below the ceiling plate.	Tighten the screws. Secure with the 2 provided M10x30 screws.
	

Implementation of P12

Place the adhesive left rubber pad on the left plate.	Place the adhesive right rubber pad on the right plate.	Place P12 between the plates, position at the chosen angle, fasten with M10x30 screws and secure with M6x30 screws.
		

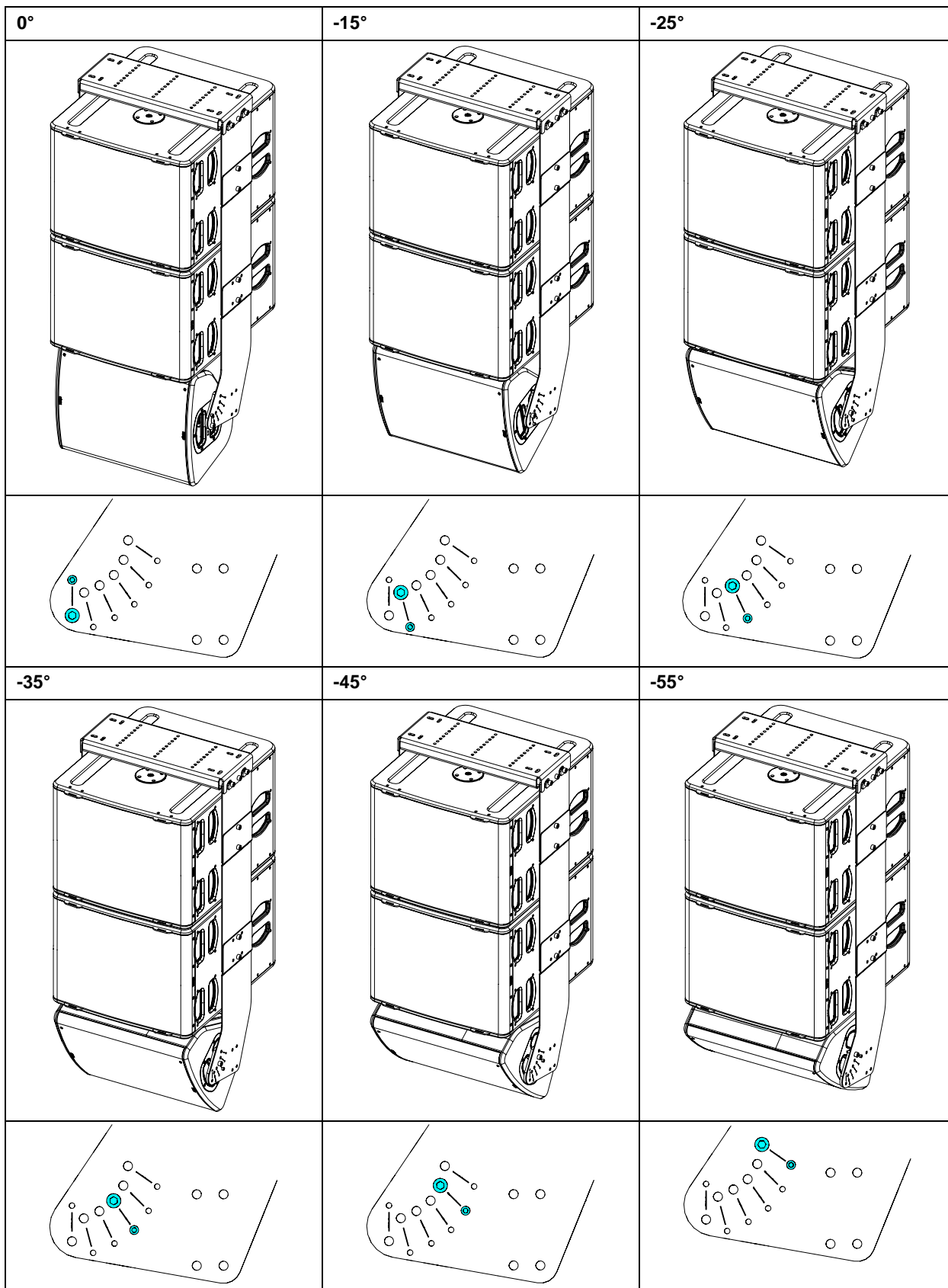
NEXO

nexo-sa.com
 ZA du Pre de la Dame Jeanne
 60128 PLAILLY - France

- Read this document before using.
- Keep this document.
- Observe all warnings and cautions.



Standard inclinations :



- NEXO cannot accept responsibility for accidents caused by any factor other than defects in this product itself.
- Please check the web site nexo-sa.com for the latest update.

NEXO

nexo-sa.com

ZA du Pre de la Dame Jeanne
60128 PLAILLY - France

- Read this document before using.
- Keep this document.
- Observe all warnings and cautions.

