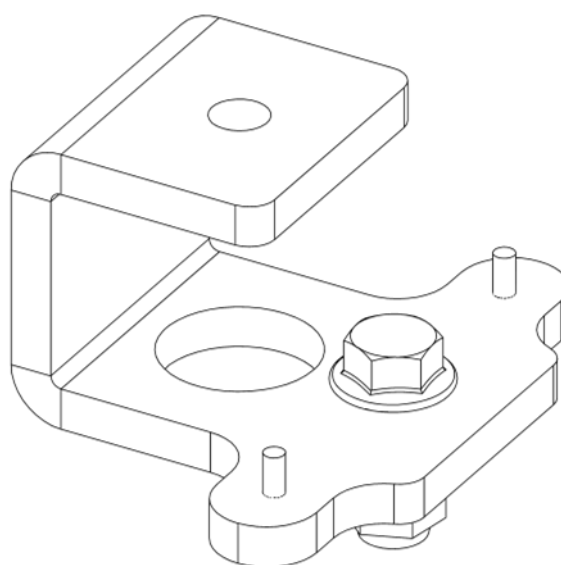
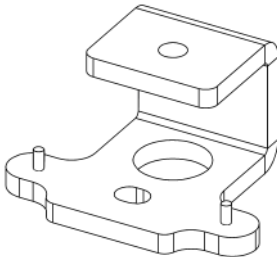
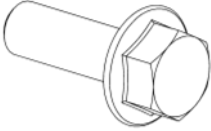



Ceiling Adapter for PLUS series



Contents:

<p>X1</p> 	<p>X1 M10x35</p> 	<p>X1 M10</p> 
--	---	--

Weight: 0.6 kg / 1.4 lb

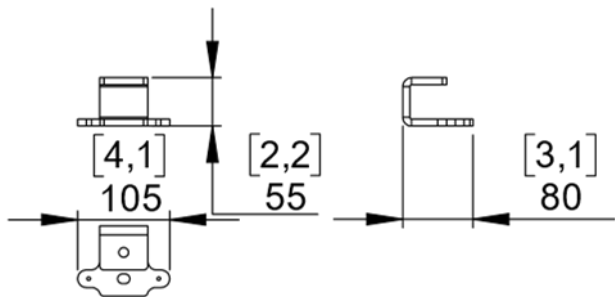


nexo-sa.com
ZA du Pre de la Dame Jeanne
60128 PLAILLY - France

- Read this document before using.
- Keep this document.
- Observe all warnings and cautions.



Dimensions:

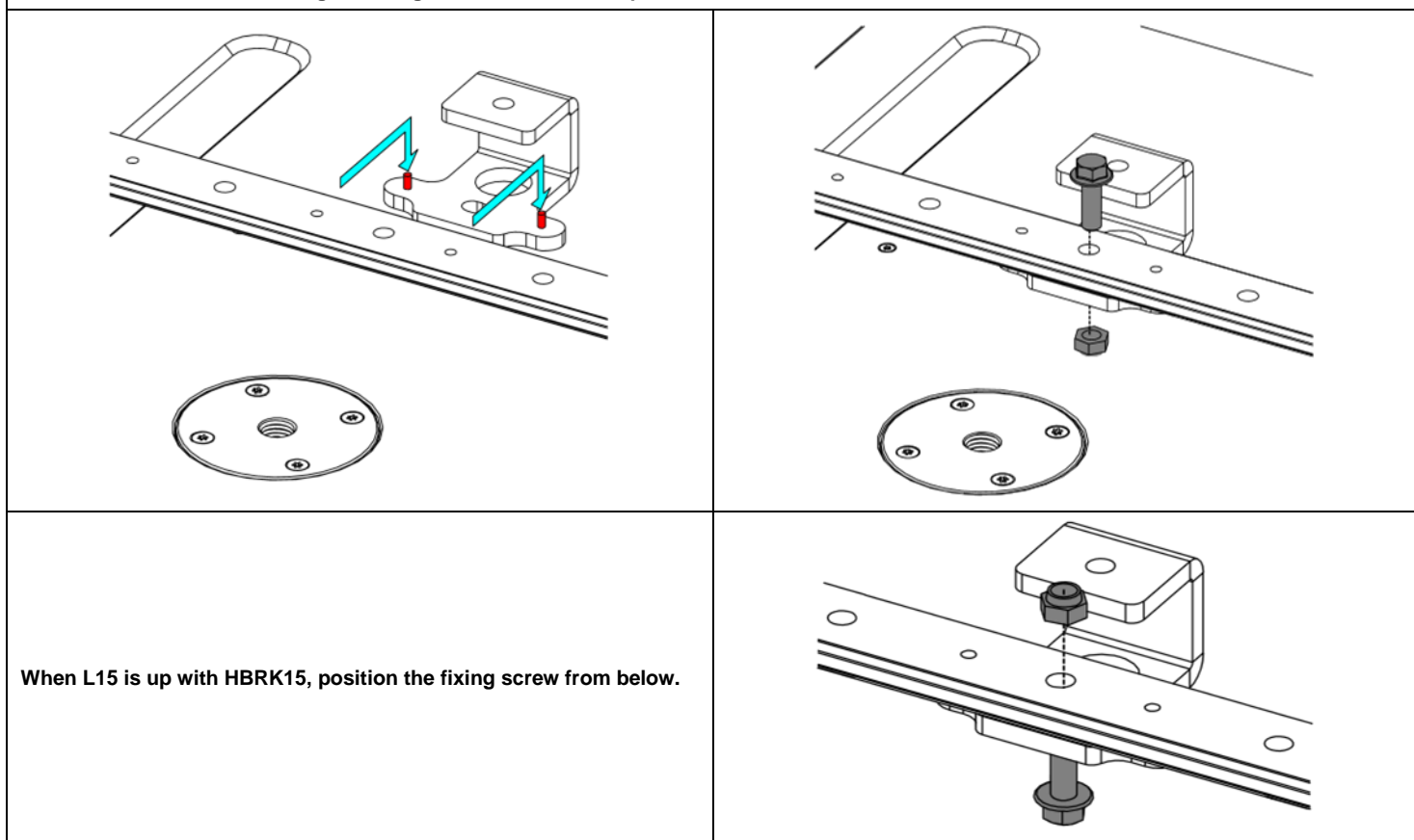


Fixing hole: M10 (3/8)

Use with HBRK – VBRK:

Screw CLADAPT to the ceiling. Fasteners not provided, please select screws and mounting location supporting 4 times the system weight.

Place on CLADAPT, use the 2 guides. Tight with the fasteners provided with CLADAPT



- NEXO cannot accept responsibility for accidents caused by any factor other than defects in this product itself.
- Please check the web site nexo-sa.com for the latest update.



nexo-sa.com
 ZA du Pre de la Dame Jeanne
 60128 PLAILLY - France

- Read this document before using.
- Keep this document.
- Observe all warnings and cautions.

