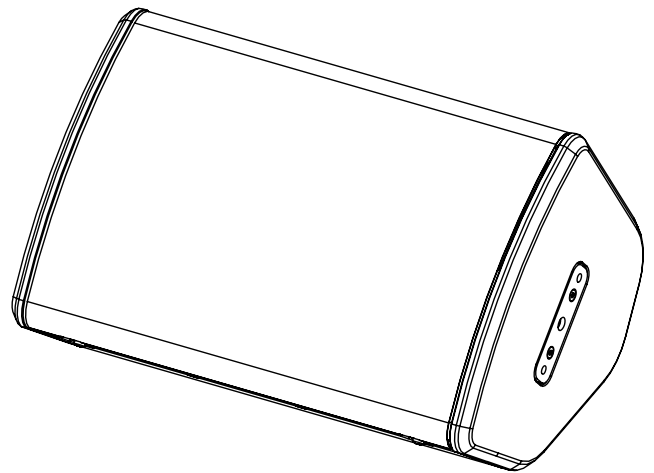
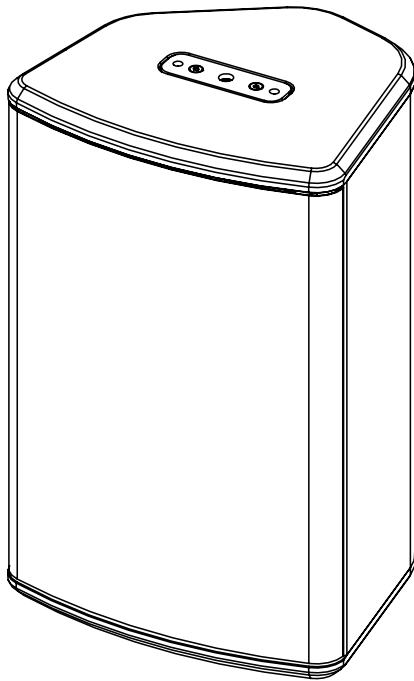


P8-I



User manual

TABLE OF CONTENTS

TABLE OF CONTENTS	2
WARNINGS	3
EQUIPMENT	4
DESCRIPTION	5
PRESET	6
HF DIRECTIVITY	8
CROSSOVER FREQUENCY	8
ACCESSORIES	9
ARRAY EQ	13
MAINTENANCE	14
TECHNICAL SPECIFICATIONS	16
USER NOTES	17

WARNINGS

PRECAUTIONS

Do not open the speaker, do not try to disassemble it neither to modify it in any way. The system doesn't include any user-repairable part. If the system seems to be malfunctioning or damaged, stop using it at once and have it repaired by a NEXO qualified technician.

Do not expose the system directly to the sun or to the rain, do not immerse it into fluids, do not place objects filled with liquid on the system. If a liquid gets into the system, please have it inspected by a NEXO qualified technician.

When flying outdoor systems ensure that the system is not exposed to excessive wind or snow loads and is protected from rainfall.

In case of wind greater than 8 on Beaufort scale (72km/h – 45mph), a touring system has to be landed or an additional securing has to be implanted.

For fixed installations, wind loading has to be taken into account in accordance to the national standards

The connection should be performed by qualified technician, by ensuring that power is off.

Operating temperature with temperate climate: 0°C to +40°C (+32°F to +104°); -20°C à +60°C (-4°F to +140°F) for storage.

SAFETY INFORMATIONS

Read this manual before using the speaker.

Keep this manual available for further reference.

Observe all warnings and cautions.

Please check the NEXO Web site nexo-sa.com to get the most up-to-date version of this manual.

Ensure you are aware of the safety rules applying to rigging, stacking or installing on tripod or speaker stand. Failure to observe these rules may expose persons to potential wounds or even death.

Only use the system with accessories specified by NEXO.

Please always consult a NEXO-accredited technician if the installation needs architectural works and observe following precautions:

Mounting Precautions:

- Please select screws and mounting location supporting 4 times the system weight.
- Do not expose the system to excessive dust, vibrations, to extreme cold or hot temperatures, to reduce the risk of damaging components.
- Do not place the system in an unstable position: it could fall accidentally.
- If the system is used on a tripod, please ensure the tripod's specifications are adapted and that its height does not exceed 1.40m/55". Do not move the tripod with the system in position.

Connection and Powering Precautions:

- Unplug connected cables before moving the system.
- Power off the system before connecting the system.
- When switching on the installation, the amplifier must be powered last; when switching the installation off, shut off the amplifier first.
- If you work by cold temperatures, progressively raise the level to nominal value during the first minutes of use, to allow the system components to stabilize.

Please check regularly the system condition.

HIGH SOUND PRESSURE LEVELS

Exposure to very high sound pressure levels may cause permanent hearing losses. Degrees of hearing losses may be different from one person to another, but almost everybody will be affected if exposed to high sound pressure levels during a long period of time. The OSHA (Occupational Safety and Health Administration) American Agency specified the following maximal exposures:

Number of Hours	Sound Pressure Level (dBA), Slow Response
8	90
6	92
4	95
3	97
2	100
1 ½	102
1	105
½	110
¼ or less	115

WASTE OF ELECTRIC OR ELECTRONIC EQUIPMENT

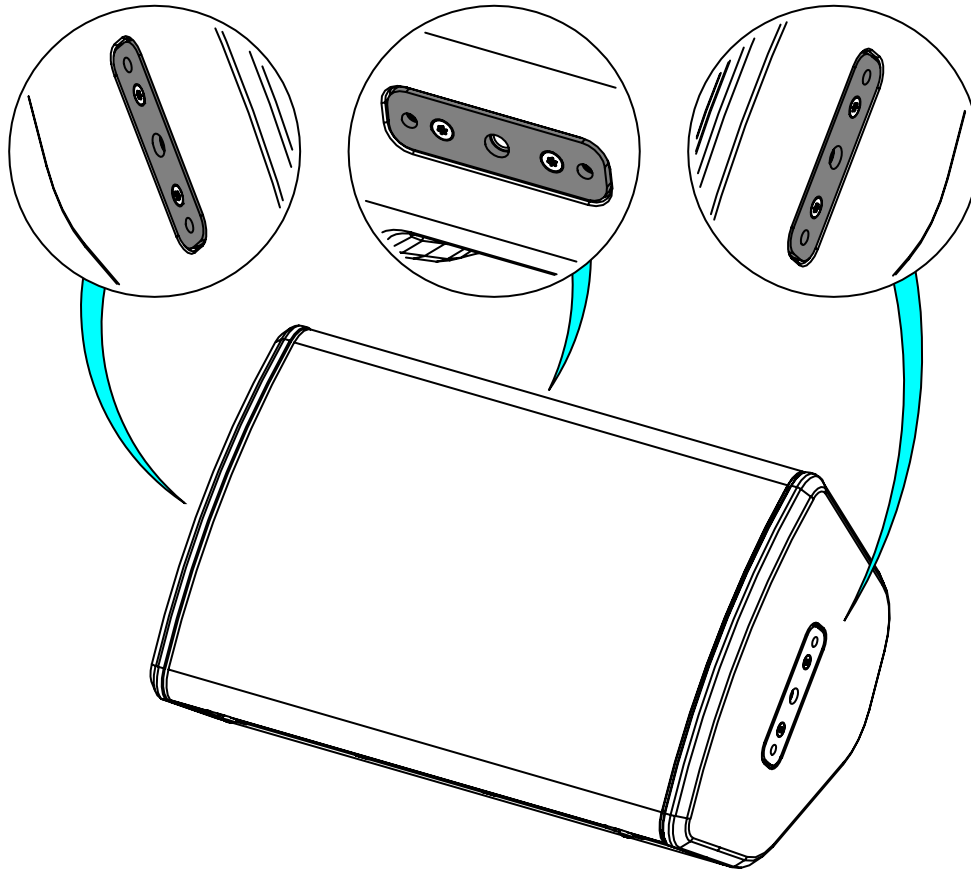


This symbol on the product or its packaging indicates that this product must not be treated as household waste. Instead, it is your responsibility to hand it over to a designated collection point for the recycling of waste electrical and electronic equipment. By ensuring your waste equipment is recycled, you will help prevent potential negative consequences for the environment and human health, which could appear if this product was not recycled. Recycling helps spare natural resources. For more information about the recycling of this product, please contact your local city office, your household waste disposal service or your reseller.

EQUIPMENT

3 locations for hanging, 1 on the back and on both sides.

WARNING: The depth of the M10 thread is 13mm (0.5 inch).

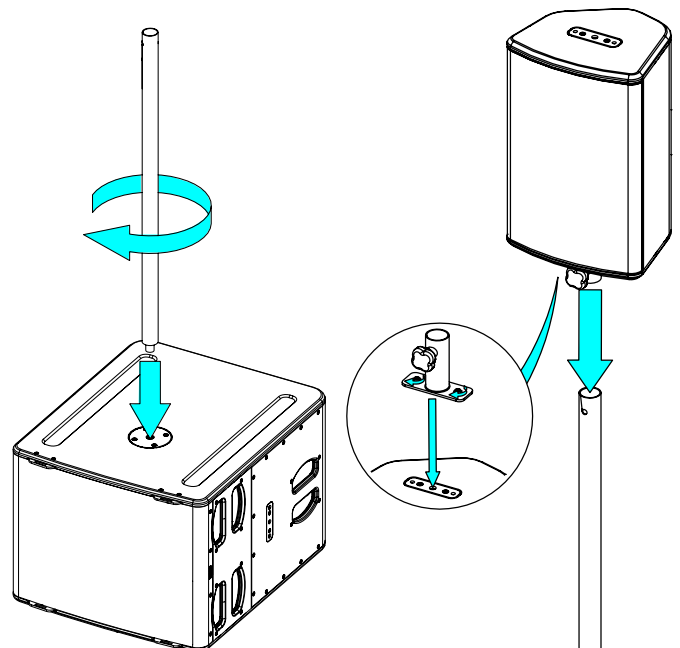


Assembly on distance rod or speaker stand

Place distance rod on the connector plate (M20) of the Sub.
Place PLADAPT on P8-l.
Put the assembly on the distance rod / monitor stand (diameter of 35mm),

IMPORTANT

Speaker stand must be rated for P8 weight.
Speaker stand must always be installed on a horizontal surface.
Stand height and footprint must be defined to prevent assembly from collapsing.
Ensure that audience is not allowed within a safety area which radius is equal or higher than assembly height.
Test steadiness of the assembly by pushing in all directions.



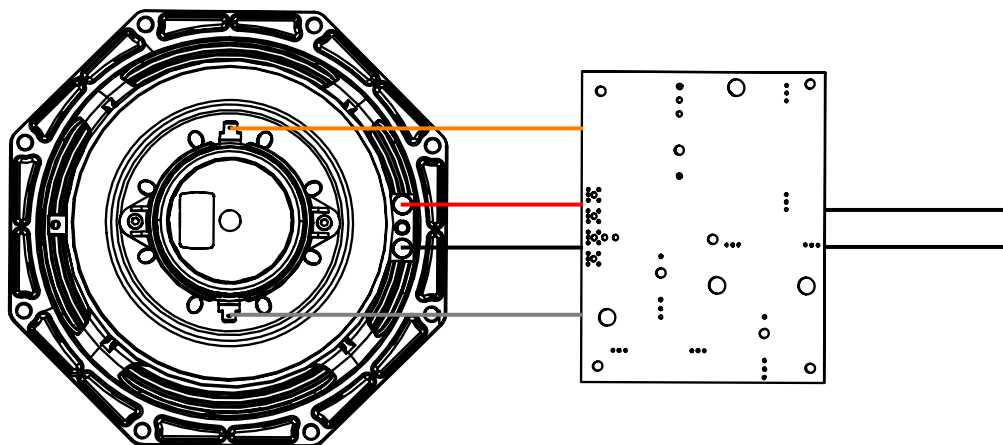
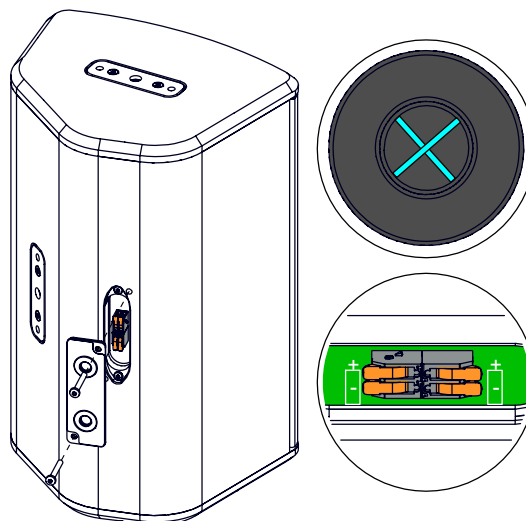
DESCRIPTION

- The P8 is a compact full-range coaxial speaker
- P8 HF Dispersion:
 - 100° – 100° with standard horn
 - 110° – 60° with PNU-P8FLG11060
- P8 can be used alone or with L15 subwoofer
- The speaker is equipped with a cable gland (clamping range, Ø 5 to 12 mm), supplied with a fixed cable 2 x 1.5mm² section, length 4m, outside diameter 8mm ±1mm.
- (+) Red/Brown / (-) Black/Blue
- From Serial number N°212798200101 (black) / 212819200101 (white), fast connectors.

To wire P8-I, slit the membrane of the grommet crosswise.
 Pass the cable through.
 Make the connection to the fast connectors.
 Permissible cables from 0.2 mm² to 4 mm² (12 to 24 AWG).
 Place the IPCOV.

IP54

IP55: Up to N°212798200101 (black) / 212819200101 (white)
 Be careful to place the IPCOV correctly.



→ Amplification

- The P8 speakers must be used with a NEXO processor to handle EQ, phase alignment, crossover and excursion/thermal protection for the system loudspeaker. There are two NEXO processor series supporting the P8 speakers: NXAMP (4 channels) amplified processors and DTD processors (stereo + sub). DTD processors ensure optimal performances when used with DTDAMP power amplifiers.
- The following table shows the number of P8 speakers and L15 subwoofers usable with each solution.

	DTD + DTDAMP4X0.7 DTD + DTDAMP4X1.3	NXAMP4X1mk2	NXAMP4X2mk2	NXAMP4X4mk2
P8	Up to 2 per channel	Up to 3 per channel (1)	Up to 4 per channel	Up to 4 per channel
L15	1 per channel	1 per channel	Up to 2 per channel	Up to 2 per channel

(1) : Recommended powering solution

Please consult nexo-sa.com for NEXO TD Controllers firmware information.

For the P8, the following setups are available:

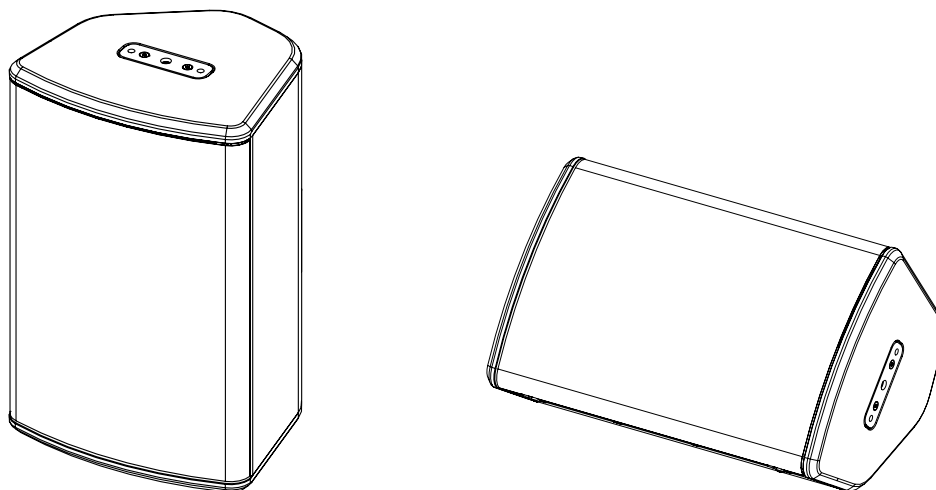
- MAIN is the recommended setup for most FOH application, similar to previous firmware setup.
- MONITOR is recommended for monitor applications. Warning: this setup is a low latency setup and therefore its phase is not compatible with other NEXO cabinets, including subs.

Preset

- P8 MON PA 100100, with high-pass at 66 or 85 Hz.
- P8 MON PA 11060, with high-pass at 66 or 85 Hz.

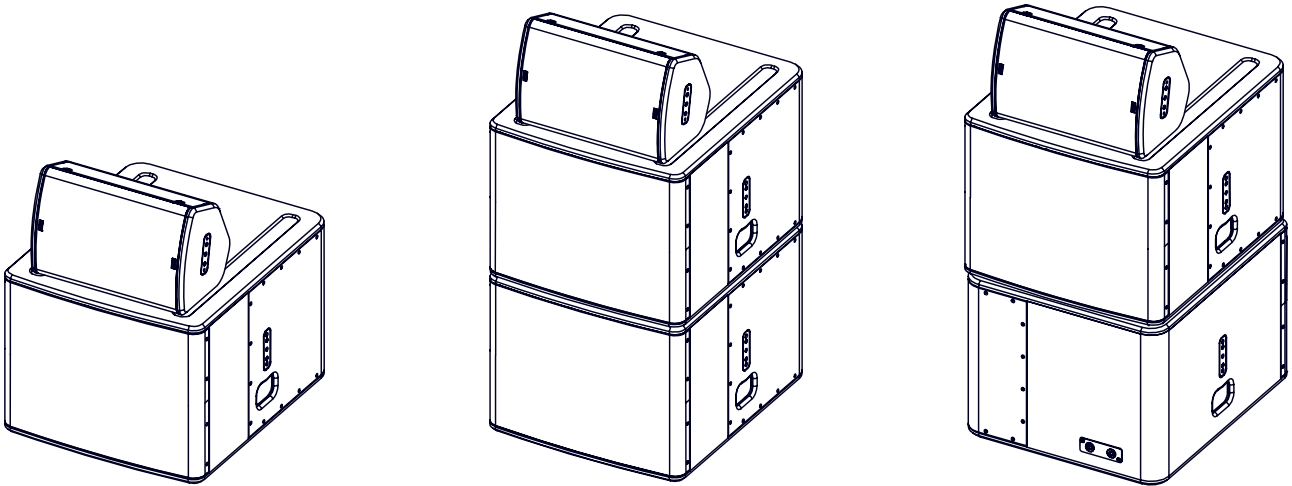
- P8 MAIN PA 100100, with high-pass at 66, 85 or 120 Hz.
- P8 MAIN PA 11060, with high-pass at 66, 85 or 120 Hz.

➤ P8

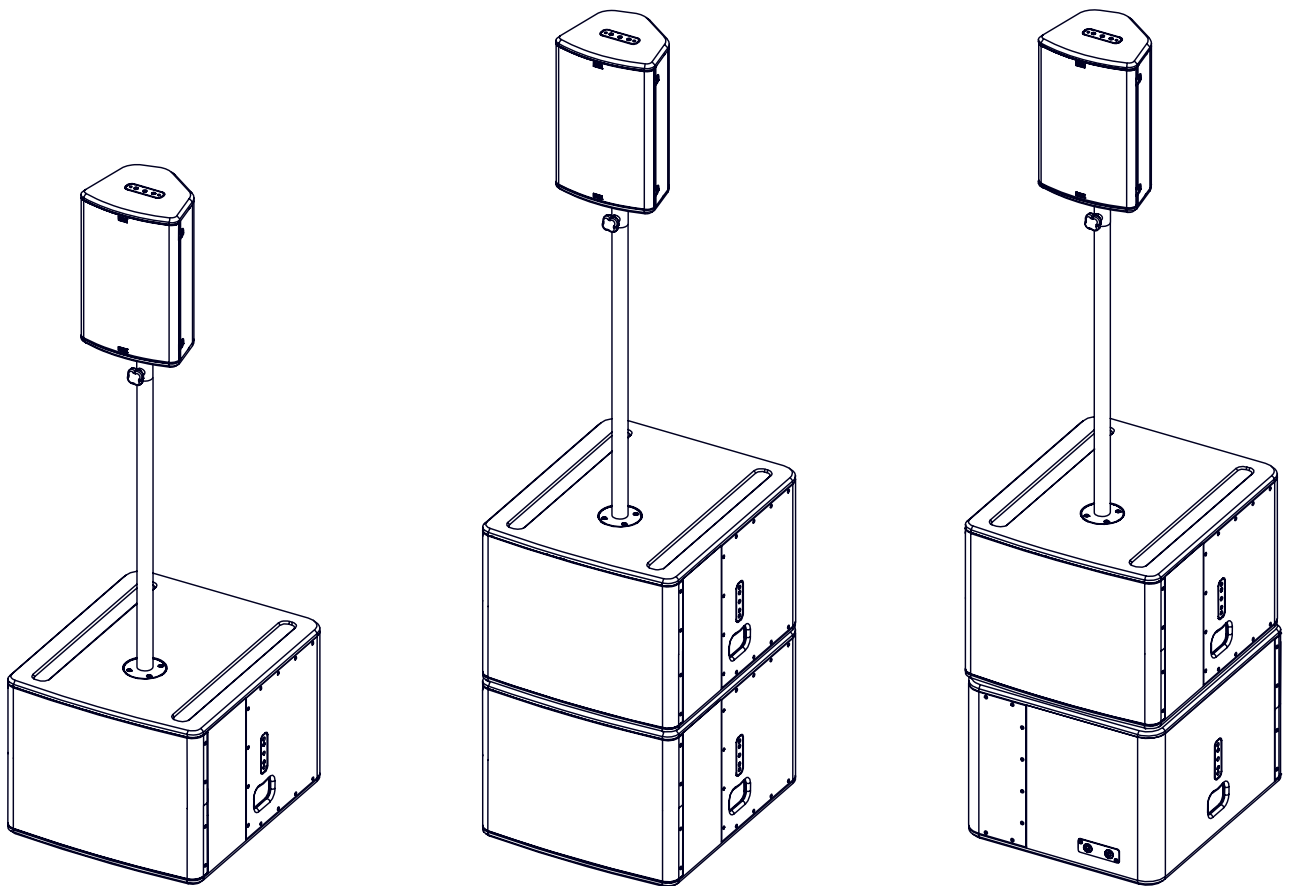


Front of house and stage monitor applications

➤ P8 + Sub



Stage monitor applications with Subs (OMNI or CARDIO modes)

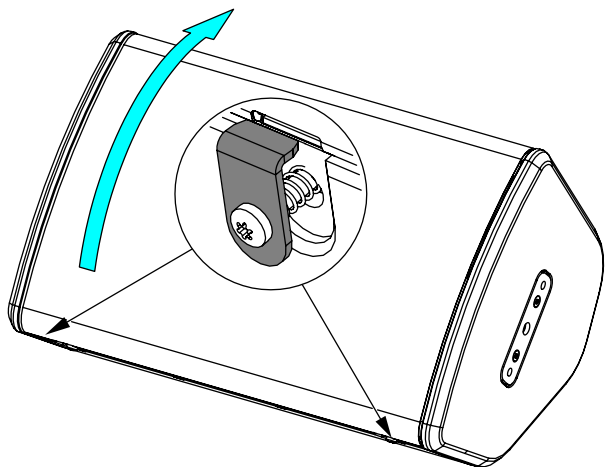


Front of house applications with Subs (OMNI or CARDIO modes)

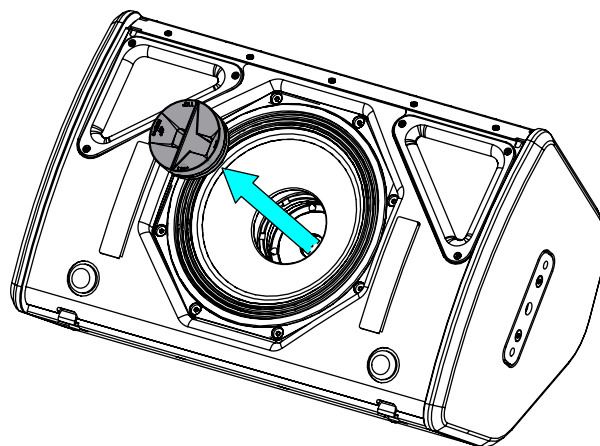
HF DIRECTIVITY

- The P8 speaker can be used in horizontal or vertical position.
- The standard horn is a 100° - 100° HF dispersion. It's easy to change the HF dispersion by changing the horn. Different mounting possibilities and horn rotation allow to deal with every request.

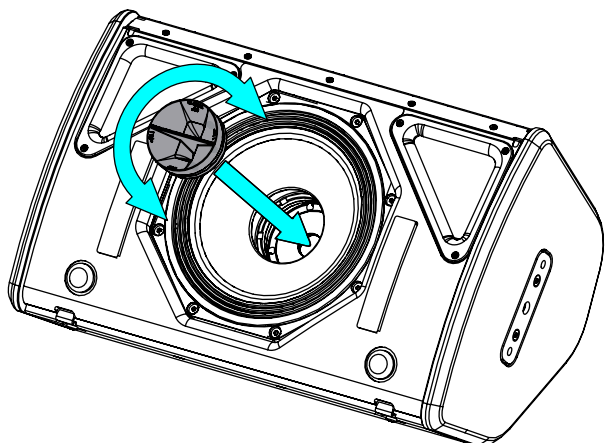
Loosen the 2 screws, Remove the grille.



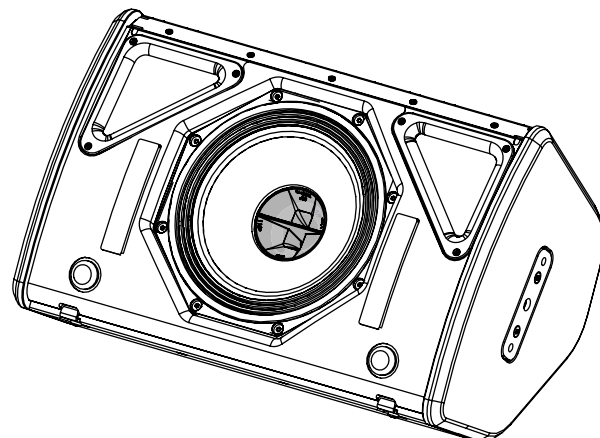
Remove the horn to place PNT-P8FLG11060.



Place the horn, if necessary, rotate it.



Magnets keep the horn in place.



When replacing the grille, ensure it is well positioned in the top blade before fasten the hooks with the screws.

CROSSOVER FREQUENCY

- 60 Hz: Full range application.
- 85 Hz: Use as « front fill » on stage, complementing a main system. Use with a NEXO subwoofer, e.g. L15.
- 120 Hz: For long throw applications.

ACCESSORIES

WARNINGS

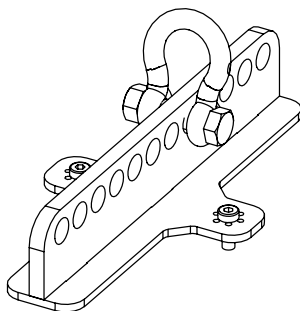
All P8 accessories are specifically rated in agreement with structural computations.

Never use other accessories – including push-pins – when assembling P8 cabinets than the ones provided by NEXO: NEXO will decline responsibility over the entire P8 accessory range if any component is purchased from different supplier.

PROHIBITED: P8 below P8 or P8 below L15 without dedicated accessory

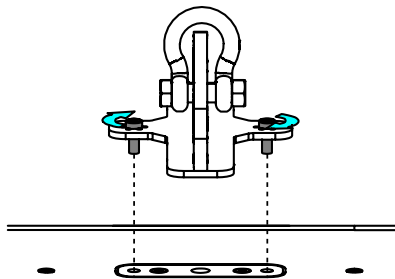
VNU-BUMP (PNT-BUMP)

LiftBar, use with P8,
LIFTADAPT, WMADAPT.



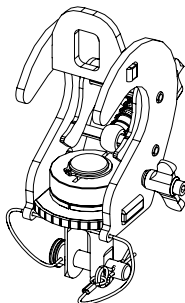
Place VNU-BUMP on P8 (only use the provided screws).
Tight properly

Refer to the Product Data Sheet.



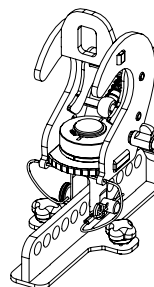
VNT-TCBRK3551

Rotary Truss Clamp



Place VNT-TCBRK3551 on VNU-BUMP at the desired hole.

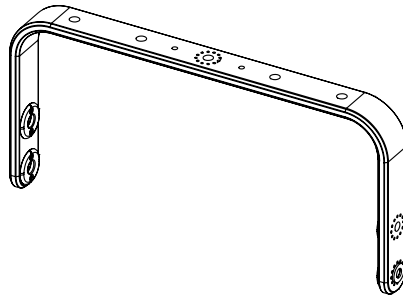
Refer to the Product Data Sheet



ACCESSORIES

VNU-HBRK425 (PNT-HBRK8)

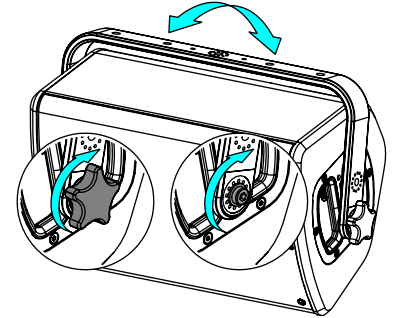
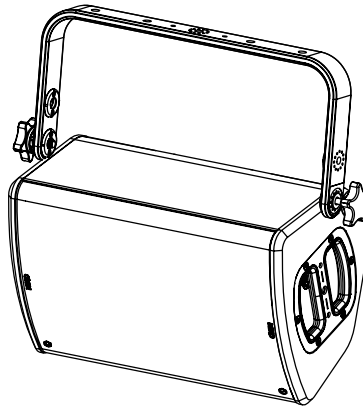
Horizontal Cradle, use with P8,
CLADAPT, PLADAPT.



Place HBRK425 on P8, use only fasteners
provided.

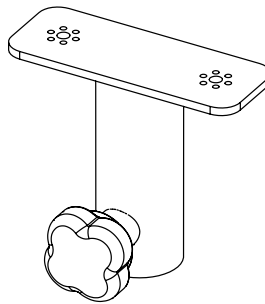
Tight properly.

Refer to the Product Data Sheet.



VNU-PLADAPT (PNT-PLADAPT)

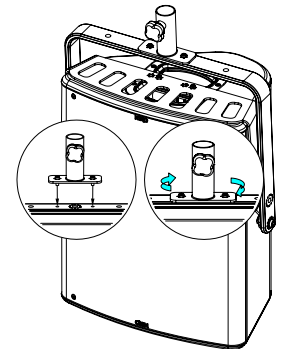
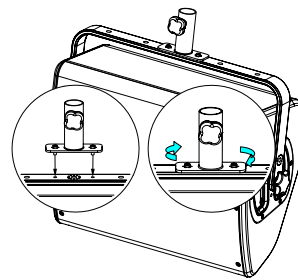
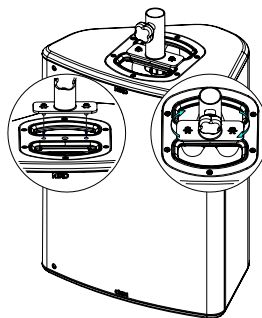
Pole adapter, use with P8,
HBRK425, VBRK8.



Place VNU-PLADAPT, use only fasteners
provided.

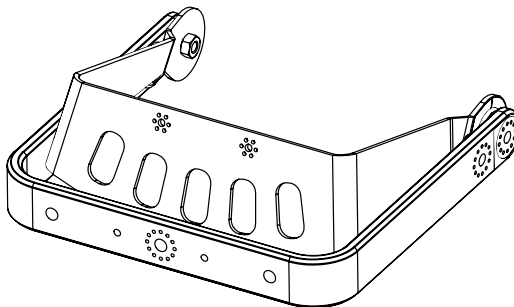
Tight properly.

Refer to the Product Data Sheet.



PNU-VBRK8 (PNT-VBRK8)

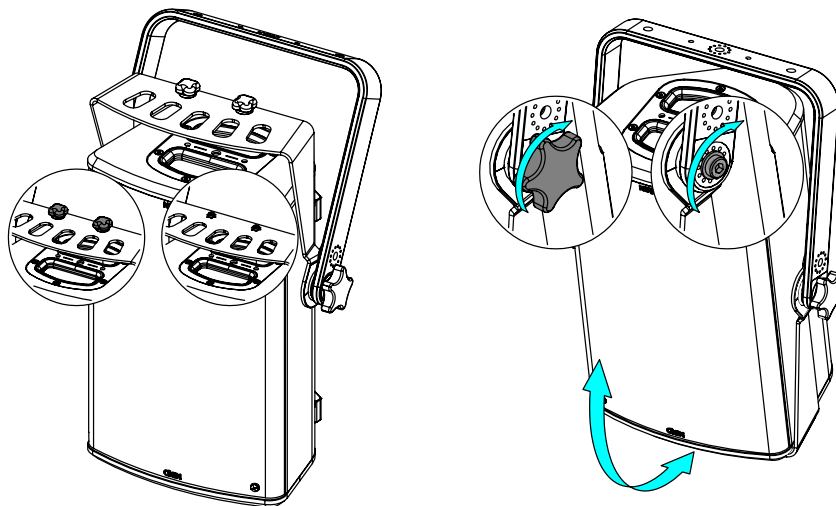
Vertical Cradle, use with CLADAPT, PLADAPT.



Place VBRK8 on P8, use only fasteners provided.

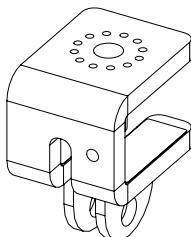
Tight properly.

Refer to the Product Data Sheet.

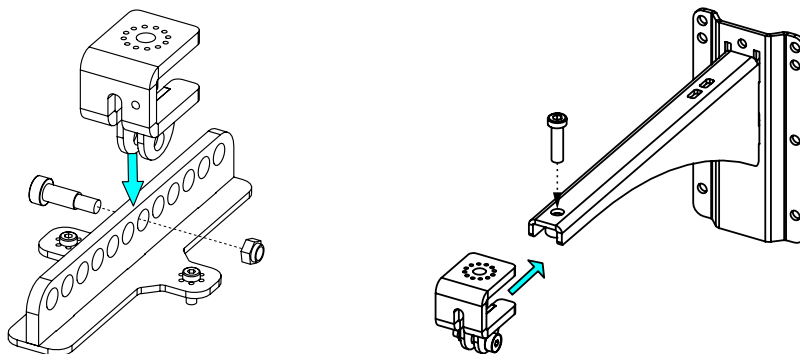


VNI-WMADAPT (PNT-WMADAPT)

Adapter, use with VNU-BUMP, VNI-WM200.



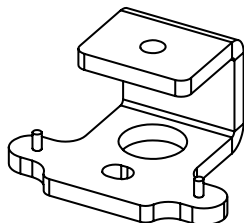
Refer to the Product Data Sheet.



ACCESSORIES

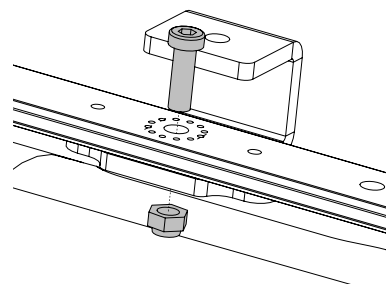
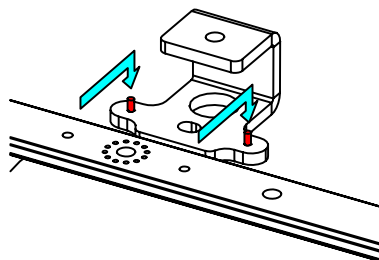
VNI-CLADAPT (PNI-CLADAPT)

Ceiling adapter, use with VNU-HBRK425, PNU-VBRK8.



Screw CLADAPT to the ceiling (fasteners not provided).

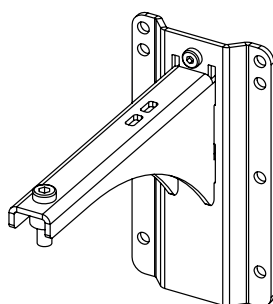
Place the assembly on CLADAPT, use the 2 guides. Tight with the fasteners provided with CLADAPT.



Refer to the Product Data Sheet.

VNI-WM200 (PNI-WM200)

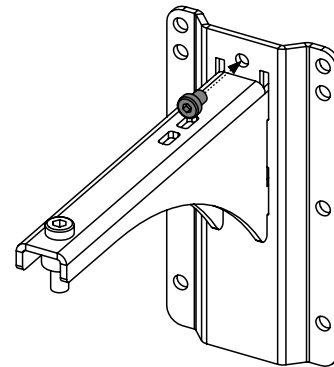
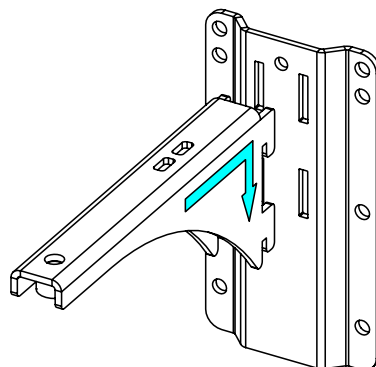
Wallmount for P8, use with WMADAPT.



Mount the wall plate. Place the arm in the wall plate.

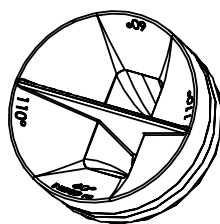
Lock with the provided screw.

Refer to the Product Data Sheet.



PNU-P8FLG11060 (PNT-P8FLG11060)

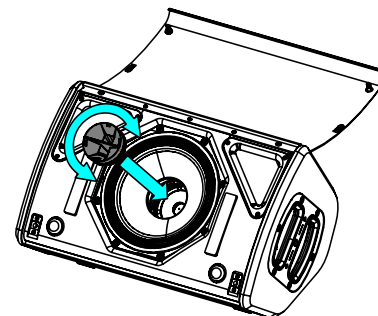
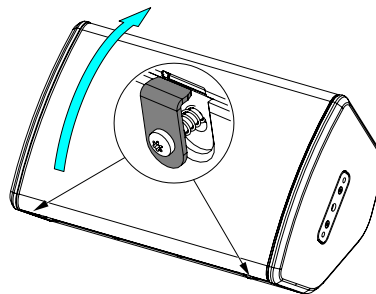
HF Dispersion Horn 110° - 60°



Remove the grille, remove the flange to place the PNU-P8FLG11060.

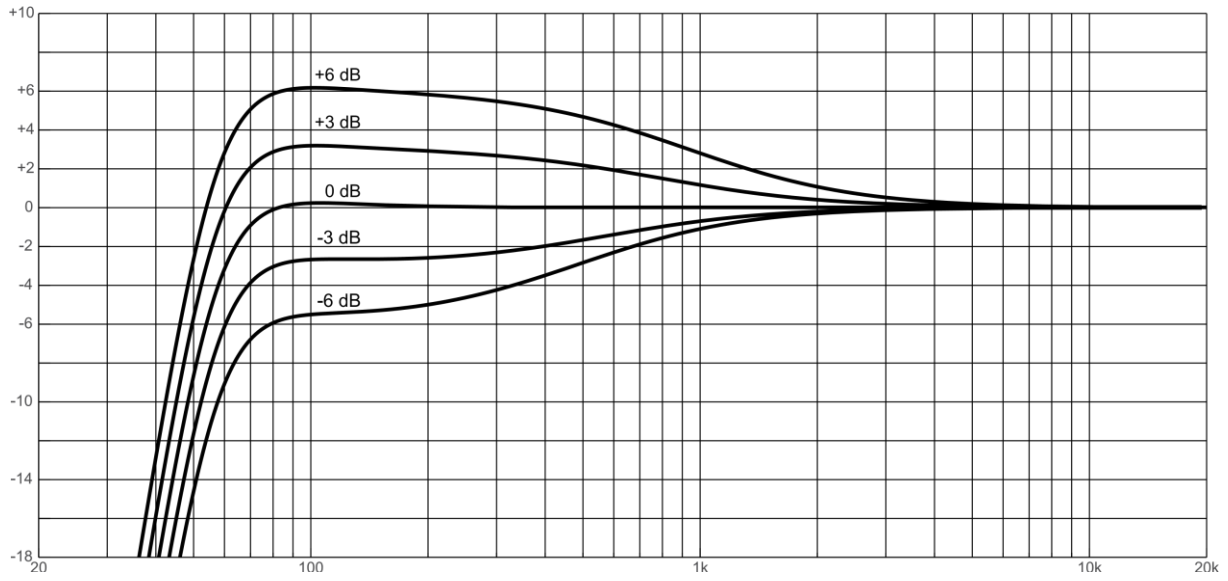
If it necessary, rotate it. Magnets keep the horn in place.

Refer to the Product Data Sheet.



ARRAY EQ

The ArrayEQ allows to adjust the system frequency response in its lower range
(see curves below, with different ArrayEq values):

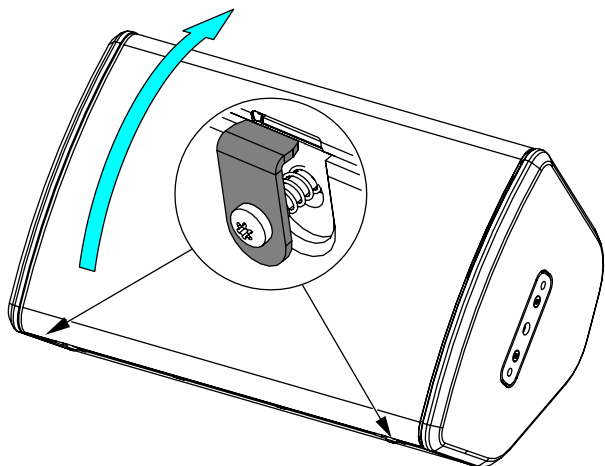


NOTE:

Speakers and Grills can be sent back to NEXO for recycling

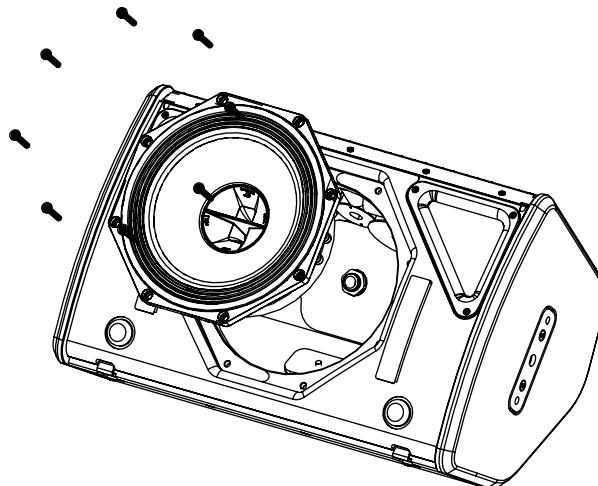
Driver access

Loosen the 2 screws, Remove the grille.



Remove 8 screws.

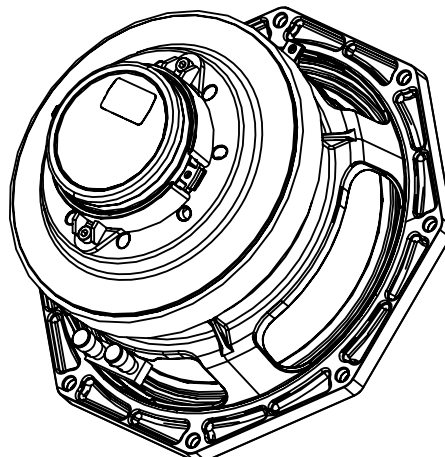
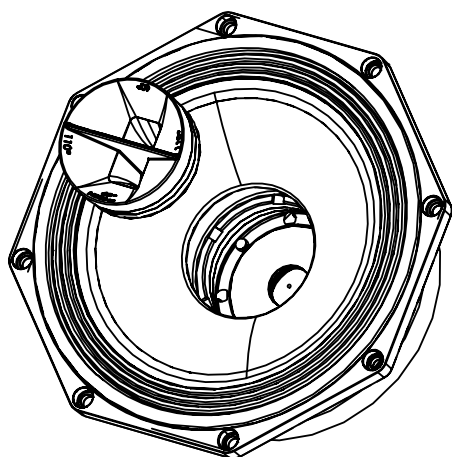
Tightening torque: 3.5Nm (Thread Locker: Loctite 242)



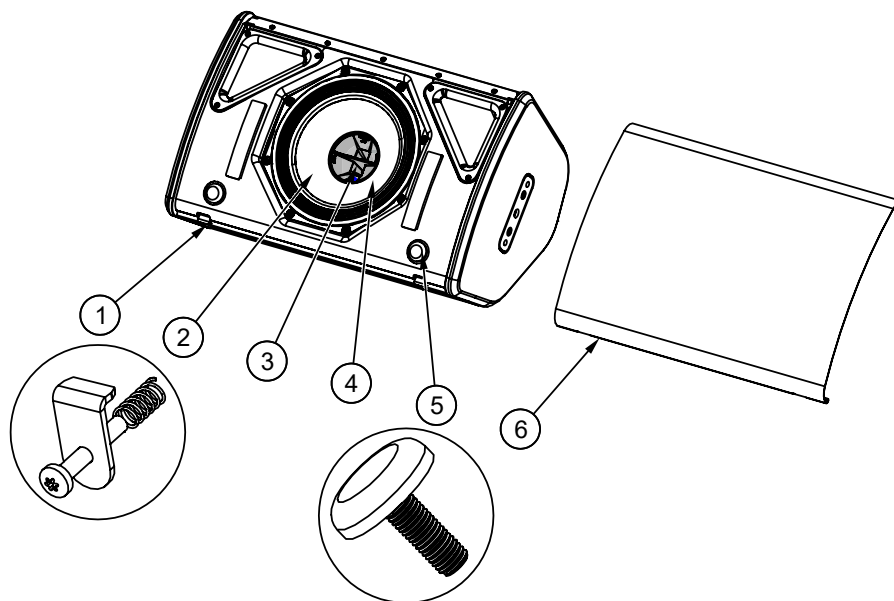
Remove the horn.

To access to the HF diaphragm, remove 2 screws.

Tightening torque: 1.7Nm



Spare parts



MARK	QUANTITY	REFERENCE	DESIGNATION
1	2	05GRIDFIX1	Grid Hook Black
	2	05GRIDFIX1-PW	Grid Hook White
2	1	05HPC8	P8 driver complete (with screws)
	1	05HPC8R/K	Recone Kit 8" (with screws)
3	1	05PAV8-100-100	HORN 100°-100°
	1	04PNT-P8FLG11060	HORN 110°-60°
4	1	05NHP8R/K	HF diaphragm (with screws)
5	2	05RUBGRD01	Plastic Pad Black
	2	05RUBGRD01-PW	Plastic Pad White
6	1	05P8UA-I	Complete grille Instal Black (with fasteners)
	1	05P8UA-IPW	Complete grille Instal White (with fasteners)

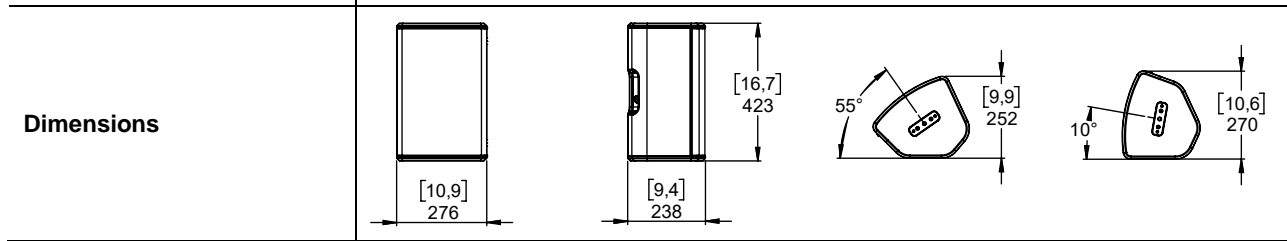
TECHNICAL SPECIFICATIONS

P8-I WITH NEXO ELECTRONICS

Model	P8-I
Frequency range (± 6 dB)	66 Hz – 20 kHz
Peak SPL Level (1m)	129dB Peak
Operating voltage	40Vrms (105Vpeak)
HF dispersion (according to horns)	100°x100° (standard) - 110°x60° (option)
Crossover Frequency	66Hz – 85Hz – 120Hz
Nominal Impedance	8 Ω

SPECIFICATIONS

Model	P8-I
Components	LF: 1x8" - 8 Ω ; HF: 1x 1.5 " - 8 Ω - Neodymium driver
Material	Baltic birch / Poplar plywood
Finish	Black or white structural paint
Front finish	Black or white acoustic fabric fitted front steel front grille
Fittings	Threaded inserts on the back and on both sides for connection of mounting accessories
Connector	Cable gland, supplied with a fixed cable 2 x 1.5mm ² section, length 4m. From Serial number 212798200101 (black) – 212819200101 (white) Fast connectors
Weight	12 kg / 26.5 lb



USER NOTES

NEXO S.A.

Parc d'activité de la Dame Jeanne
F-60128 PLAILLY

Tel: +33 3 44 99 00 70

Fax: +33 3 44 99 00 30

E-mail: info@nexo.fr

nexo-sa.com

NEXO