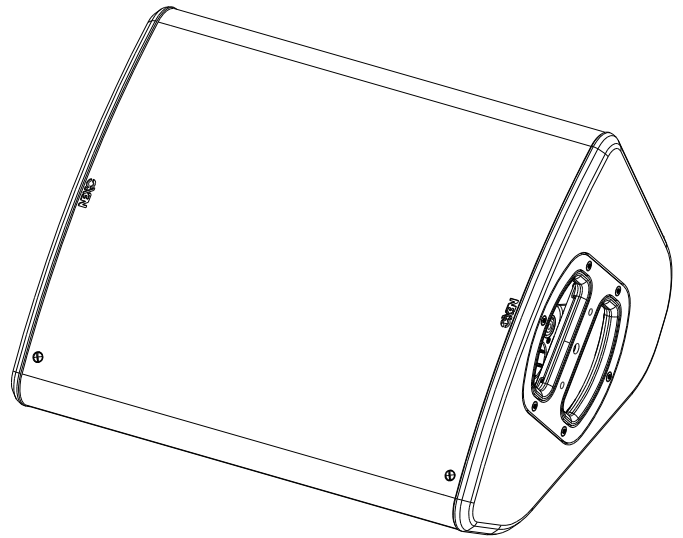
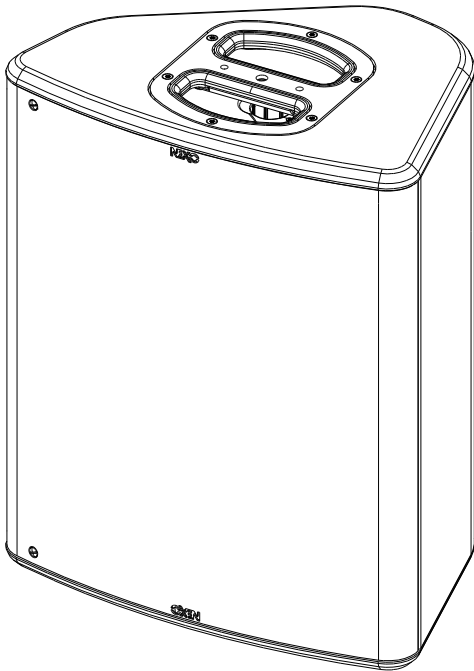


## P12



User manual



**TABLE OF CONTENTS**

TABLE OF CONTENTS \_\_\_\_\_ 2

WARNINGS \_\_\_\_\_ 3

EQUIPMENT \_\_\_\_\_ 4

DESCRIPTION \_\_\_\_\_ 6

PRESET \_\_\_\_\_ 7

HF DIRECTIVITY \_\_\_\_\_ 9

CROSSOVER FREQUENCY \_\_\_\_\_ 9

ACCESSORIES \_\_\_\_\_ 10

ARRAY EQ \_\_\_\_\_ 12

MAINTENANCE \_\_\_\_\_ 13

TECHNICAL SPECIFICATIONS \_\_\_\_\_ 16

USER NOTES \_\_\_\_\_ 17

EU Conformity declaration	
	We, <b>NEXO SA</b>
	<b>ZA DU PRE DE LA DAME JEANNE</b>
	<b>60128 PLAILLY – France</b>
Declare under our sole responsibility that the product	<b>Loudspeaker</b>
Type	<b>P12</b>
Serial number	<b>On the product</b>
Is in conformity with the provisions of the following directive including all applicable amendments:	<b>2014/35/UE (Low Voltage Directive)</b>
Applied rules and standards:	<b>EN 13155, EN 62368</b>
Plailly, June 12 <sup>th</sup> , 2019	<b>Joseph CARCOPINO, R&amp;D Director</b>
	

**WARNINGS**

**PRECAUTIONS**

Do not open the speaker, do not try to disassemble it neither to modify it in any way. The system doesn't include any user-repairable part.

If the system seems to be malfunctioning or damaged, stop using it at once and have it repaired by a NEXO qualified technician.

Do not expose the system directly to the sun or to the rain, do not immerse it into fluids, do not place objects filled with liquid on the system. If a liquid gets into the system, please have it inspected by a NEXO qualified technician.

The connection should be performed by qualified technician, by ensuring that power is off.

Operating temperature with temperate climate: 0°C to +40°C (+32°F to +104); -20°C à +60°C (-4°F to +140°F) for storage.

**SAFETY INFORMATIONS**

Read this manual before using the speaker.

Keep this manual available for further reference.

Observe all warnings and cautions.

Please check the NEXO Web site [nexo-sa.com](http://nexo-sa.com) to get the most up-to-date version of this manual.

Ensure you are aware of the safety rules applying to rigging, stacking or installing on tripod or speaker stand. Failure to observe these rules may expose persons to potential wounds or even death.

Only use the system with accessories specified by NEXO.

Please always consult a NEXO-accredited technician if the installation needs architectural works and observe following precautions:

**Mounting Precautions:**

- Please select screws and mounting location supporting 4 times the system weight.
- Do not expose the system to excessive dust, vibrations, to extreme cold or hot temperatures, to reduce the risk of damaging components.
- Do not place the system in an unstable position: it could fall accidentally.
- If the system is used on a tripod, please ensure the tripod's specifications are adapted and that its height does not exceed 1.40m/55". Do not move the tripod with the system in position.

**Connection and Powering Precautions:**

- Unplug connected cables before moving the system.
- Power off the system before connecting the system.
- When switching on the installation, the amplifier must be powered last; when switching the installation off, shut off the amplifier first.
- If you work by cold temperatures, progressively raise the level to nominal value during the first minutes of use, to allow the system components to stabilize.

Please check regularly the system condition.

**HIGH SOUND PRESSURE LEVELS**

Exposure to very high sound pressure levels may cause permanent hearing losses. Degrees of hearing losses may be different from one person to another, but almost everybody will be affected if exposed to high sound pressure levels during a long period of time. The OSHA (Occupational Safety and Health Administration) American Agency specified the following maximal exposures:

Number of Hours	Sound Pressure Level (dBA), Slow Response
8	90
6	92
4	95
3	97
2	100
1 ½	102
1	105
½	110
¼ or less	115

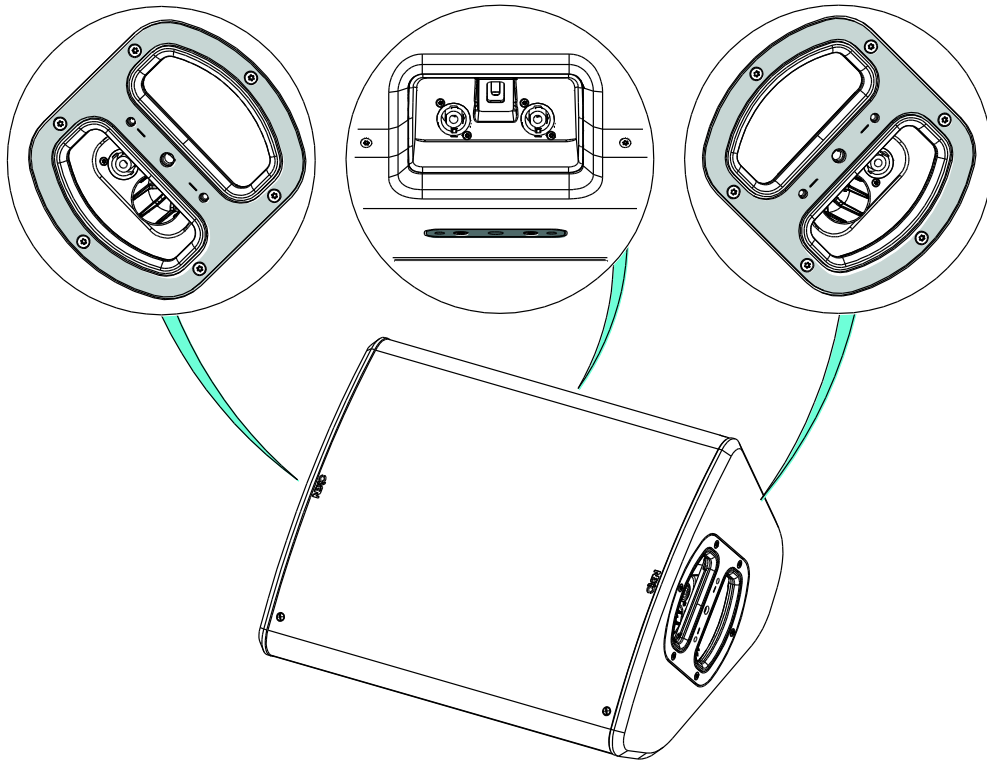
**WASTE OF ELECTRIC OR ELECTRONIC EQUIPMENT**



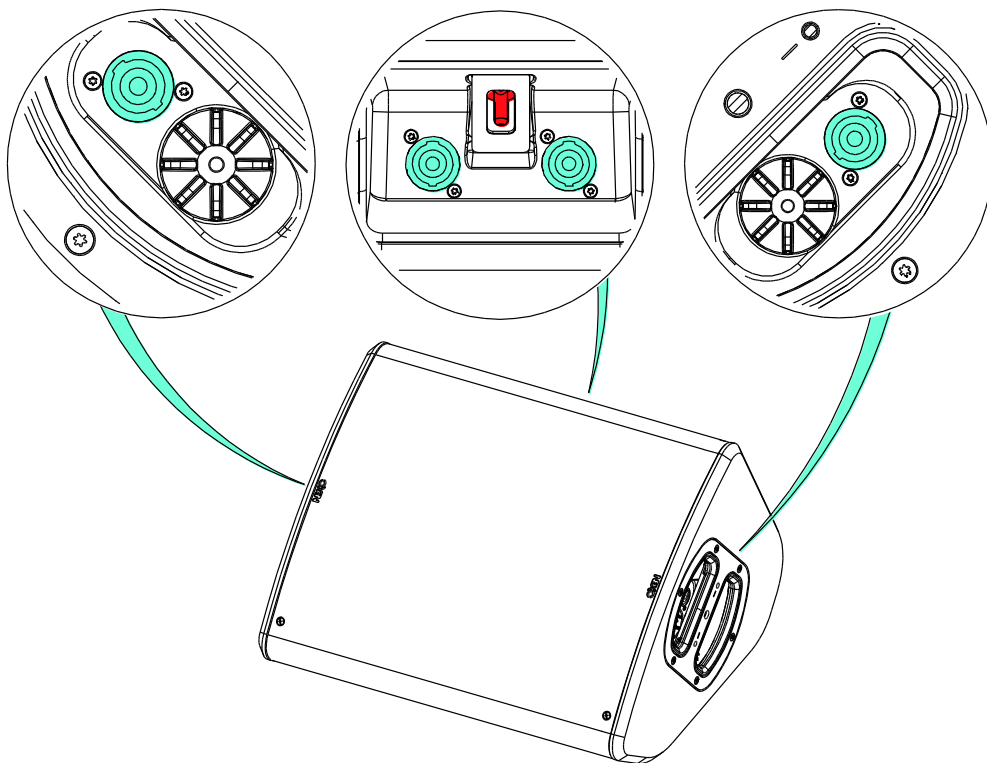
This symbol on the product or its packaging indicates that this product must not be treated as household waste. Instead, it is your responsibility to hand it over to a designated collection point for the recycling of waste electrical and electronic equipment. By ensuring your waste equipment is recycled, you will help prevent potential negative consequences for the environment and human health, which could appear if this product was not recycled. Recycling helps spare natural resources. For more information about the recycling of this product, please contact your local city office, your household waste disposal service or your reseller.

**EQUIPMENT**

3 locations for hanging, 1 on the back and on both side. On the sides, you'll find a print for speaker stand.



3 locations for connecting, on the back and on both side.

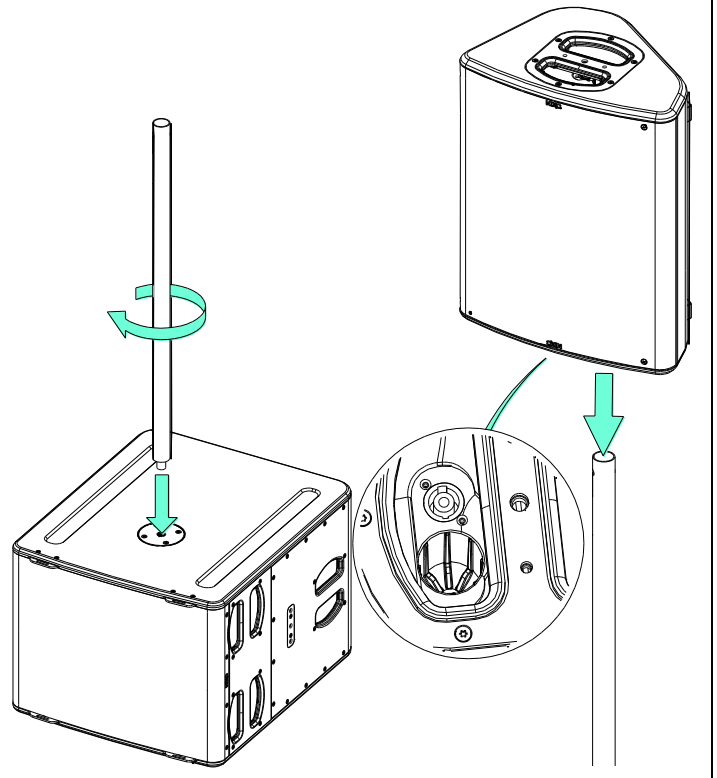


**Assembly on distance rod or speaker stand**

Place distance rod on the connector plate (M20) of the Sub.  
Place P12 on the distance rod / monitor stand (diameter of 35mm),

**IMPORTANT**

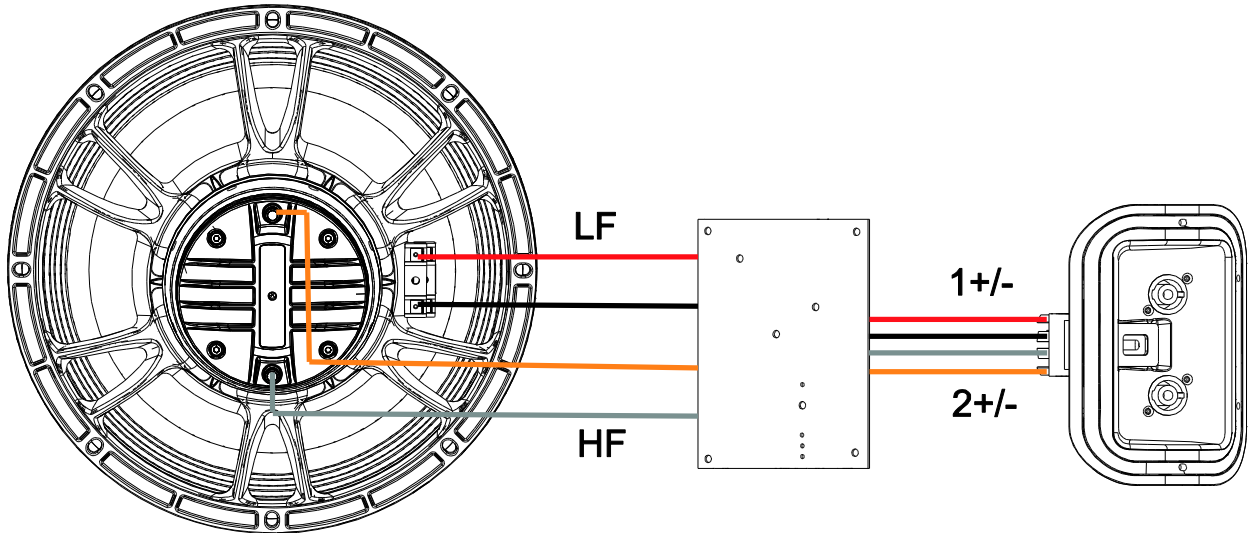
Speaker stand must be rated for P12 weight.  
Speaker stand must always be installed on a horizontal surface.  
Stand height and footprint must be defined to prevent assembly from collapsing.  
Ensure that audience is not allowed within a safety area which radius is equal or higher than assembly height.  
Test steadiness of the assembly by pushing in all directions.



**DESCRIPTION**

**DESCRIPTION**

- The P12 is a compact full-range coaxial speaker
- P12 HF Dispersion:
  - 60° - 60° with standard horn
  - 90° - 40° with PNT-P12FLG9040
  - PS with PNT-P12FLGPS (Asymmetrical Dispersion)
- P12 can be used alone or with L15 subwoofer
- The speaker is equipped with four Speakon NL4 connectors with parallel-wired pins, one on each side and two on the back. On the back a switch allows to choose between ACTIVE MODE/PASSIVE MODE.
  - PASSIVE MODE: 2+/--. The 1+/1- pins are used by the sub.
  - ACTIVE MODE: LF (1+/1-) – HF (2+/2-)



- Amplification
  - The P12 speakers must be used with a NEXO processor to handle EQ, phase alignment, crossover and excursion/thermal protection for the system loudspeaker. There are two NEXO processor series supporting the P12 speakers: NXAMP (4 channels) amplified processors and DTD processors (stereo + sub). DTD processors ensure optimal performances when used with DTDAMP power amplifiers.
  - The following table shows the number of P12 speakers and L15 subwoofers usable with each solution.

	NXAMP4X1	NXAMP4X1(BRIDGED)	NXAMP4X2	NXAMP4X4
P12	-	Up to 2 per channel	Up to 2 per channel	Up to 4 per channel
L15	-	1 per channel	Up to 2 per channel	Up to 2 per channel

## PRESET

Please consult [nexo-sa.com](http://nexo-sa.com) for NEXO TD Controllers firmware information.

For the P12, the following setups are available:

- MAIN is the recommended setup for most FOH application, similar to previous firmware setup.
- MONITOR is recommended for monitor applications. Warning: this setup is a low latency setup and therefore its phase is not compatible with other NEXO cabinets, including subs.

### Passive Mode

- P12 MON PA 6060, with high-pass at 60 or 85 Hz.
- P12 MON PA 9040, with high-pass at 60 or 85 Hz.
- P12 MON PA PSguide, with high-pass at 60 or 85 Hz
  
- P12 MAIN PA 6060, with high-pass at 60 or 85 Hz.
- P12 MAIN PA 9040, with high-pass at 60 or 85 Hz.
- P12 MAIN PA PSguide, with high-pass at 60 or 85 Hz.

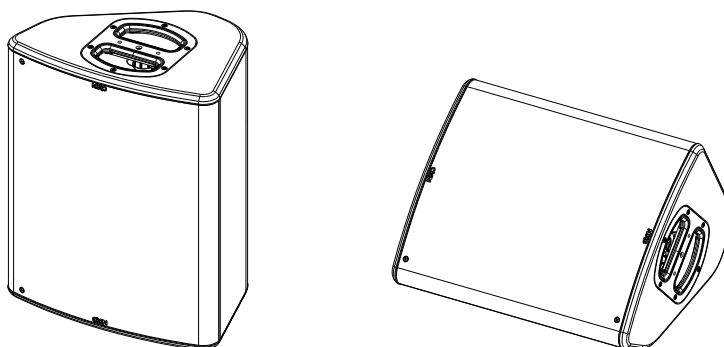
### Active Mode

**WARNING:** Do not mix directivity and/or modes

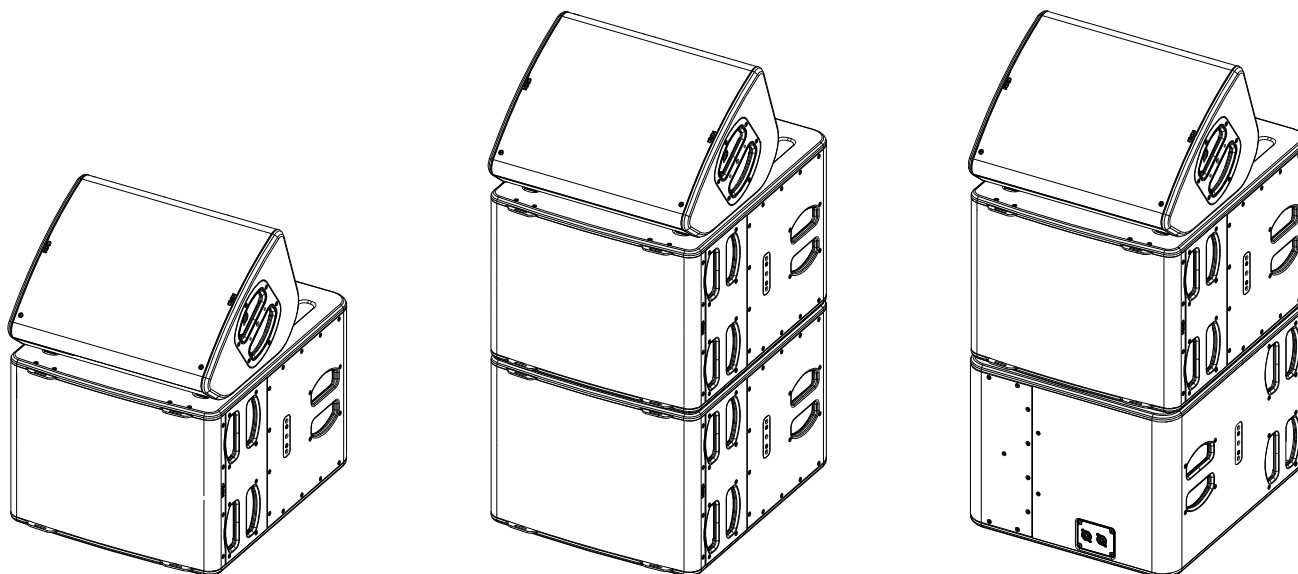
P12 MON HF 6060 with P12 MON LF 6060 =====> OK  
 P12 MAIN HF 6060 with P12 MON LF 6060 =====> NOT OK  
 P12 MON HF 9040 with P12 MON LF 6060 =====> NOT OK

- P12 MON HF 6060, with high-pass at 60 or 85 Hz.
- P12 MON HF 9040, with high-pass at 60 or 85 Hz.
- P12 MON HF PSguide, with high-pass at 60 or 85 Hz.
- P12 MON LF 6060, with high-pass at 60 or 85 Hz.
- P12 MON LF 9040, with high-pass at 60 or 85 Hz.
- P12 MON LF PSguide, with high-pass at 60 or 85 Hz.
  
- P12 MAIN HF 6060, with high-pass at 60 or 85 Hz.
- P12 MAIN HF 9040, with high-pass at 60 or 85 Hz.
- P12 MAIN HF PSguide, with high-pass at 60 or 85 Hz.
- P12 MAIN LF 6060, with high-pass at 60 or 85 Hz.
- P12 MAIN LF 9040, with high-pass at 60 or 85 Hz.
- P12 MAIN LF PSguide, with high-pass at 60 or 85 Hz.

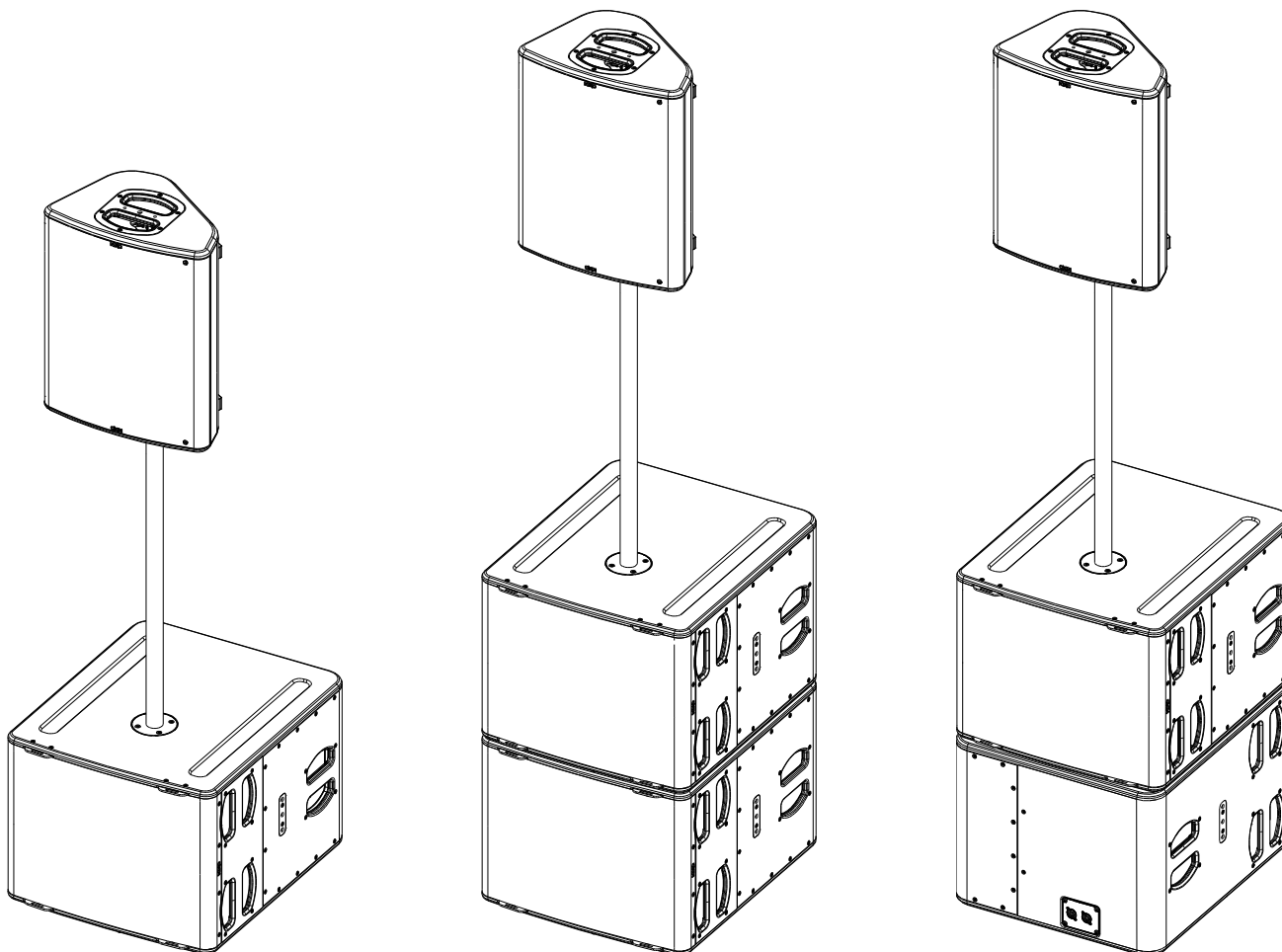
## P12



Front of house and stage monitor applications



Stage monitor applications with Subs (OMNI or CARDIO modes)

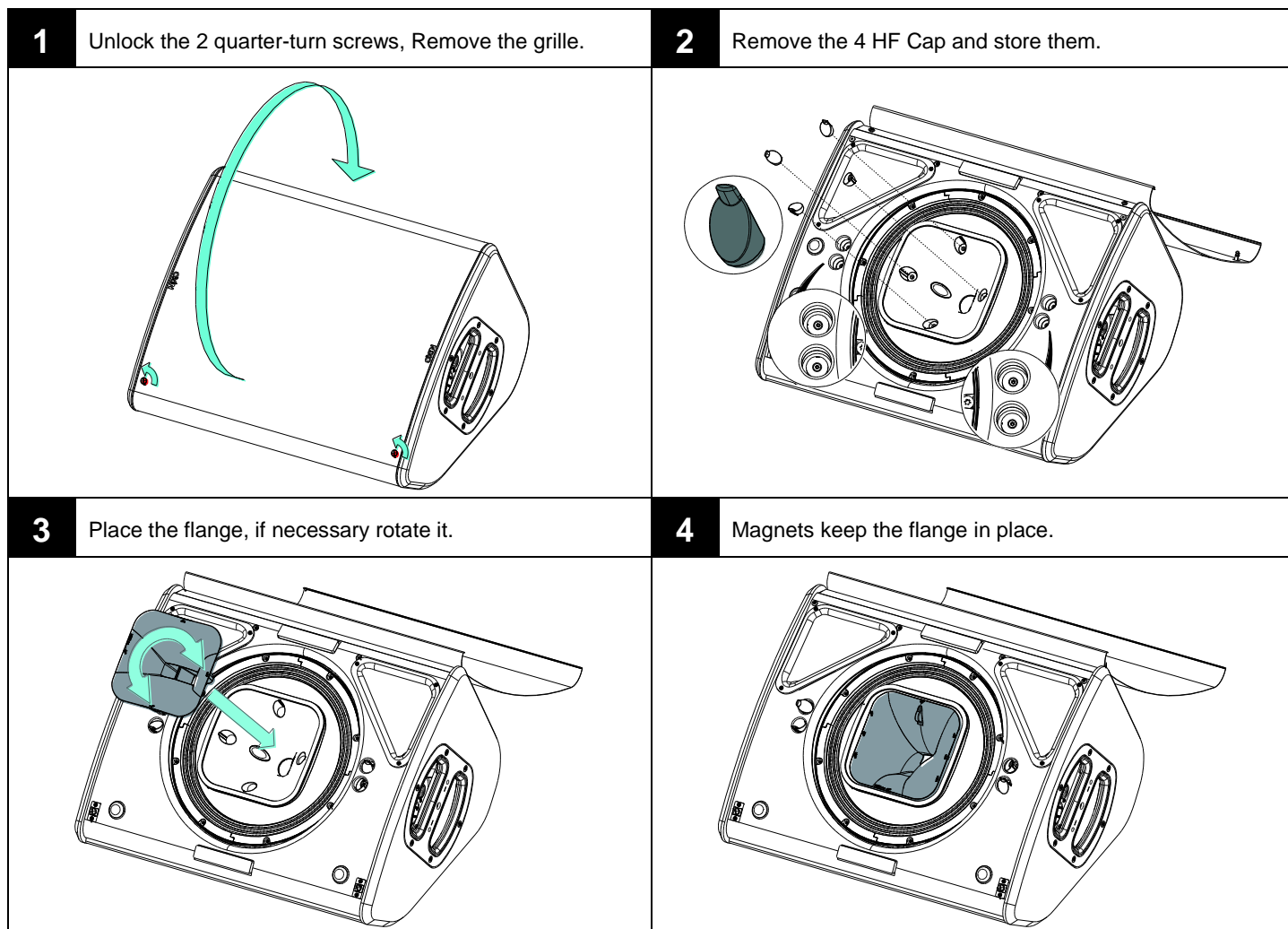


Front of house applications with Subs (OMNI or CARDIO modes)



## HF DIRECTIVITY

- The P12 speaker can be used in horizontal or vertical position.
- The standard horn is a 60° - 60° HF dispersion. It's easy to change the HF dispersion by adding a specific flange. Different mounting possibilities and flange rotation allow to deal with every request.



When replacing the grille, ensure it is well positioned in the top blade before fasten with quarter-turn screws.

## CROSSOVER FREQUENCY

- 60 Hz: Full range application.
- 85 Hz: Use as « front fill » on stage, complementing a main system. Use with a NEXO subwoofer, e.g. L15.

**WARNINGS**

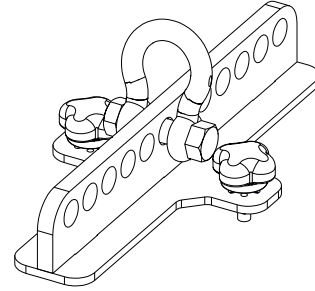
All P12 accessories are specifically rated in agreement with structural computations.

Never use other accessories – including push-pins – when assembling P12 cabinets than the ones provided by NEXO: NEXO will decline responsibility over the entire P12 accessory range if any component is purchased from different supplier.

**PROHIBITED : P12 below P12 or P12 below L15 without dedicated accessory**

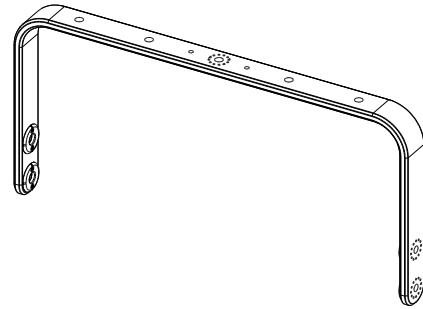
**PNT-BUMP**

LiftBar for P12, use with P12, WMADAPT.



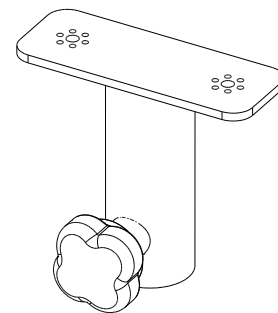
**PNT-HBRK12**

Horizontal Cradle, use with CLADAPT, PLADAPT.



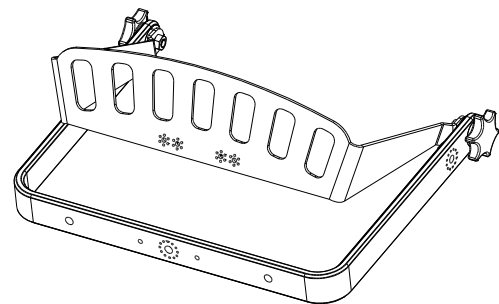
**PNT-PLADAPT**

Pole Adapter, use with P12, HBRK12, VBRK12.



**PNT-VBRK12**

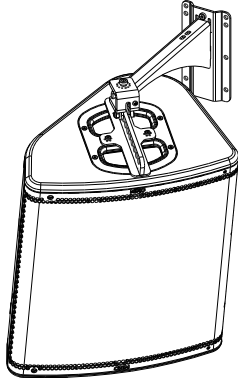
Vertical Cradle, use with CLADAPT, PLADAPT



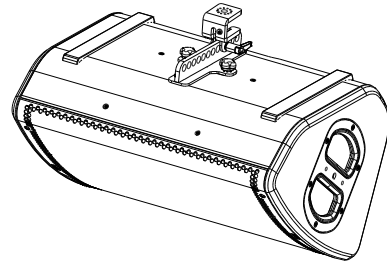
**PNT-WMADAPT**



**With PNI-WMxxx & PNT-BUMP**

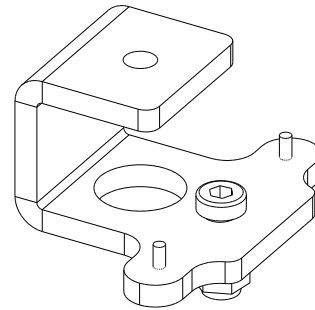


**With PNT-BUMP**



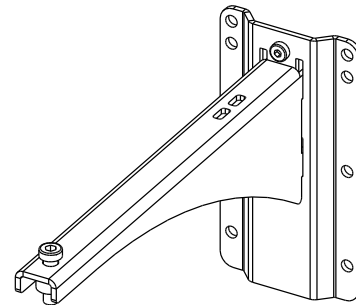
**PNI-CLADAPT**

Ceiling Adapter, use with HBRK12, VBRK12.

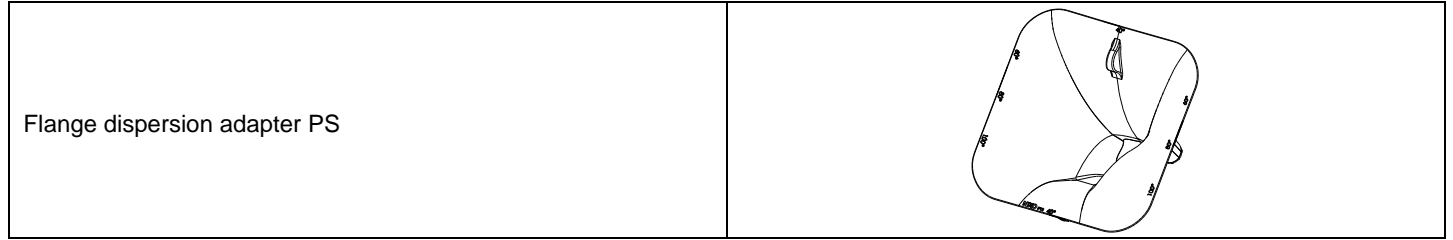


**PNI-WM330**

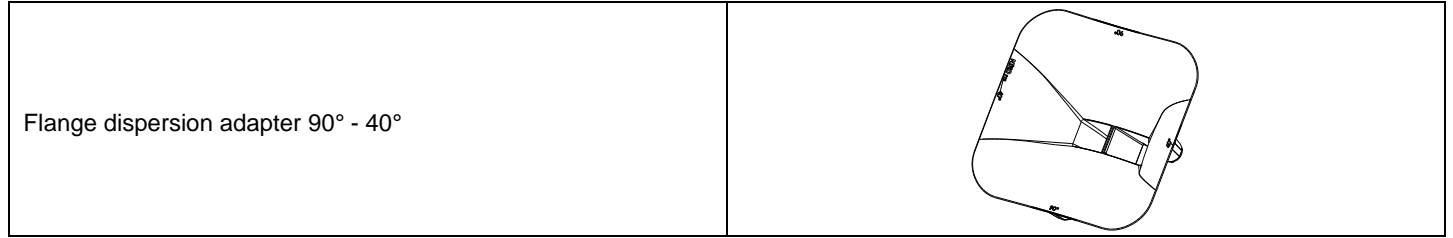
Wallmount for P12, with WMADAPT



**ARRAY EQ**  
**PNT-P12FLGPS**



**PNT-P12FLG9040**



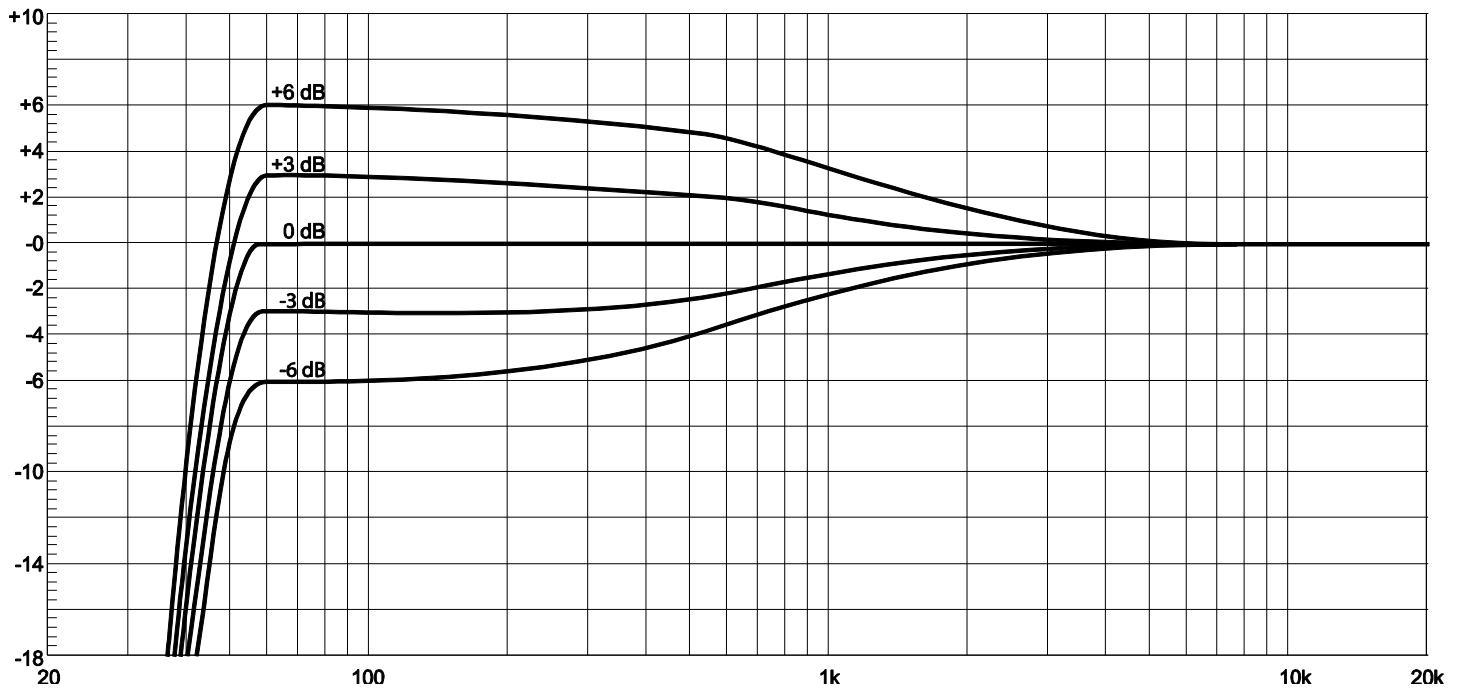
**PNT-2CASE12: FLIGHT CASE FOR 2X P12**

**PNT-ACC12: FLIGHT CASE FOR P12 ACCESSORIES**

**PNT-COV12: COVER FOR P12**

**ARRAY EQ**

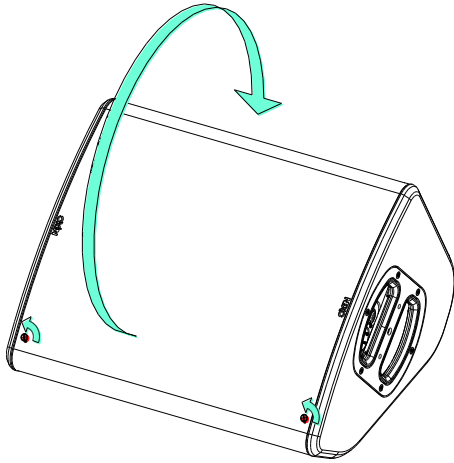
The ArrayEQ allows to adjust the system frequency response in its lower range  
(see curves below, with different ArrayEq values):



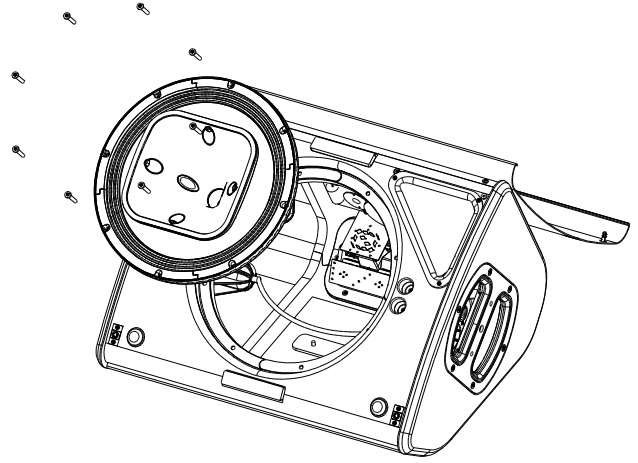
**MAINTENANCE**

**Driver access**

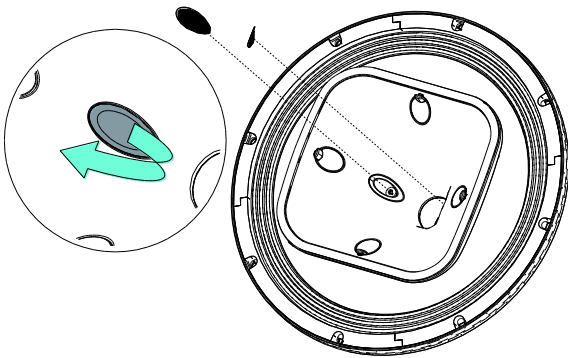
**1** Unlock the 2 quarter-turn screws, Remove the grille.



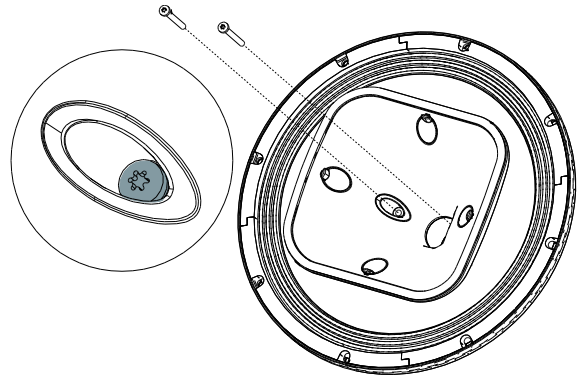
**2** Remove 8 screws.



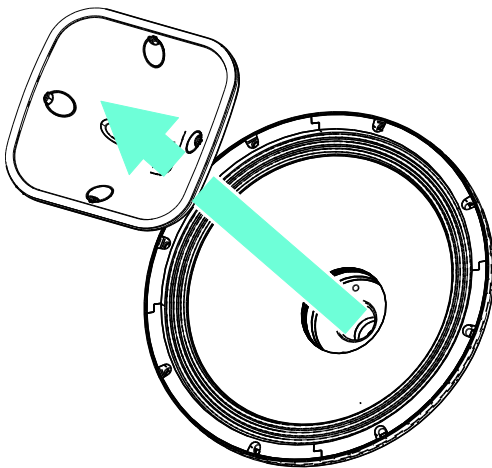
**3** Remove the stickers.



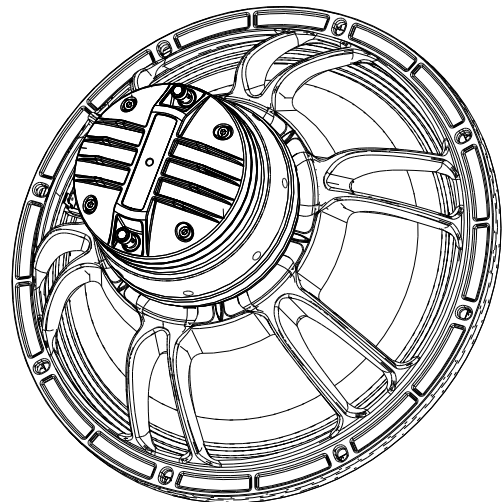
**4** Remove the 2 screws.



**5** Remove the horn.



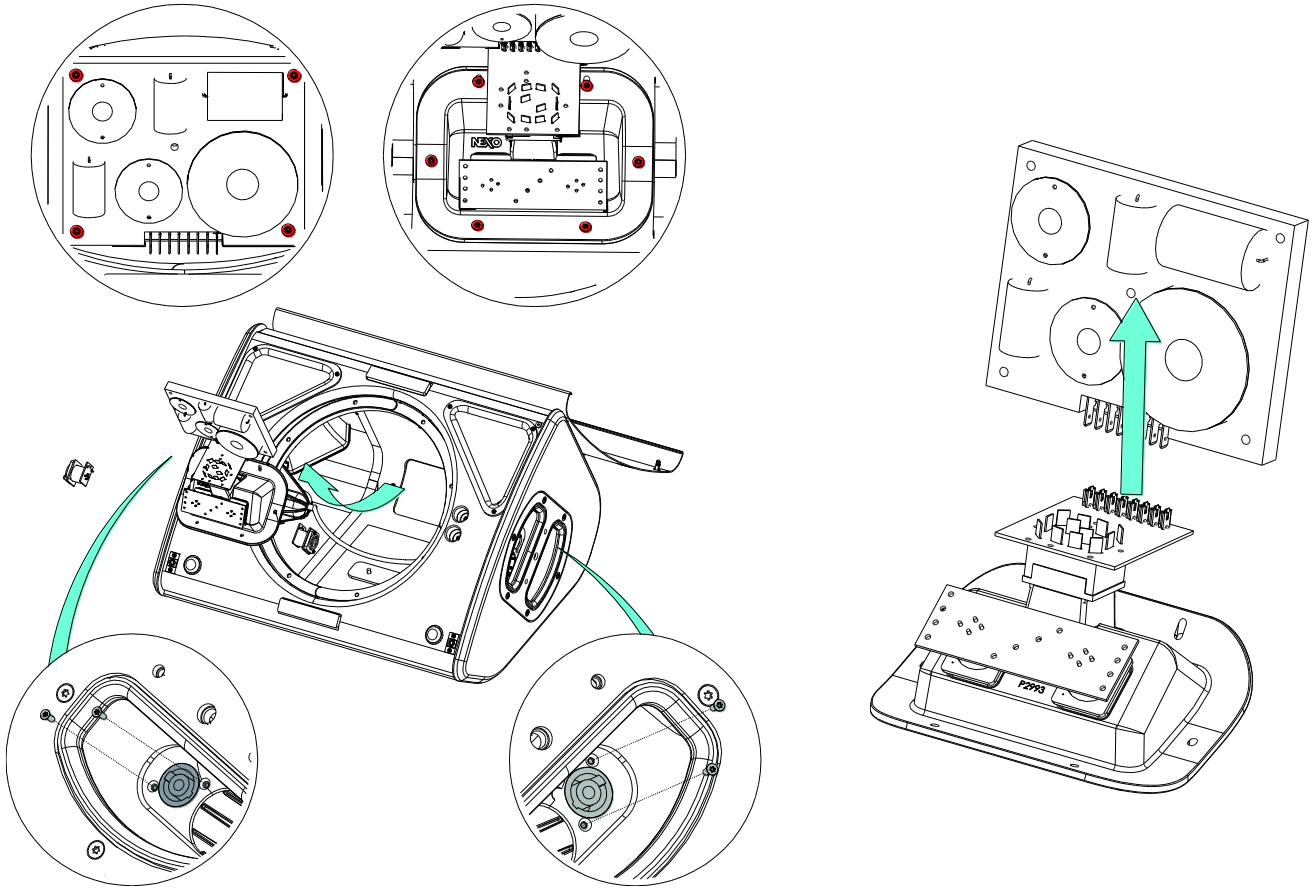
**6** To access to the HF diaphragm, remove 4 screws.



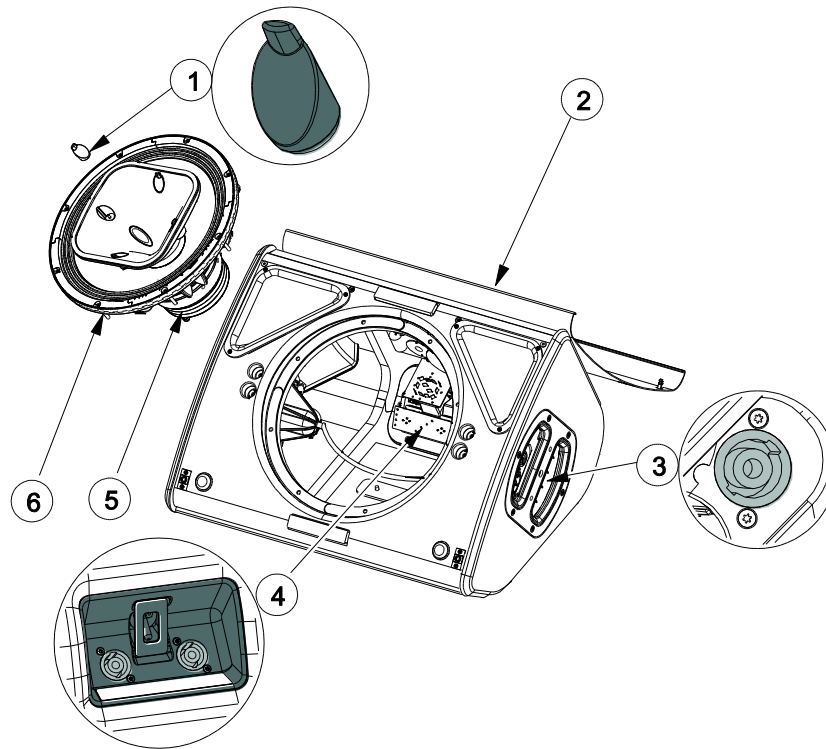
## MAINTENANCE

### CNX access

- Remove the screws of the connector inside the handles.
- Remove the screws of the CNX (6) and of the Passive filter (4).
- Unplug the CNX from the passive filter.



Spare parts



MARK	QUANTITY	REFERENCE	DESIGNATION
1	4	05CAPB01	HF cap black
	4	05CAPB01-PW	HF cap White
2	1	05P12UA	Complete grille Touring Black (with fasteners)
	1	05P12UA-PW	Complete grille Touring White (with fasteners)
3	2	05SPK01	Speakon NL4 complete (with screws)
4	1	05CNXP01	CNX complete Black (with screws)
	1	05CNXP01-PW	CNX complete White (with screws)
5	1	05NHP12R/K	HF diaphragm (with screws)
6	1	05HPC12	P12 driver complete (with screws)
	1	05HPC12R/K	Recone Kit 12" (with screws)

**TECHNICAL SPECIFICATIONS**

**P12 WITH NEXO ELECTRONICS**

Model	P12
Frequency range ( $\pm 6\text{dB}$ )	60 Hz – 20 kHz
Peak SPL Level (1m)	138dB Peak (Passive mode) / 140dB Peak (Active mode)
Operating voltage	55Vrms (180Vpeak)
HF dispersion (according to horns)	60°x60° - 90°x40° - Asymmetrical Dispersion 60° to 100°x40°
Crossover Frequency	60Hz – 85 Hz
Nominal Impedance	Active mode (8Ω LF, 8Ω HF) – Passive mode: 8Ω

**SPECIFICATIONS**

Model	P12
Components	LF: 1x12" - 8Ω; HF : 1x 3 " - 8Ω - Neodymium driver
Material	Baltic birch / Poplar plywood
Finish	Black or white structural paint
Front finish	Steel front grille + Back mesh
Fittings	Handle on both sides Threated inserts on the back and on both sides for connection of mounting accessories Stand fitting on both sides (35mm / 1"3/8)
Connector	4x NL4, 4 poles connectors; 2 on the back and 1 on both sides
Weight	20 kg / 44 lb

Dimensions	<p>The technical drawings show the following dimensions:</p> <ul style="list-style-type: none"> <li>Front view: width is 17,0 inches (432 mm).</li> <li>Side view: height is 21,0 inches (534 mm) and depth is 12,3 inches (314 mm).</li> <li>Top view: shows a trapezoidal shape with a 15° angle on the left side and a 55° angle on the right side.</li> </ul>
------------	---



**USER NOTES**

NEXO S.A.

Parc d'activité de la Dame Jeanne  
F-60128 PLAILLY

Tel: +33 3 44 99 00 70  
Fax: +33 3 44 99 00 30  
E-mail: [info@nexo.fr](mailto:info@nexo.fr)

[nexo-sa.com](http://nexo-sa.com)

**NEXO**