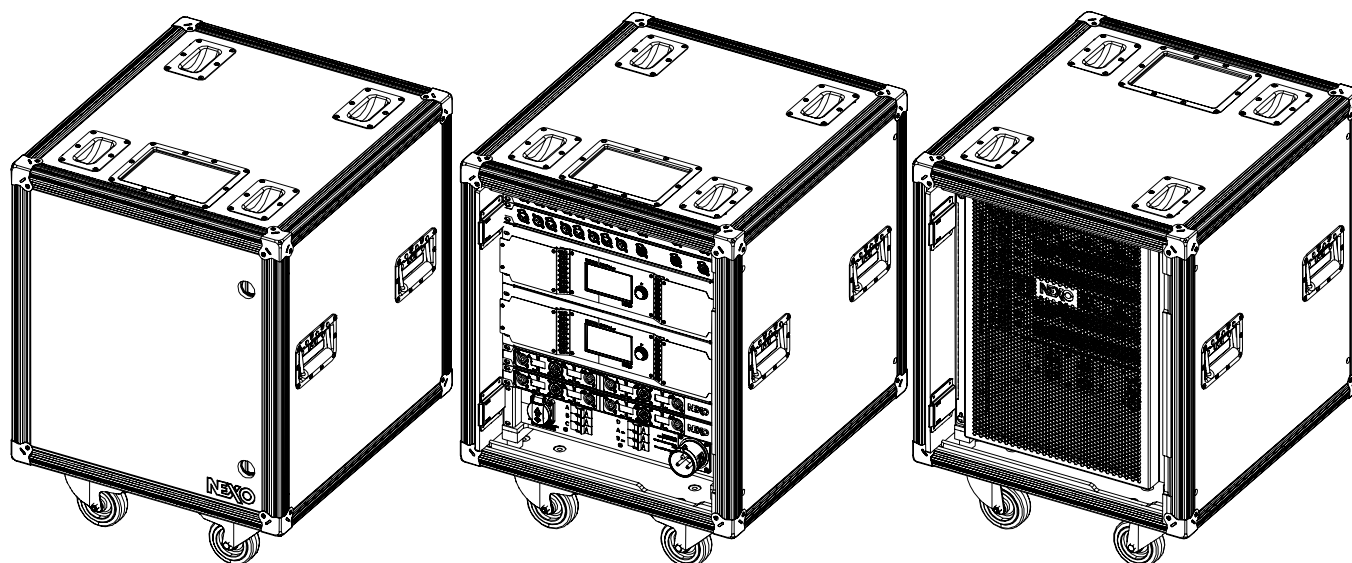


# NUARmk2

DP6783 – 01d- DI



## NUAR Universal Rack mk2



### Contents:

- 2x DPU: Digital Patching Unit for NXAMP  
<https://www.nexo-sa.com/products/dpu/>
- 2x DMUmK2: Digital Meter Unit for NXAMP  
<https://www.nexo-sa.com/products/dmu/>
- 2x NXAMPmk2 4x4: Powered TD Controller  
<https://www.nexo-sa.com/products/nxamp4x4mk2/>
- NXAEDT (option)  
<https://www.nexo-sa.com/products/nxaedt/>
- 1x PowerBox: Power distribution 220V-20A

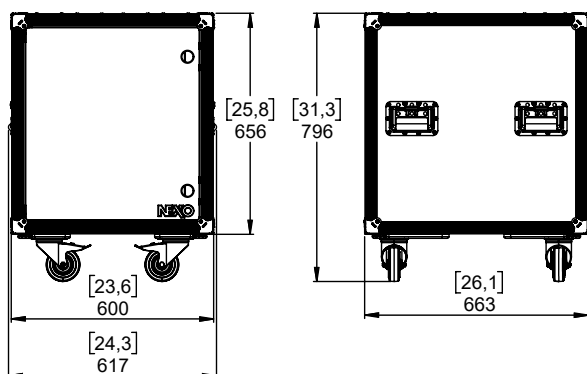
Weight: 116 kg / 255 lb



nexo-sa.com  
ZA du Pre de la Dame Jeanne  
60128 PLAILLY - France

- Read this document before using.
- Keep this document.
- Observe all warnings and cautions.



**Dimensions:****Versions:**

|               |   |
|---------------|---|
| NUAR2MK2X     | UNIVERSAL NUAR RACK MK2 WITHOUT POWER SUPPLY          |
| NUAR2MK2X-DNT | UNIVERSAL NUAR RACK MK2 + AEDT WITHOUT POWER SUPPLY   |
| NUAR2MK2B     | UNIVERSAL NUAR RACK MK2 + POWER DISTRIBUTION - BLUE   |
| NUAR2MK2B-DNT | UNIVERSAL NUAR RACK MK2 + AEDT + PS BLUE              |
| NUAR2MK2R     | UNIVERSAL NUAR RACK MK2 + POWER DISTRIBUTION - RED    |
| NUAR2MK2R-DNT | UNIVERSAL NUAR RACK MK2 + AEDT + PS RED               |
| NUAR2MK2Y     | UNIVERSAL NUAR RACK MK2 + POWER DISTRIBUTION - YELLOW |
| NUAR2MK2Y-DNT | UNIVERSAL NUAR RACK MK2 + AEDT + PS YELLOW            |

Where necessary, the power distribution boxes feature colour-coding to assist power balancing when using three phase supplies. The colour-coding is also labelled on the front of the rack case.

**DPU**

The DPU optimizes the NXAMPmk2's channel by channel preset selection by automatically routing its outputs to any of six output connectors on the DPU front panel.

Cabinet names and bridging status are displayed alongside each output, making it easy to wire the system.

**DMUmk2**

The DMUmk2 enables easy monitoring of all activity on the NXAMPmk2's audio inputs, with signal and power supply coming from the amplifier's GPIO port.

Front panel features include four analog XLR inputs plus link, AES/EBU inputs, four RJ45 ports for digital audio networking and LED VU meters.

**NXAMPmk2 4x4**

The NXAMPmk2 combines advanced signal processing with four state-of-the-art Class D amplifiers to create a flexible, light-weight powering and control solution for NEXO loudspeaker systems.

Most importantly, the new NXAMPmk2 achieves a whole new level of sound quality, partnering with NEXO speakers to deliver a whole new level of audience experience.

**NXAEDT (option)**

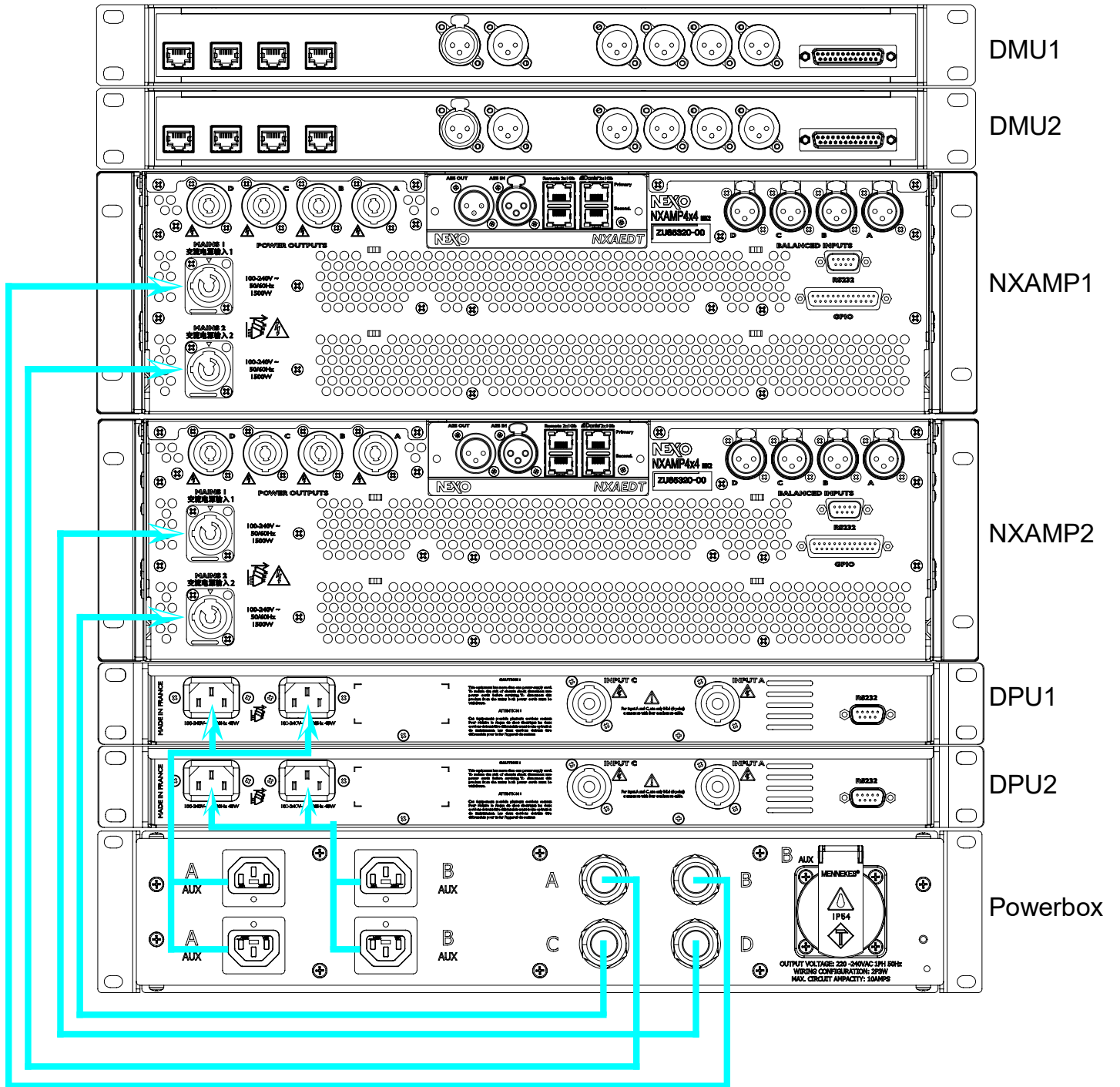
Extension card for NXAMPmk2 with AES/EBU and DANTE™ inputs

**PowerBox**

Power distribution box, 220V – 20A with 32a 3PN+E

INTERNAL CABLING

Power Supply



- Powerbox A / Powerbox B => NXAMP1 Mains 1 – 2
- Powerbox C / Powerbox D => NXAMP2 Mains 1 – 2
- Powerbox Aux A => DPU1
- Powerbox Aux B => DPU2

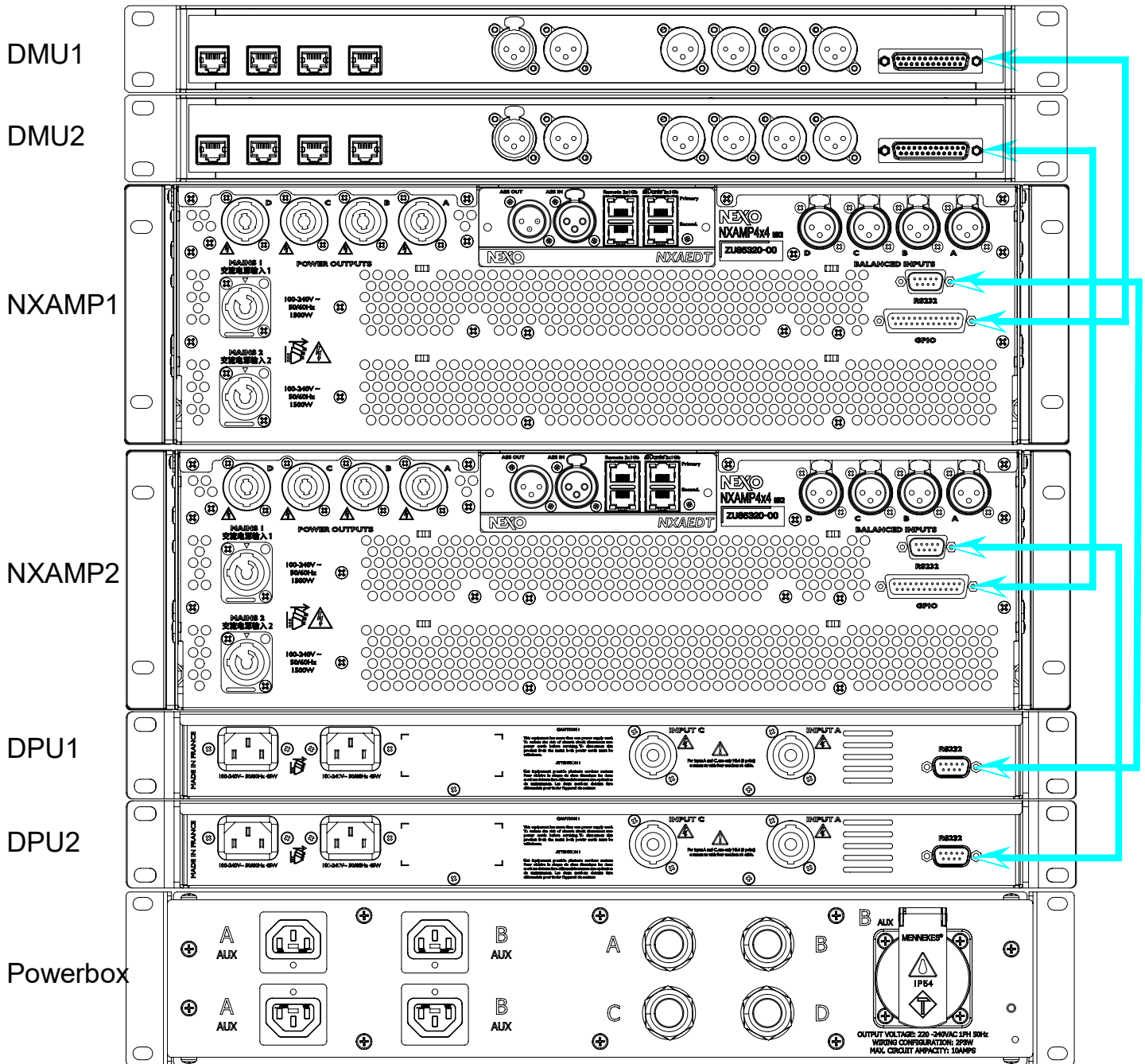


nexo-sa.com  
 ZA du Pre de la Dame Jeanne  
 60128 PLAILLY - France

- Read this document before using.
- Keep this document.
- Observe all warnings and cautions.



Remote



- NXAMP1 RS232 => DPU1 RS232
- NXAMP1 GPIO => DPU1 GPIO
- NXAMP2 RS232 => DPU2 RS232
- NXAMP2 GPIO => DPU2 GPIO

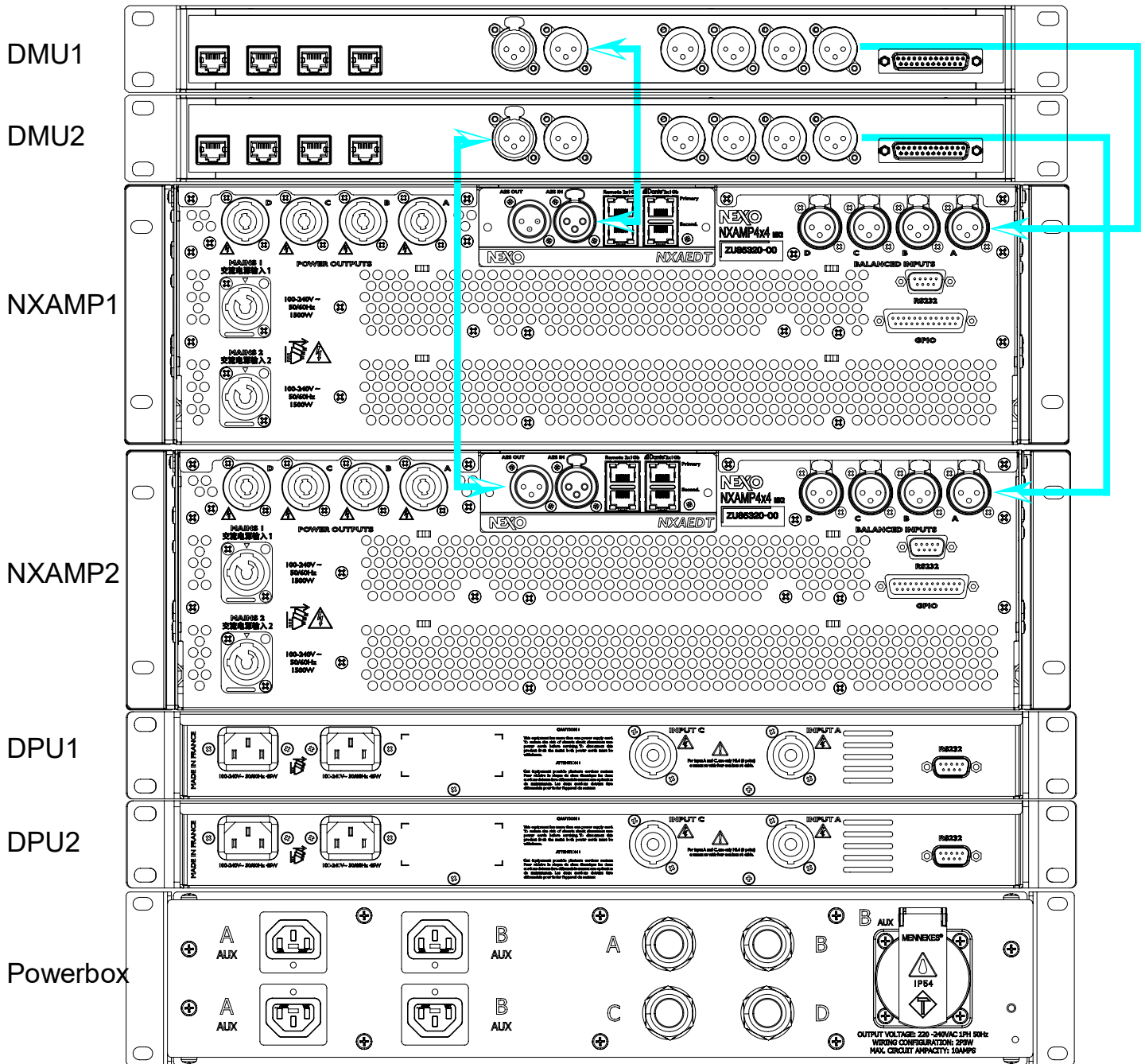


nexo-sa.com  
 ZA du Pre de la Dame Jeanne  
 60128 PLAILLY - France

- Read this document before using.
- Keep this document.
- Observe all warnings and cautions.



Input Analog / AES



Analog Balanced Input

- NXAMP IN A => DMU A
- NXAMP IN B => DMU B
- NXAMP IN C => DMU C
- NXAMP IN D => DMU D

AES

- NXAEDT OUT => DMU AES IN
- NXAEDT IN => DMU AES OUT

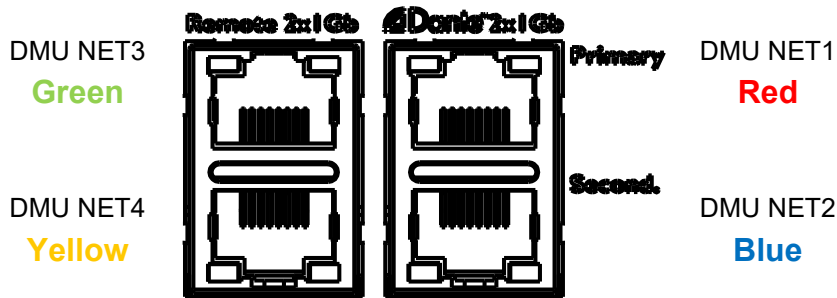
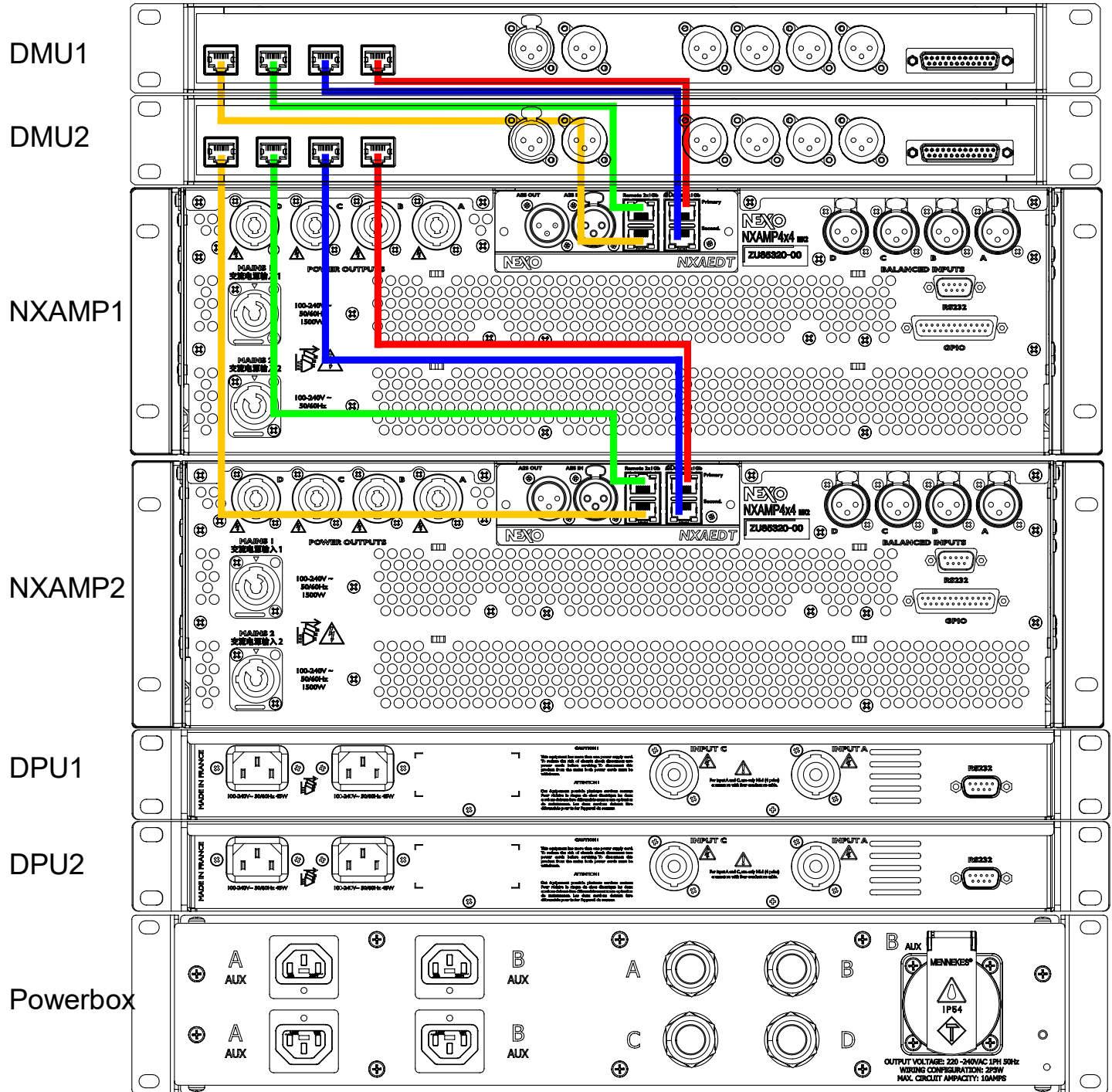


nexo-sa.com  
 ZA du Pre de la Dame Jeanne  
 60128 PLAILLY - France

- Read this document before using.
- Keep this document.
- Observe all warnings and cautions.



Network



!! Network cables may differ in color, but only the right connection counts.

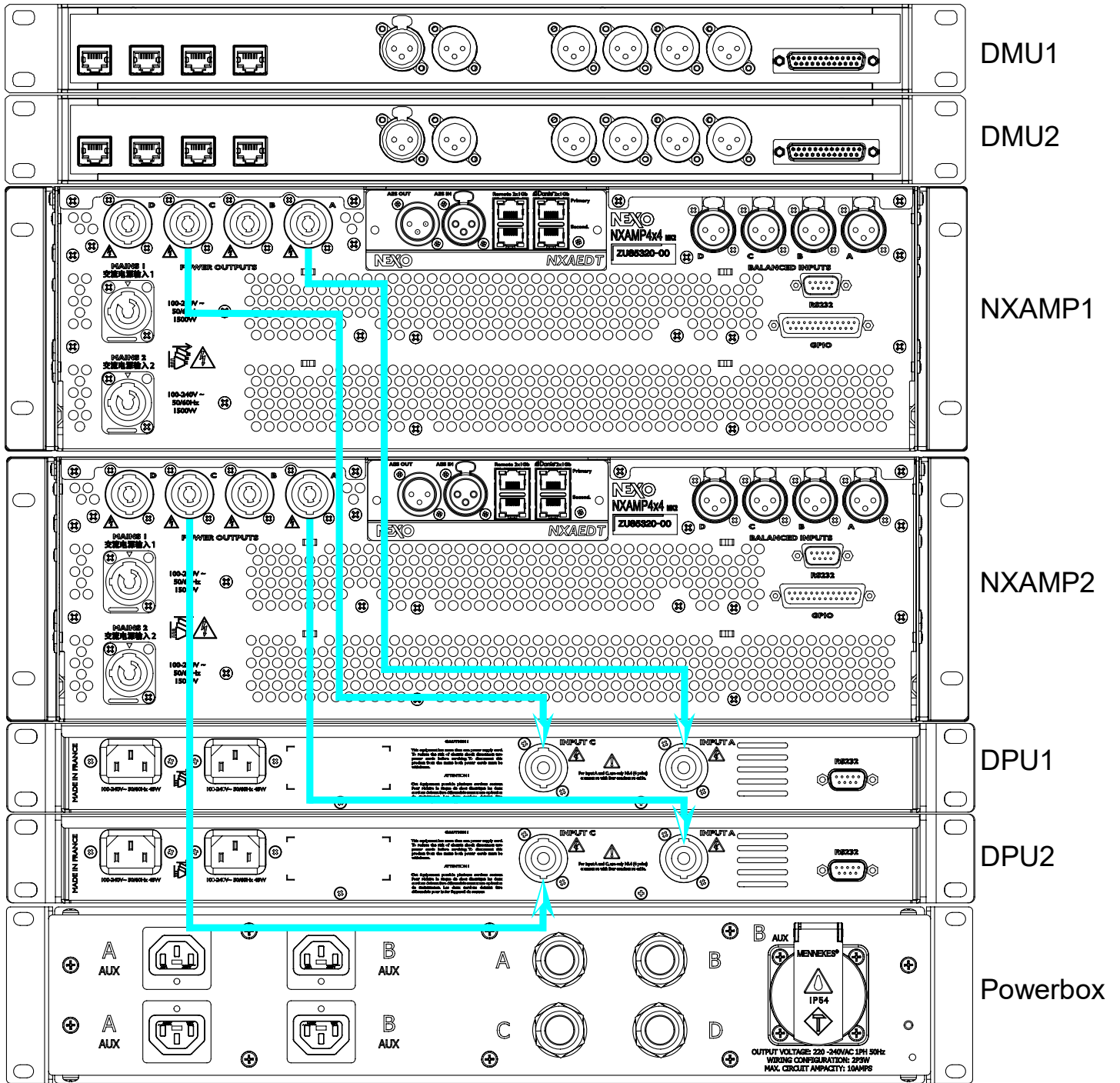


nexo-sa.com  
 ZA du Pre de la Dame Jeanne  
 60128 PLAILLY - France

- Read this document before using.
- Keep this document.
- Observe all warnings and cautions.



Output Power



- NXAMP1 OUT A => DPU1 IN A
- NXAMP1 OUT C => DPU1 IN B
- NXAMP2 OUT A => DPU2 IN A
- NXAMP2 OUT C => DPU2 IN C



nexo-sa.com  
 ZA du Pre de la Dame Jeanne  
 60128 PLAILLY - France

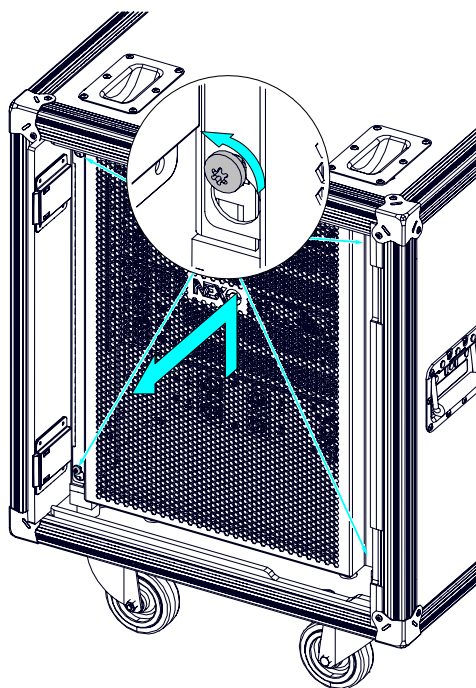
- Read this document before using.
- Keep this document.
- Observe all warnings and cautions.



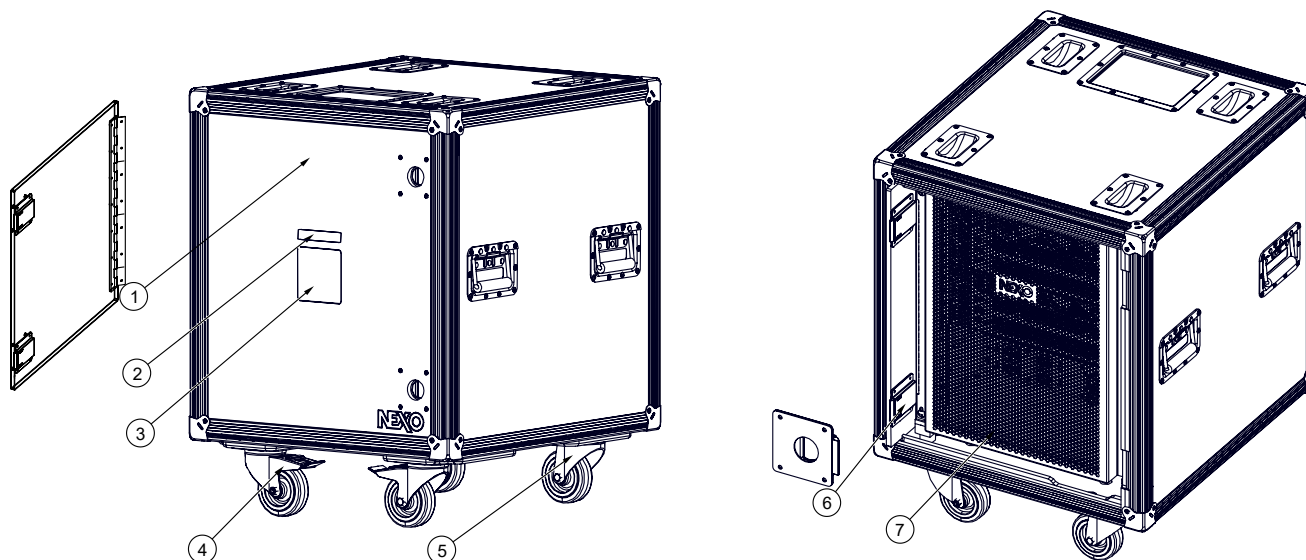
## Rear grid disassembly

Unscrew the 4 screws.

Lift the grid and remove it.



## Spare parts



| MARK | QUANTITY | REFERENCE        | DESIGNATION                |
|------|----------|------------------|----------------------------|
| 1    | 1        | 05NUARDOOR12U-FR | Front door NUAR mk2        |
|      | 1        | 05NUARDOOR12U-BK | Back door NUAR mk2         |
| 2    | 1        | 05LOGNUAR-COLOR  | Color Label kit for NUAR   |
| 3    | 1        | 05LOGO-NUAR      | NEXO Label for NUAR        |
| 4    | 2        | 05ROU208         | Castor 100mm with brake    |
| 5    | 2        | 05ROU208-SF      | Castor 100mm without brake |
| 6    | 2        | 05LATCH-12U      | Latch for NUAR 12U         |
| 7    | 1        | 05AMBLK-12U      | Grid for NUAR 12U          |

- NEXO cannot accept responsibility for accidents caused by any factor other than defects in this product itself.
- Please check the web site [nexo-sa.com](http://nexo-sa.com) for the latest update.

# NEXO

nexo-sa.com

ZA du Pre de la Dame Jeanne  
60128 PLAILLY - France

- Read this document before using.
- Keep this document.
- Observe all warnings and cautions.

