



iD INSPACE
DEFINITION

Compact Sound Reinforcement System



Corporate &
Public Spaces



Theatres



Bars &
Restaurants



Houses of
Worship



Immersive
Audio

Power With Control

With a shared sonic signature, ID Series speakers create thrilling and immersive sonic experiences in the most complex acoustic environments



Corporate & Public Spaces



Theatres



Bars & Restaurants



Houses of Worship



Immersive Audio

IP54 Rated
Installation versions of the ID24 and ID84 cabinets are IP54-rated for use in outdoor applications. ID14 is IP55-rated.



iD14

A super-compact powerhouse

Employing a single, 4-inch coaxial driver, the super-compact ID14 might be the smallest loudspeaker that NEXO has ever built, but it punches well beyond its size and weight with the signature NEXO performance of powerful and dynamic full range sound. Equally at home in a hospitality environment or as part of sophisticated, immersive sound system, the ID14 features optional HF directivity and a myriad of mounting and connecting options, and finishes, delivering uniform audience coverage with low visual impact, indoors or out.



iD24

Thrilling sound, venue-wide

With two 4-inch drivers in a unique V-formation and a user-rotatable horn for variable HF dispersion, the ID24 continues the theme of combining powerful, full range performance from a compact cabinet with unprecedented levels of versatility and flexibility for system designers and installers. NEXO NXAMP and DTDAMP power and processing solutions include presets for all ID24 horn settings – and all other ID Series cabinets, making it easy to configure high-performance systems in complex, zoned environments, ensuring consistently superior sonic experiences for visitors as they move throughout the venue.



ID Series cabinets can be specified in any RAL colour to ensure a low visual impact in every installation.

iD84

Taking the column speaker to new heights

NEXO's ID84 supercharges the concept of the column loudspeaker, expanding its role beyond traditional voice reproduction into powerful, high-quality music applications. Suddenly, venues like sports stadia and transport hubs can both inform and entertain visitors with thrilling and immersive audio experiences, and develop new revenue models with new types of content. And NEXO innovation extends way beyond sonic performance, as the ID84 also sets new standards in visual design, ease of installation and versatility of deployment.



Precision Sound Right where it's needed

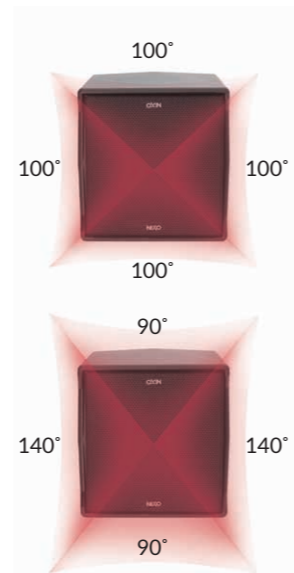
When it comes to creating the perfect immersive audio experience, directivity control is key to the superior performance of NEXO's compact ID Series speakers.

iD14

Optional dispersions

Used as a standalone speaker, partnered with the IDS108 sub or as part of a larger system with other ID Series speakers, the ID14 delivers powerful, full range sound from an exceptional compact form factor. To ensure perfect coverage in every application, the ID14 is available in two different HF coverage options: the standard 100°x100° horn, or an asymmetric version offering 90°x140° dispersion.

NXAMP_{MK2} power and processing provides dedicated presets for both horn options.



iD24

User-rotatable horn

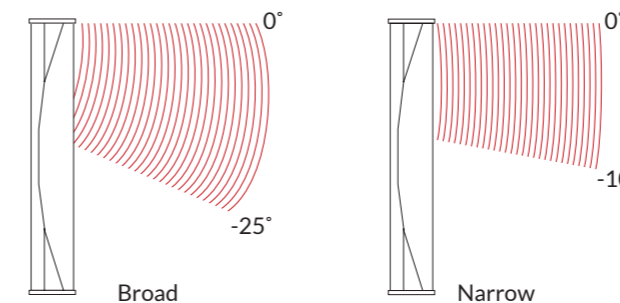
The ID24 features a unique user-rotatable horn that lets users quickly select between 120° x 40° or 40° x 120° HF coverage, bringing unparalleled flexibility to the world of compact speakers. You don't even have to remove the grille or open the cabinet. And the versatility of the ID24 is further enhanced by a selection of horn options with dispersions including 60° x 60°, 90° x 40°, 120° x 40° and 120° x 60°.

iD84

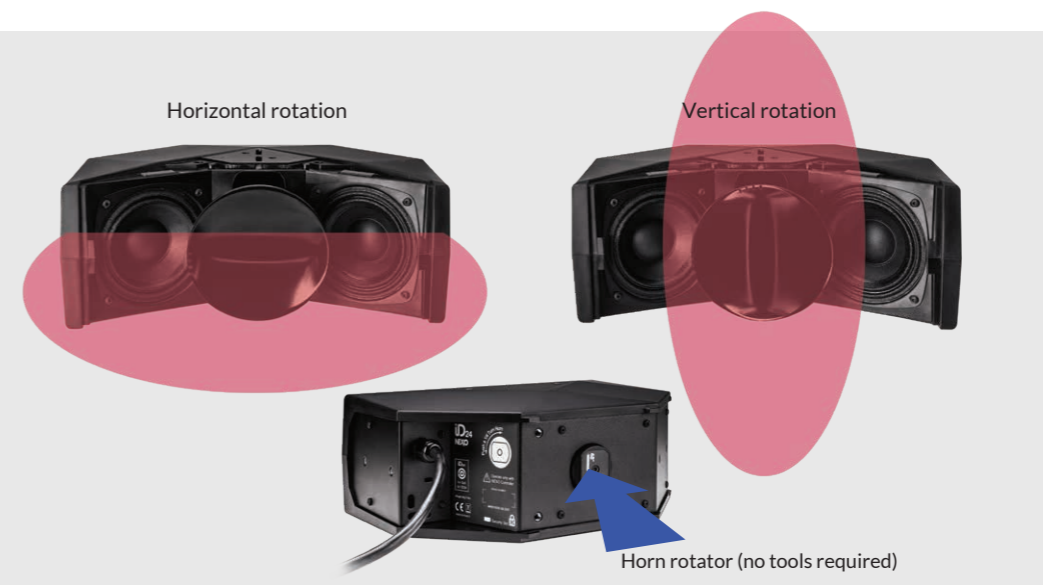
Switchable vertical directivity

The ID84 features a unique and easy to use system for changing vertical high frequency dispersion.

A switch on the rear of the cabinet controls a passive filter which effectively changes the delay settings of the dome tweeter array at the top of the cabinet which, in turn, switches the HF vertical dispersion from broad (0° to -25°) to narrow (0° to -10°). The facility to create longer columns by joining cabinets vertically provides additional control over LF directivity (see page 8), resulting in a column speaker that's uniquely adaptable for its environment and application.



Vertical dispersion switch on the rear of the ID84 column.





iD84

Column speaker

Measuring 150mm wide x 215mm deep x the standard 1m high (39.0" x 5.9" x 8.5") and weighing 15kg (33lbs), the ID84 uses eight 4 inch drivers and an array of dome tweeters on a curved baffle in a light weight aluminium cabinet with a rigid steel spine. The choice of dome tweeters over a conventional HF compression driver results in particularly low levels of distortion and contributes to a 'hi-fi' performance that extends the ID84's suitability well beyond the traditional column speaker role of voice reproduction into music applications. The ID84 achieves a frequency range of 90Hz to 20kHz with a peak SPL of 136dB. The unique directivity switch on the rear panel enables instant switching of vertical HF dispersion, and cabinets can be linked 'end-to-end' to create longer columns. Multiple rigging options and a comprehensive range of accessories make it easy to deploy the ID84 in a wide range of fixed installations and mobile applications.

Using an array of dome tweeters rather than a compression driver significantly lowers HF distortion and gives the ID84 a 'hi-fi-like' sonic character.



Installed Systems



Wall mounting

ID accessories make it easy to wall-mount ID84 columns.



Rigging

A small bumper can be fixed to the top of the cabinet for hoist-mounting.

Mobile Applications



Pole mounting

ID84s can be pole mounted on a base board to create an elegant, freestanding system.



Rigging clamp

Rigging clamps are available for truss-mounting.



Sub mounting

An ID84 on a IDS312 sub creates a powerful, but visually unobtrusive FOH system.



Floor mounting

Adding an ID84L beneath the main ID84 cabinet creates a visually appealing and highly-effective full-range system.

ID84 Touring, Install, TIS and Low-Extension Models

Also available, the ID84L is an LF extension version of the ID84, identical in every way but without the dome tweeters. Touring versions of both models feature Magnelis steel grilles. Installation versions use an acoustic cloth over the front of the grilles. The TIS version is actually a Touring version plus the acoustic cloth in front. All versions are available in black, white or custom RAL colour on request. Connectivity on the Touring versions is via a Speakon connector on the rear plate, while Installation versions use a cable gland with a 2 core cable for audio input, ensuring IP54 protection.



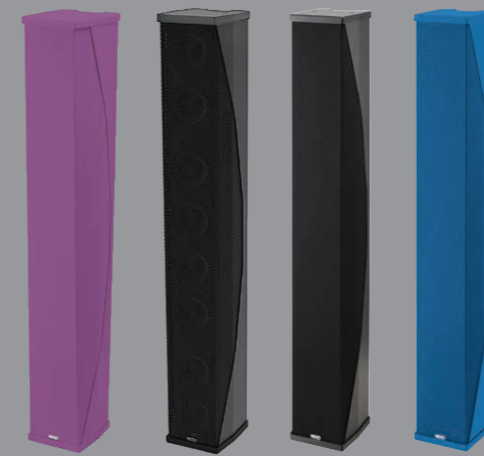
Install connector



Touring connector



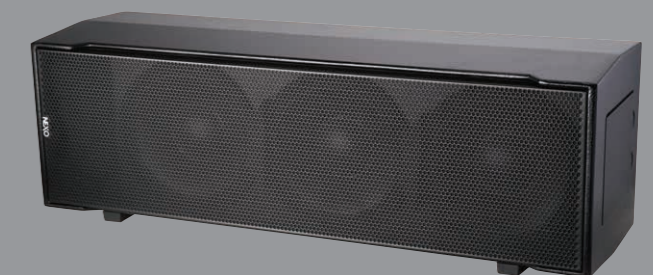
ID84-T ID84-I



ID84-TIS ID84L-T ID84L-I ID84L-TIS

IDS312 Subs

A dedicated 3 x 12" sub features a convenient system for mounting and connecting an ID84 cabinet on top, extending system LF response down to 40Hz and creating a full range system that's 2m in height. The IDS312 also features rubber strips to isolate vibration in horizontally-mounted applications.

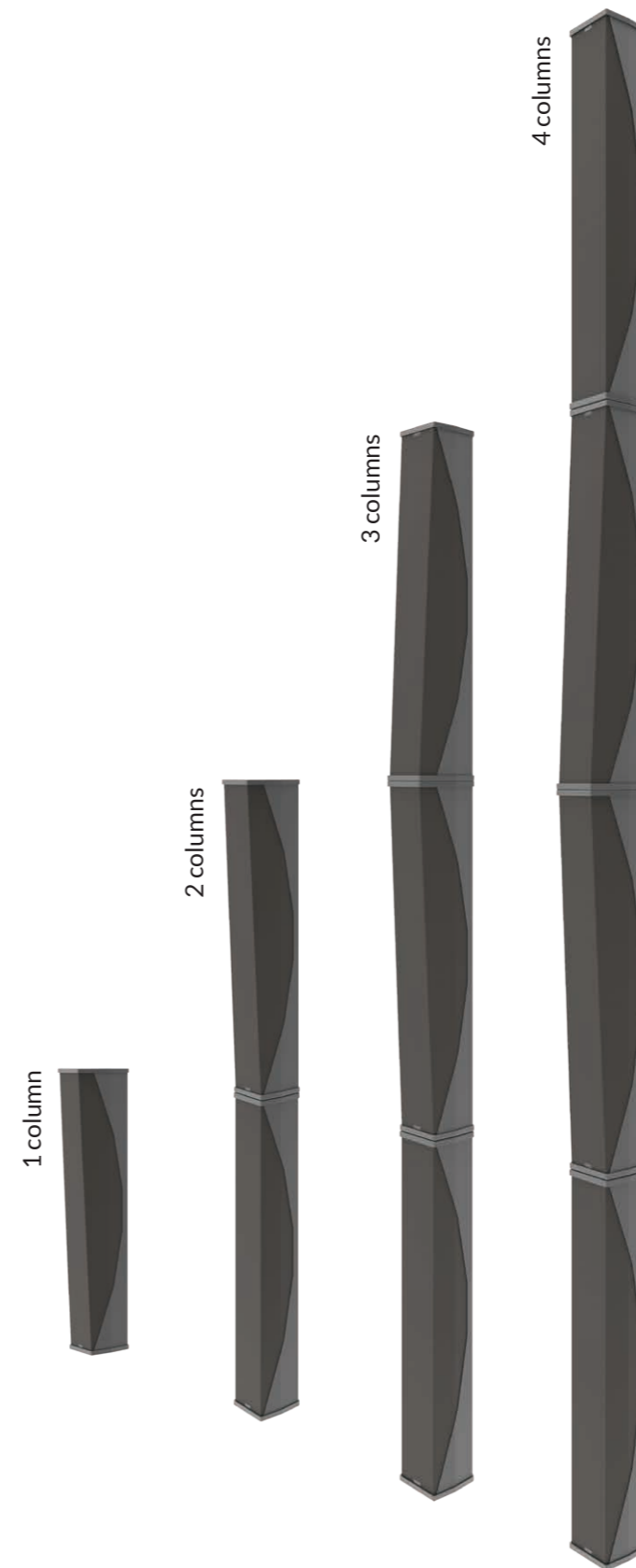
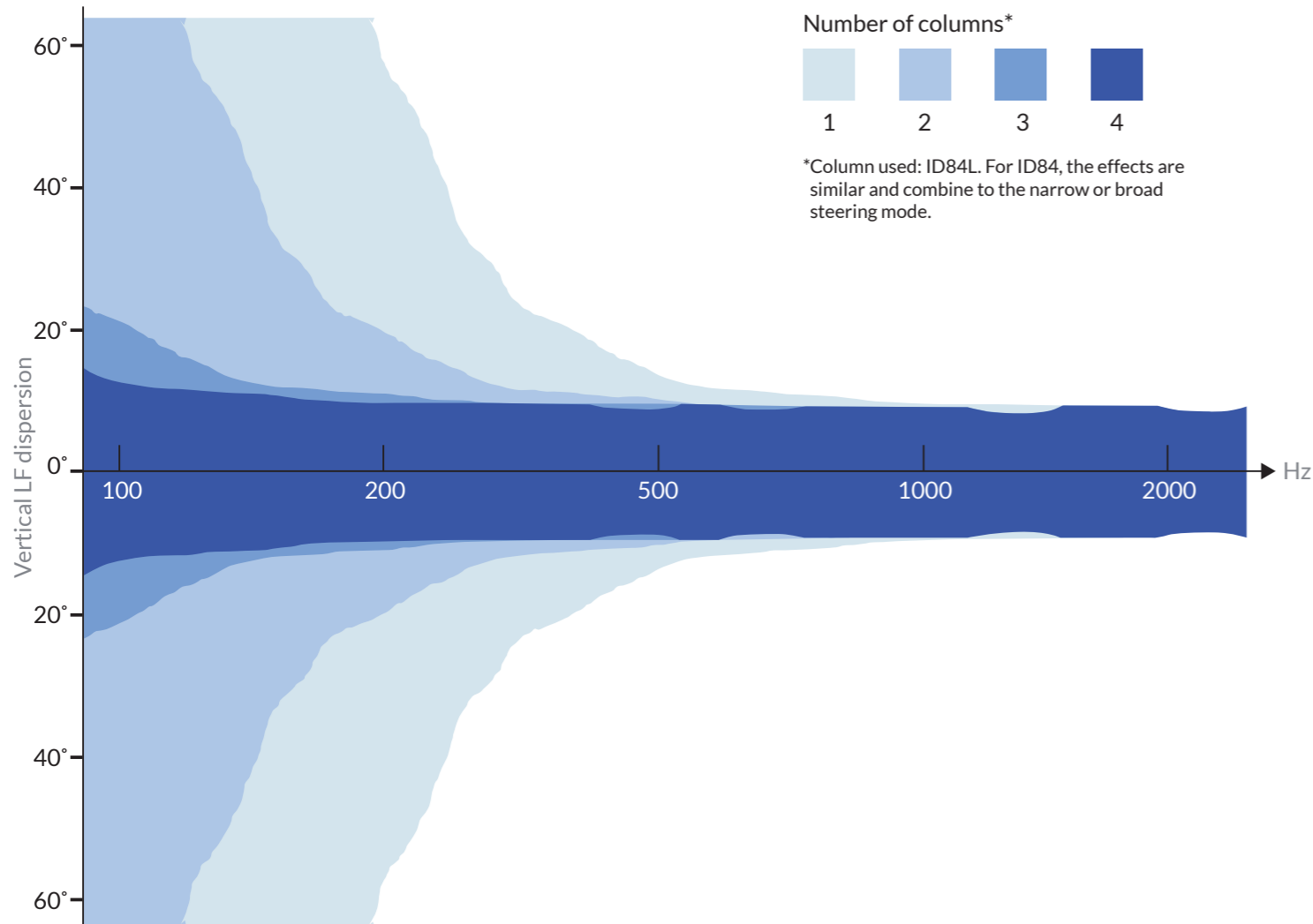


IDS312-T / IDS312-I

iD84

Superior LF control

As cabinets are joined together to create longer columns in 1 metre increments, so the low frequency dispersion becomes more focussed, increasing clarity and intelligibility in large space applications like train stations and shopping malls.



Instant cabinet coupling

A dedicated coupling bracket is used to join cabinets to create longer columns. ID84 cabinets are joined with the top cabinet inverted, such that tweeters are close-coupled for uncompromised high frequency performance.





IP54 Rated
Installation versions ID24 cabinets can be specified in any RAL colour and are IP54-rated for use in outdoor applications.

iD24

Compact speaker

Measuring 132mm x 309mm x 233mm (5.2" x 12.2" x 9.2") and weighing 6kg (13lbs), the ID24 uses twin 4 inch drivers in a V formation in a robust Polyurethane cabinet and achieves a frequency range of 95Hz to 20kHz with a peak SPL of 126dB. The unique, user-rotatable horn can be used to quickly select a range of HF directivity options, ensuring that horizontal and vertically mounted cabinets can be matched precisely to the application, with a dedicated preset for each horn option in the NXAMP powered controller to ensure perfect coverage at any frequency. Multiple rigging options include threaded M10 on Install models and rigging points on touring versions.

Installed Systems



Horizontal mounting

Compact and powerful, ID speakers and subs are ideal for discreet horizontal placement, bracketed to walls or ceilings.



Vertical mounting

With innovative V formation drivers, ID24 is equally at home mounted horizontally or vertically.



Bracket mounting

The U-Bracket can be used to mount ID24 to a variety of structures and surfaces.



Under balcony

Ideal for theatre applications, ID24 units can be used under balconies to reach the audience areas that the main system does not cover.

Mobile Applications



Stage front-fill

Use ID24 to 'beam' sound into the first rows of the audience from the stage, ensuring total coverage and the best listening experience throughout a venue.



Pole mounting

For touring applications, ID24 can be quickly and easily pole-mounted using the optional IDT-TVP mounting bracket.



Flown and wedge

For live sound applications, ID24 is a single box solution that can be flown or even used as a wedge thanks to its innovative angled design.



ID24-T

ID24-I

ID24-C

ID24 Touring, Install and A La Carte Models

Touring versions of the ID24 feature Magnelis steel grilles and are available in black, white or custom RAL colours. Installation and Carte versions use an acoustic cloth over the front of the grilles and are also available in black, white or custom RAL colours. Connectivity on the Touring versions is via two Speakon connectors on the rear plate, while Installation and Carte versions use a cable gland with a 2 core cable for audio input, ensuring IP54 protection.



Install connector



Touring connector

IDS110/210 Subs

Dedicated 1x10" and 2x10" subs are available, extending ID24 system LF response down to 43Hz. With a low-profile, sleek design, IDS110 and IDS210 subs are easily installed discretely in a wide range of locations - within walls, staircases, under furniture and more. Available in Touring and Install versions, the IDS110 measures 285mm x 525mm x 550mm (11.2" x 20.7" x 21.7") and the IDS210 measures 285mm x 525mm x 550mm (11.2" x 20.7" x 21.7").

IDS110-T/IDS110-E



IDS210-T / IDS210-E



iD14

Super-compact speaker

Measuring just 130mm x 130mm x 120mm (5.1" x 5.1" x 4.7") and weighing only 1.7kg (3.7lbs), the ID14 employs a single custom-designed coaxial driver in a robust Polyurethane cabinet. Despite its super-compact size, the ID14 achieves a full frequency range of 120Hz to 20kHz with a peak SPL of 116dB. Thanks to its fully symmetric design, there are no left or right version of the ID14, so all speakers in the inventory are the same. A choice of directivity options ensures that cabinets can be matched precisely to the application, with a dedicated preset for each horn option in the NXAMP powered controller to ensure perfect coverage at any frequency. Multiple rigging options are provided by a threaded M10 on each side of the cabinet, and two M6 inserts with a 73mm pitch on the back.

Installed Systems



Wall mounting

M6 inserts with a 73mm pitch are ready to receive NEXO wall mounting accessories.



Sub mounting

The ID14 can also be mounted directly onto the IDS108 sub.



Bracket mounting

The U-Bracket can be used to mount ID14 to a variety of structures and surfaces.

Mobile Applications



Pole mounting

The ID14 can be pole-mounted on the IDS108 sub for mobile applications.



Mic stand mounting

A threaded M10 on each side of the ID14 enables mounting on a microphone stand.



Stage front-fill

Use ID14 to 'beam' sound into the first rows of the audience from the stage, ensuring total coverage and the best listening experience throughout a venue.



ID14 Touring and Install Models

Touring versions of the ID14 feature Magnelis steel grilles and are available in black, white or custom RAL colours. Installation versions use an acoustic cloth over the front of the grilles and are also available in black, white or custom RAL colours. Connectivity on the Touring versions is via two Speakon connectors on the rear plate, while Installation versions use a cable gland with a 2 core cable for audio input, ensuring IP55 protection.



Install connector



Touring connector

IDS108 Subs

Measuring 305mm x 307mm x 305mm (12.0" x 12.1" x 12.0") and weighing 8 kg (17.6 lbs), the IDS108 sub employs a single 8" long excursion Neodymium driver. The perfect partner to the ID14, the IDS108 is also available in touring and install versions, extending LF down to 50Hz.



IDS108-I

IDS108-T

DIGITAL TD CONTROLLER nanoNXAMP4

The cost-efficient power and processing solution for ID Series installations



Versatile, scalable, controllable

Available in standard and Dante-equipped versions, the 4-channel nanoNXAMP4 combined amplification and processing solution significantly reduces the cost of NEXO ID Series systems for retail, hospitality, houses of worship and corporate installations, without compromising the sound quality.

Ultra-low distortion and highly reliable Class D amplification delivers 4 x 250W, providing the same acclaimed sound quality and sonic signature as NEXO's larger NXAMP_{MK2} TD Controllers. Processing uses FIR filtering for precise system EQ and linear phase compatibility, with presets available for a NEXO Series speakers.

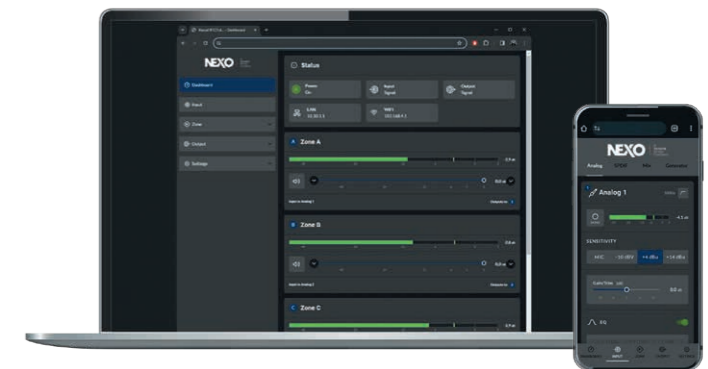
With a universal mains voltage range of 100 to 240 Volts, comprehensive connectivity and compatibility with industry-standard remote-control protocols, on-board mixer and matrix functions further reduce the overall cost of smaller installations. Wall remote controls are available and can be configured to allow users to select sources and control volume.

An intuitive web-based GUI for system design and set up

Configure and control systems from your laptop or smartphone without the need to install proprietary software

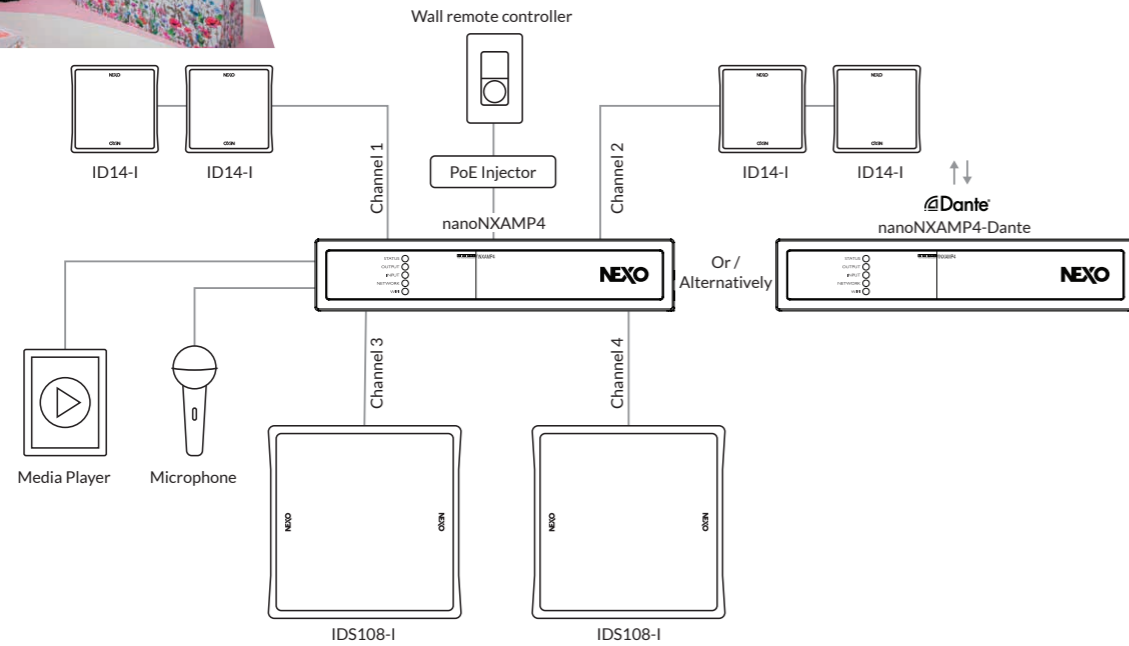
On-board mixer and matrix functions further reduce the overall cost of smaller installations, with set up and remote control enabled by an embedded web page that can be accessed via Ethernet or Wi-Fi.

Intuitive control is provided over a wide range of parameters including Inputs, Areas, Output Routing, NEXO Speaker Processing Presets, Delays and System Information.

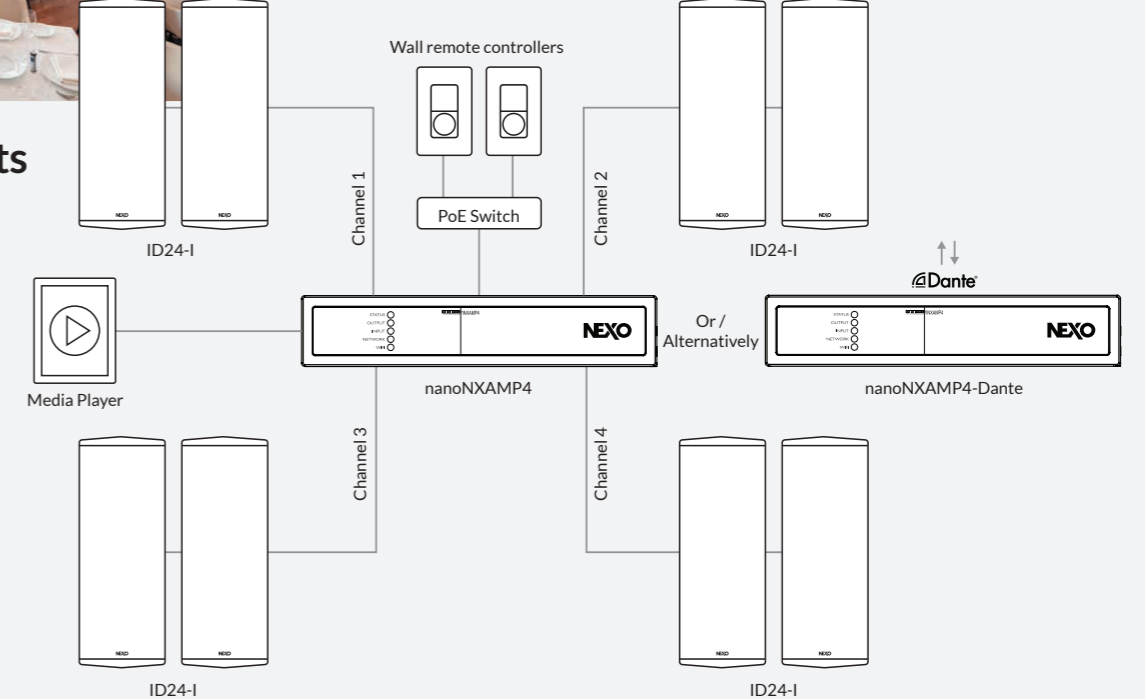


Typical Systems

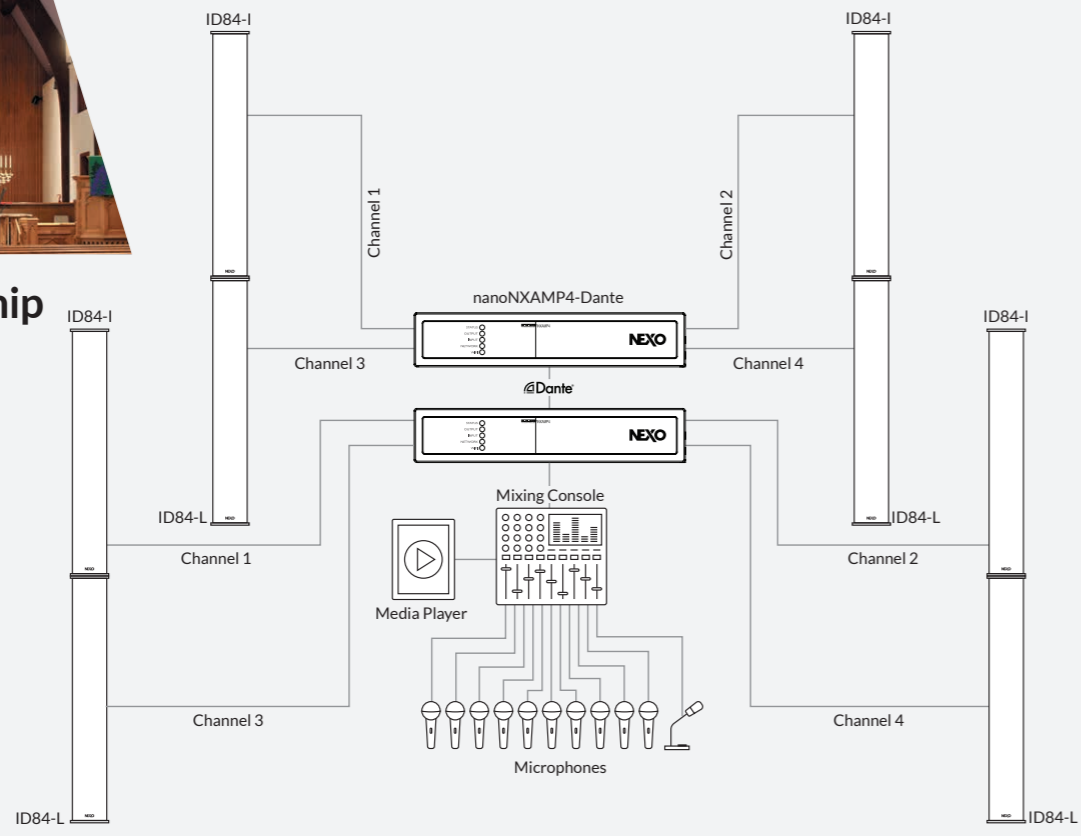
Retail



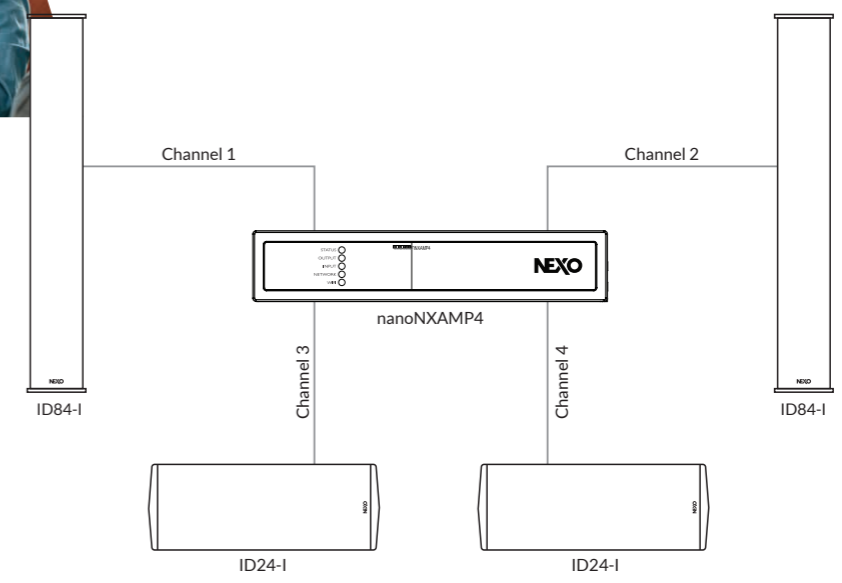
Restaurants



Houses of Worship



Education



NXAMP_{MK2}

Power and processing for larger ID Series systems



A choice of compact, cost-effective 4-channel amplification and processing solutions feature phase-coherent presets for all directivity versions of all ID Series speakers.



Available in 4 X 1300 Watts, 4 X 2500 Watts and 4 X 4500 Watts versions, the NXAMP_{MK2} combines advanced signal processing with four state-of-the-art Class D amplifiers to create a flexible, light-weight powering and control solution for NEXO loudspeaker systems. Ideal for use in fixed installations and touring, these powered controllers are easy to set up and quick to deploy, with all essential parameters readily accessible via a large colour touch-screen on the front panel and a comprehensive range of control and networking facilities on the rear panel. Most importantly, the new NXAMP_{MK2} achieves a whole new level of sound quality, partnering with NEXO speakers to deliver a whole new level of audience experience.

- Class D
- PIFIC
- Dante™
- NeMo
- AES/EBU*
- 4.3" display
- Tactile screen
- Dual Ethernet Port
*Optional

DTD Digital TD Controllers

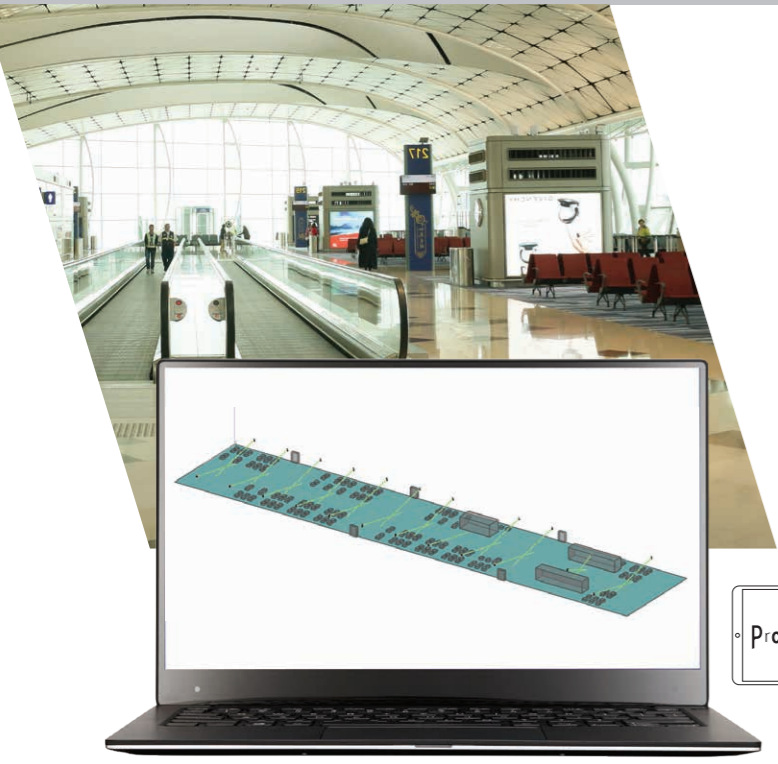
Now it's possible to choose amplification from other manufacturers or extend the life of existing amplification in a wide range of NEXO ID Series applications from small mobile systems to more sophisticated multi-cabinet installations. Available in Touring and Installation versions and with advanced speaker control processing taken from the NEXO NXAMP, the DTD Digital TD Controller also delivers dramatic improvements in sonic performance over previous analog TD Controllers.

DTD-T touring version



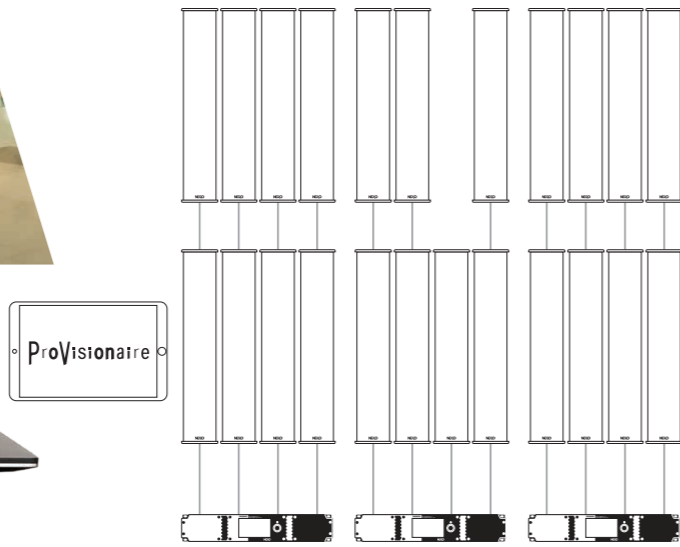
DTD-I install version





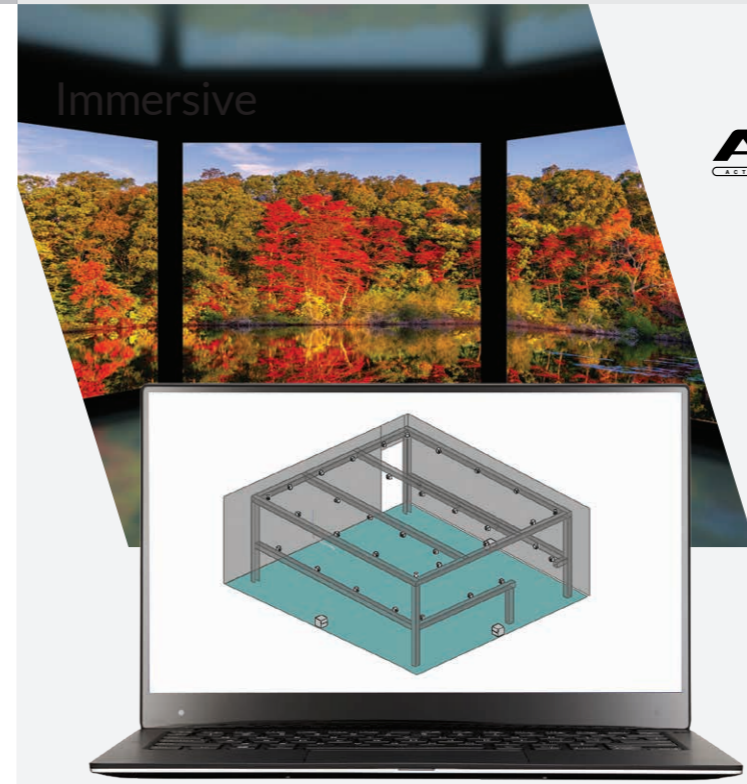
Typical Systems

Airport



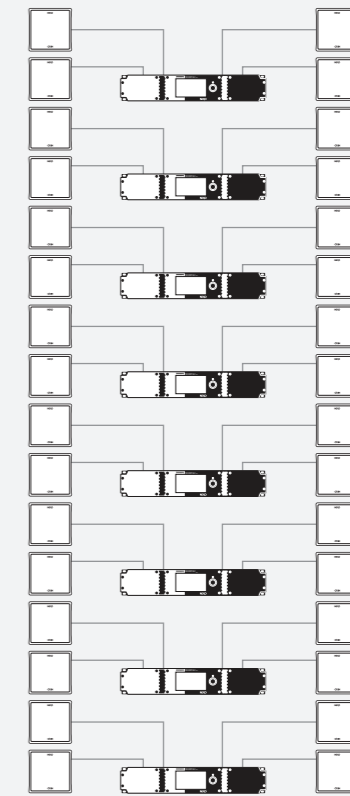
2 x ID84 per channel powered by NXAMP4X2MK2

NS-1



Immersive

AFC
ACTIVE FIELD CONTROL

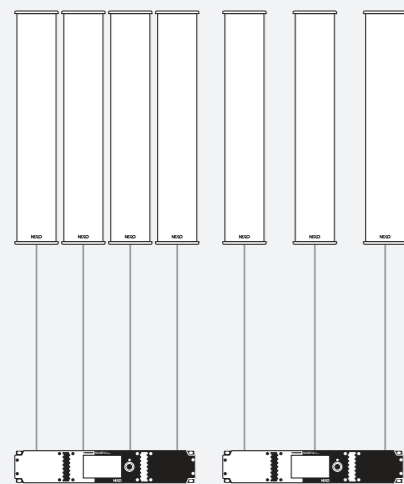


8 x 2 x ID14 per side powered by NXAMP4X1MK2

NS-1

Sports Stadium

ProVisionaire



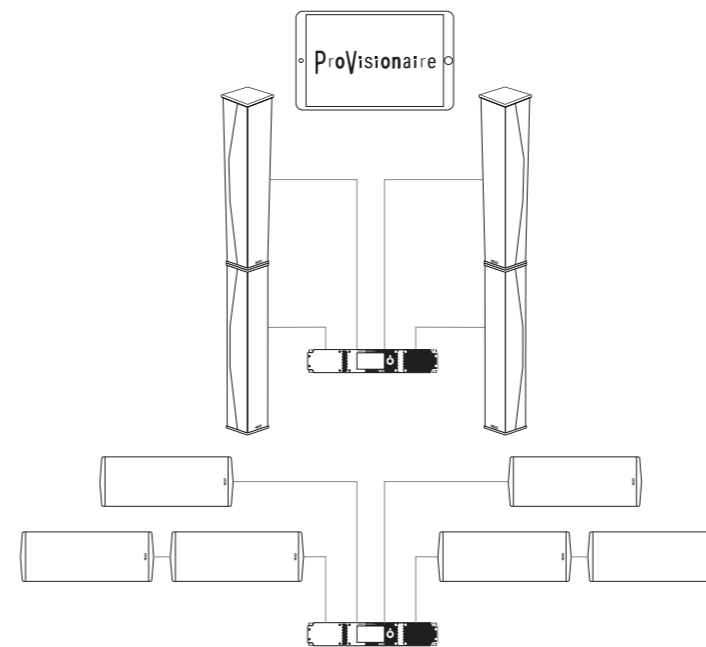
1 x ID84 per channel, powered by NXAMP4X1MK2



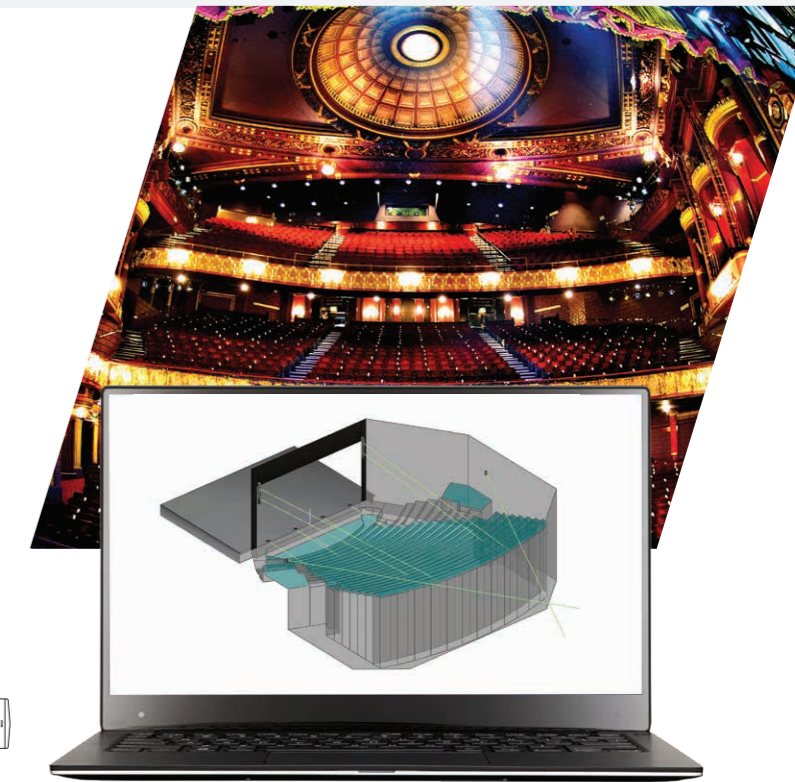
NS-1

Theatre

ProVisionaire



2 x ID84 FOH, 4 x ID24 front fills and 2 x ID24 side fills, powered by NXAMP4X1MK2



NS-1

System Design and Control

A comprehensive suite of software applications for designing, controlling and monitoring ID Series systems.

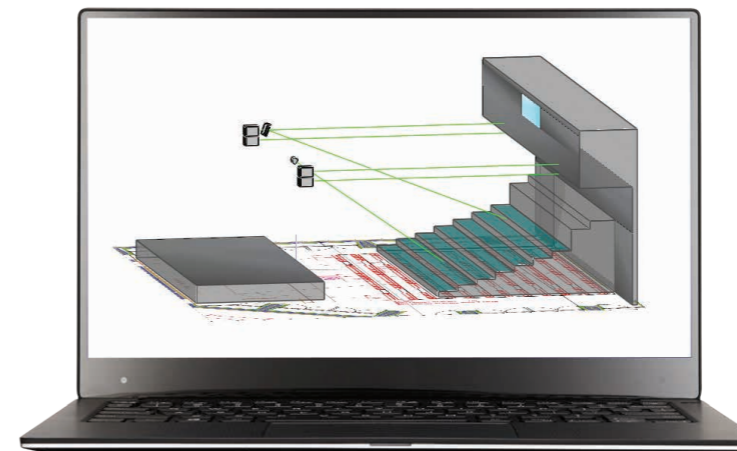


NeMo

System Management and Remote Control solution for networked NEXO Powered TD Controllers

NXAMP_{MK2}'s native dual Ethernet card facilitates remote control and daisy-chaining of amplifiers and seamless integration with NEXO's NeMo amplifier management software, with optional Dante, EtherSound and AES network cards also available. NXAMP_{MK2} can also be controlled directly from Yamaha digital mixing consoles and is included in Yamaha's ProVisionaire control and monitoring software for installed systems.

Available to download free of charge, NS-1 is a powerful and intuitive system configuration and simulation tool enabling NEXO users to configure and optimise the performance of any NEXO system by predicting its behaviour in any venue to ensure uniform SPL coverage.



NS-1



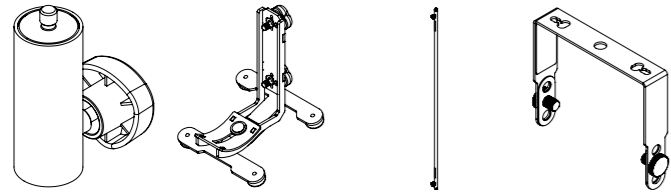
ProVisionaire

An intuitive drag and drop interface includes ID Series and other all NEXO systems and sub bass cabinets, with measured speaker data processed along with complex mathematical data to predict SPL and delay coverage in 3 dimensions. NS-1 combines full acoustical and mechanical computations along with tools for optimising curved vertical array design. A help section defines mechanical constraints to establish flown system safety, and generates reports for system dimensions, weight, gravity centre position, forces, moments, working load and safety factors.

Installers are also invited to use NEXO's free System Design service. Visit nexo-sa.com/design for more information.

ID Series Touring and Installation Accessories

ID14 Touring Accessories



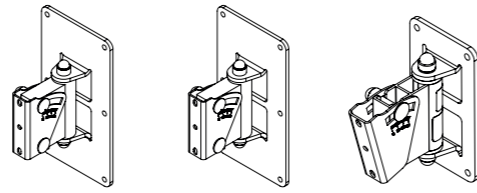
VNT-TVP
M10 to 35 mm adapter

IDT-GSTK14
Ground Stacking Accessory

IDT-POLE20X1400
Distance Rod

IDU-HBRK14
Bracket for ID14

ID14 Installation Accessories

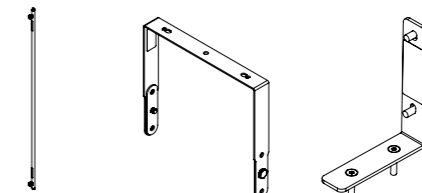


VNI-WM02
Versatile 25 kg max wall mount adapter 02 for indoor use

VNI-WM02-OU
Versatile 25 kg max wall mount adapter 02 for outdoor use

VNI-WM01
Versatile 15 kg max wall mount adapter 01 for indoor use

IDS108 Accessories

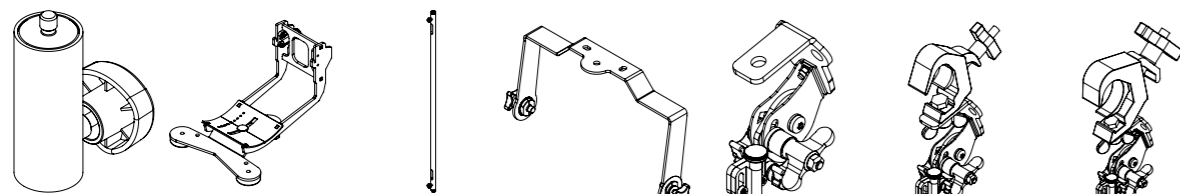


IDT-POLE20X1400
Distance Rod

IDU-HBRK108
Bracket for IDS108

IDI-14TO108
Adapter ID14 to IDS108

ID24 Touring Accessories



VNT-TVP
M10 to 35 mm adapter

IDT-GSTK
Ground Stacking Accessory

IDT-POLE32X1400
Distance Rod

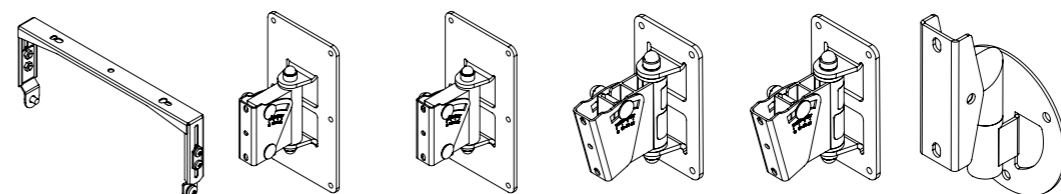
IDT-HBRK24
Bracket for ID24

IDT-QRA-V2
Truss Clamp Fitting for ID24

IDT-TCBRK2538-V2
Truss Clamp Adaptor. 25-38mm for ID24

IDT-TCBRK3851-V2
Truss Clamp Adaptor. 38-51mm for ID24

ID24 Installation Accessories



IDI-HBRK24
Bracket for ID24

VNI-WM02
Versatile 25 kg max wall mount adapter 02 for indoor use

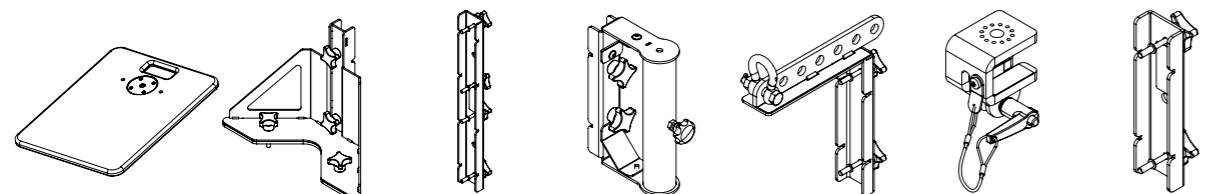
VNI-WM02-OU
Versatile 25 kg max wall mount adapter 02 for outdoor use

VNI-WM01
Versatile 15 kg max wall mount adapter 01 for indoor use

VNI-WM01-OU
Versatile 15 kg max wall mount adapter 01 for outdoor use

VNI-WB02
Versatile 15 kg max light wall mount adapter 02 for indoor use

ID84 Touring Accessories



VNT-BP600
Base plate for ID84 / ID84L / IDS312

IDT-BPADAPT
Bracket for ID84 / ID84L / IDS312 base plate

IDU-COUPPL
Coupling bracket for ID84 and ID84L

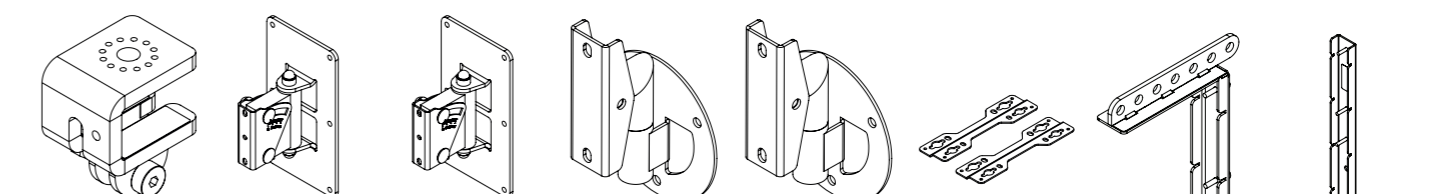
IDT-PLADAPT
Pole-mount

IDU-BUMP
Lifting bracket for ID84 and ID84L

VNT-LIFTADAPT
Bumper to Truss Clamp Adaptor

IDU-TCBRK84
Truss clamp adapter for ID84 and ID84L

ID84 Installation Accessories



VNI-WMADAPT
Bumper to Wall Mount Adaptor

VNI-WM02
Versatile 25 kg max wall mount adapter 02 for indoor use

VNI-WM02-OU
Versatile 25 kg max wall mount adapter 02 for outdoor use

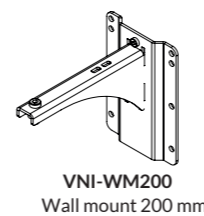
VNI-WB02
Versatile 15 kg max light wall mount adapter 02 for indoor use

VNI-WB02-OU
Versatile 15 kg max light wall mount adapter 02 for outdoor use

IDI-SWM01
Wall Mount Bracket for IDS110 / IDS210

IDU-BUMP
Lifting bracket for ID84 and ID84L

IDU-COUPPL
Coupling bracket for ID84 and ID84L

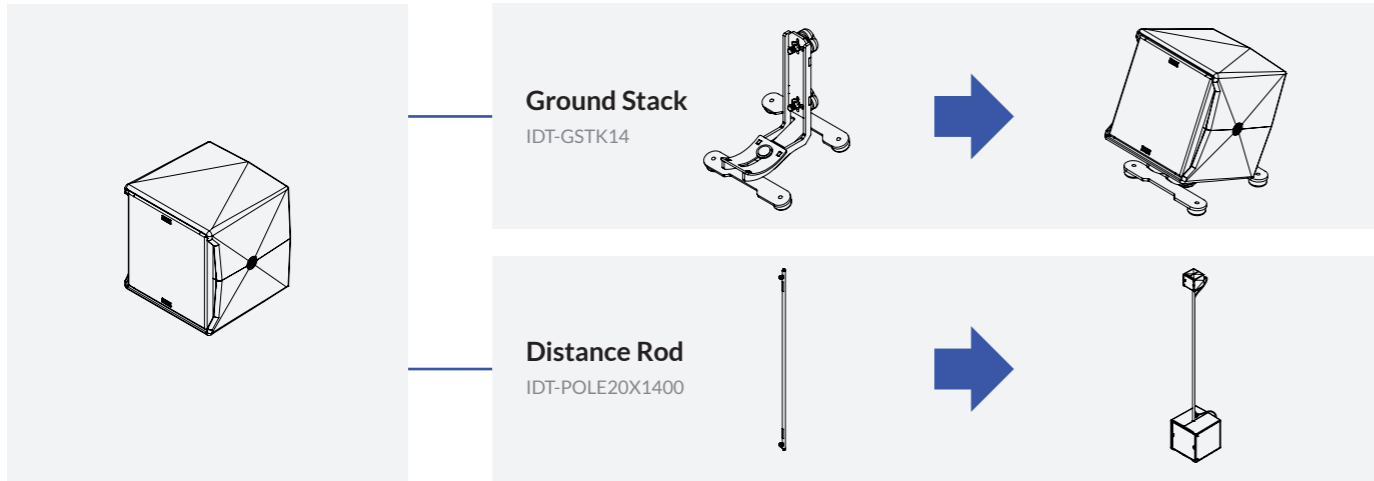


VNI-WM200
Wall mount 200 mm

Floor Mounting Applications

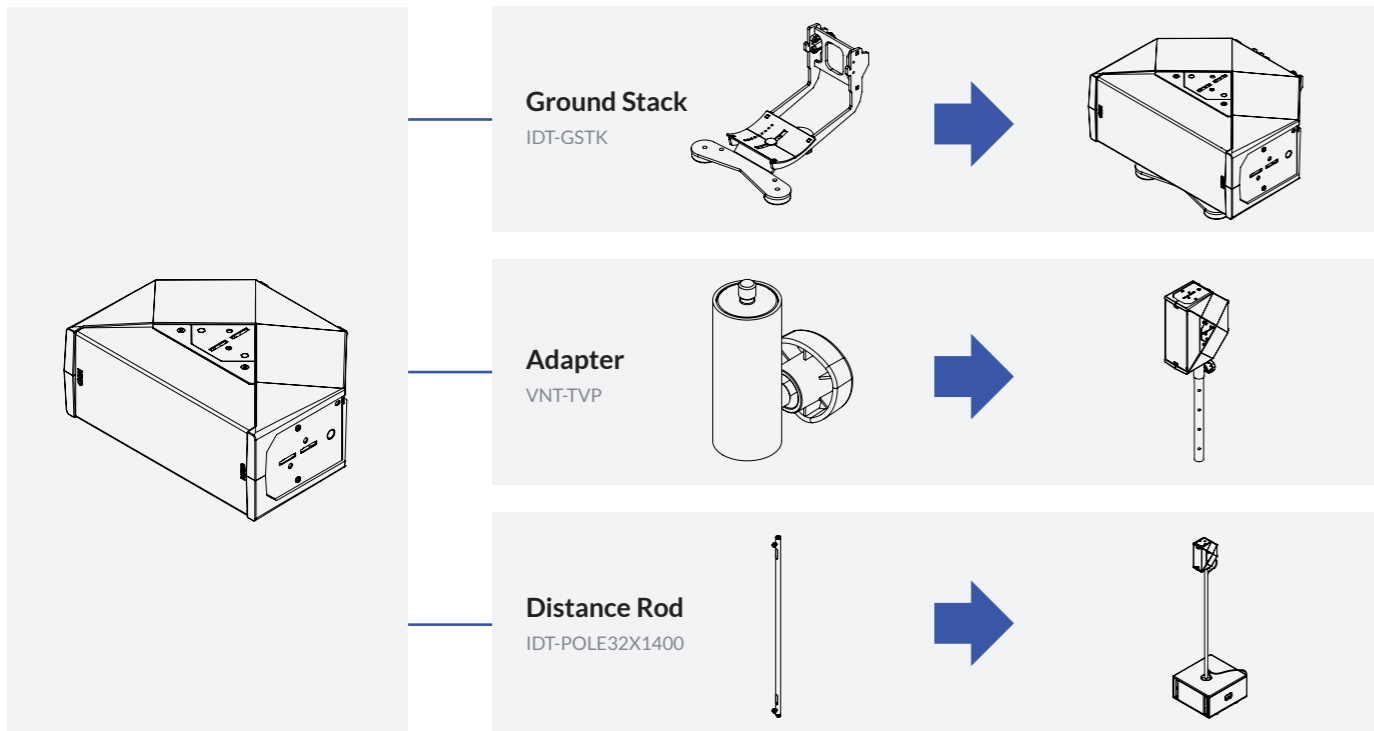
ID14

Can be used with:



ID24

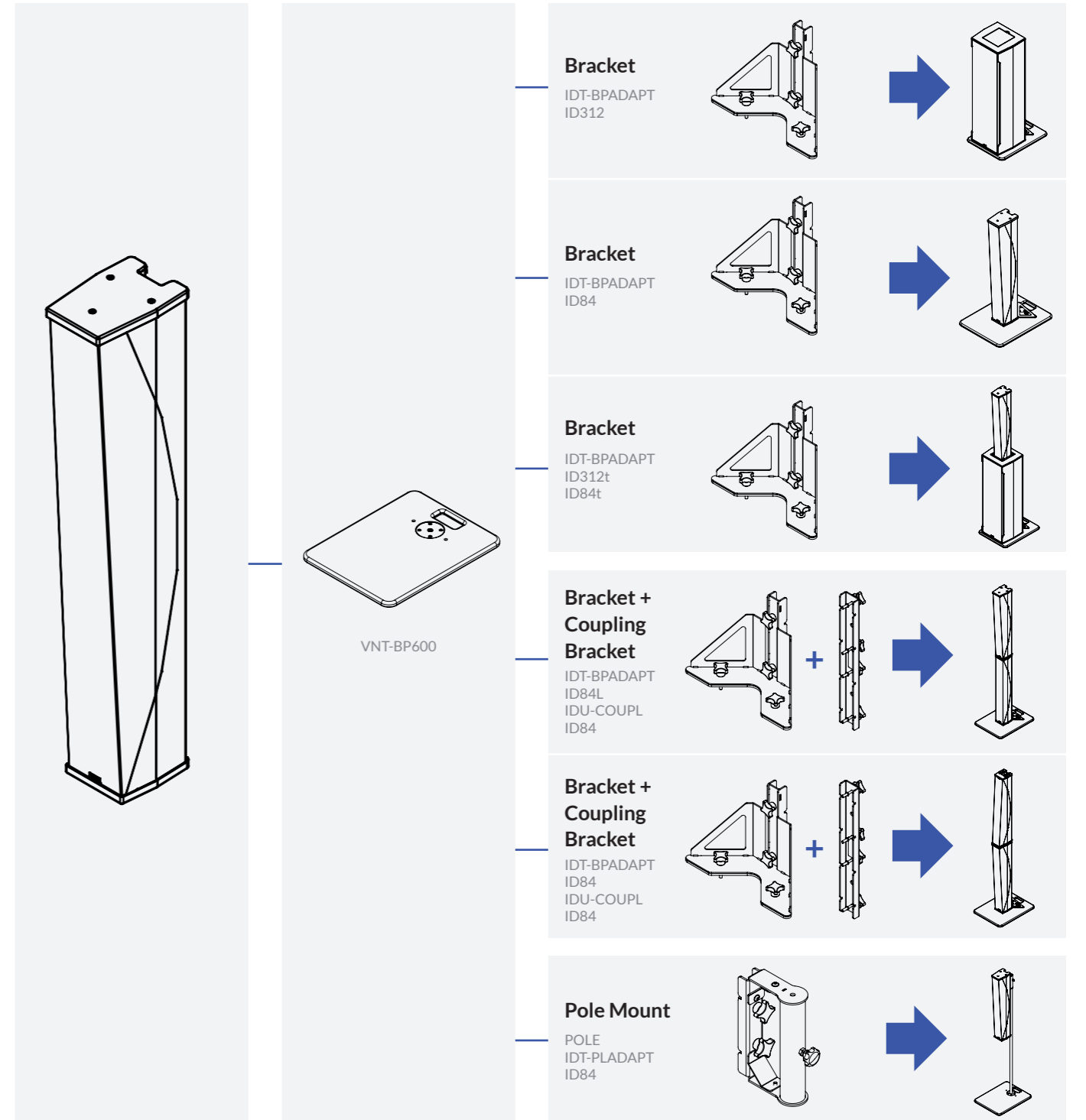
Can be used with:



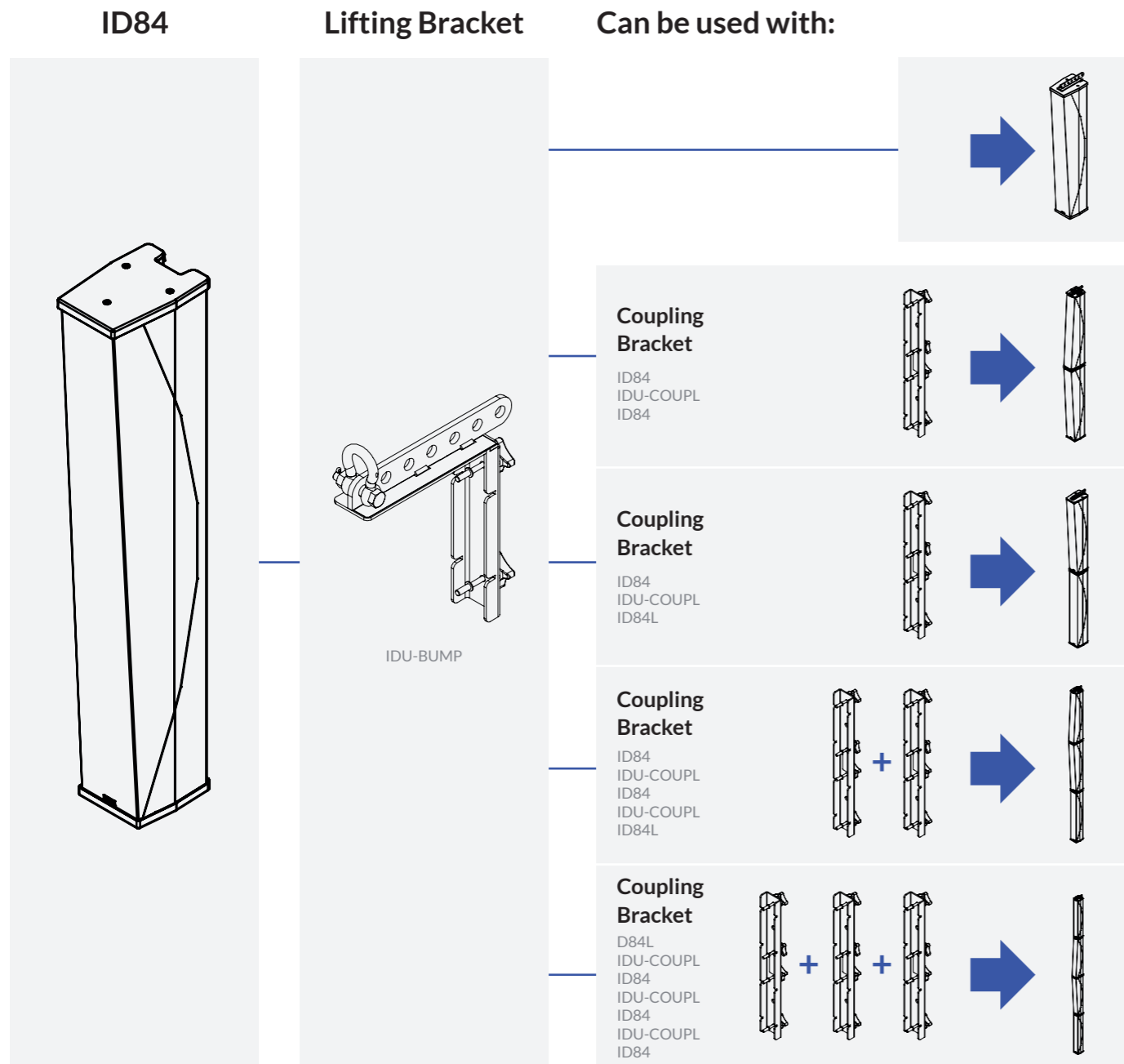
ID84

Base Plate

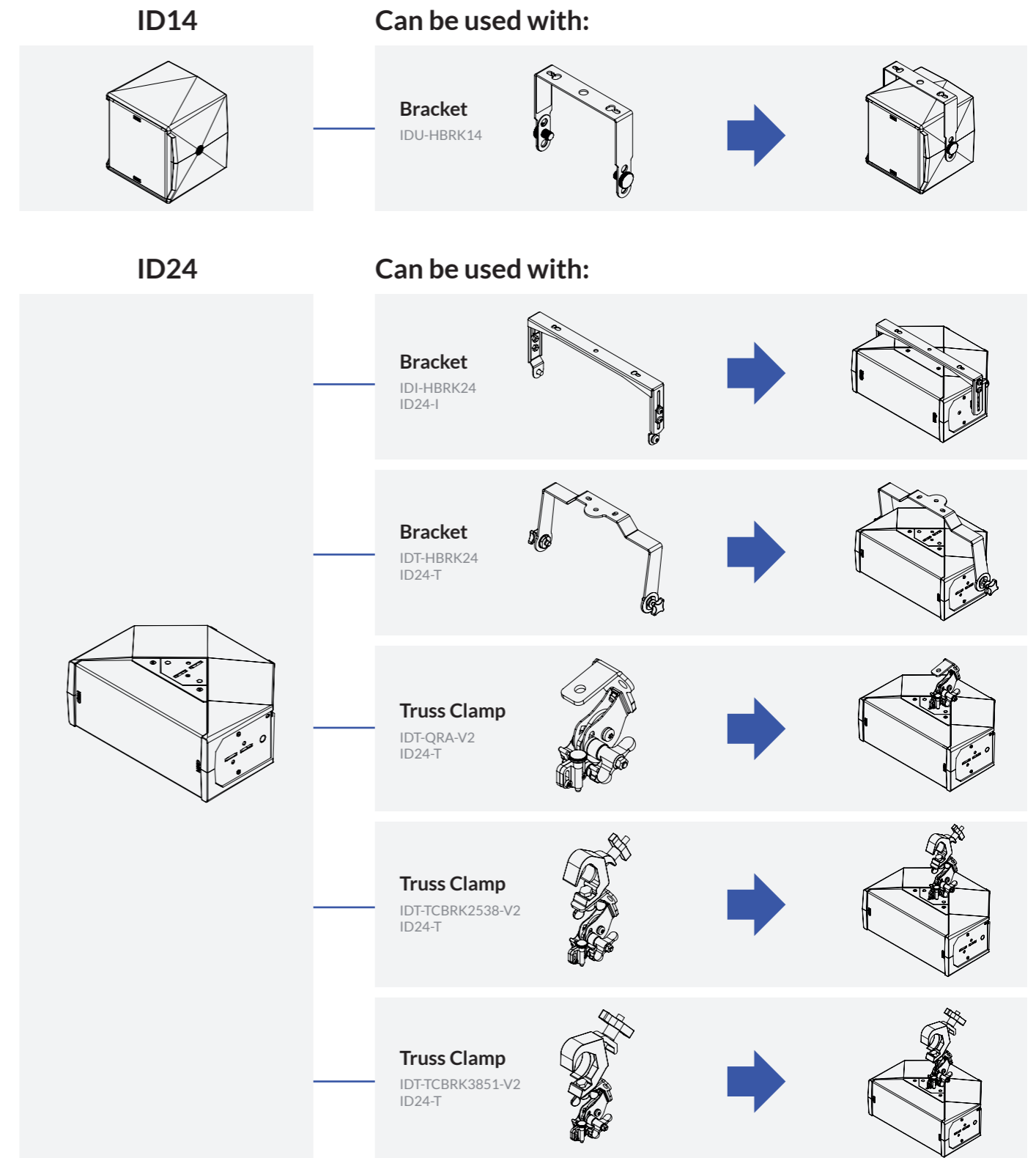
Can be used with:



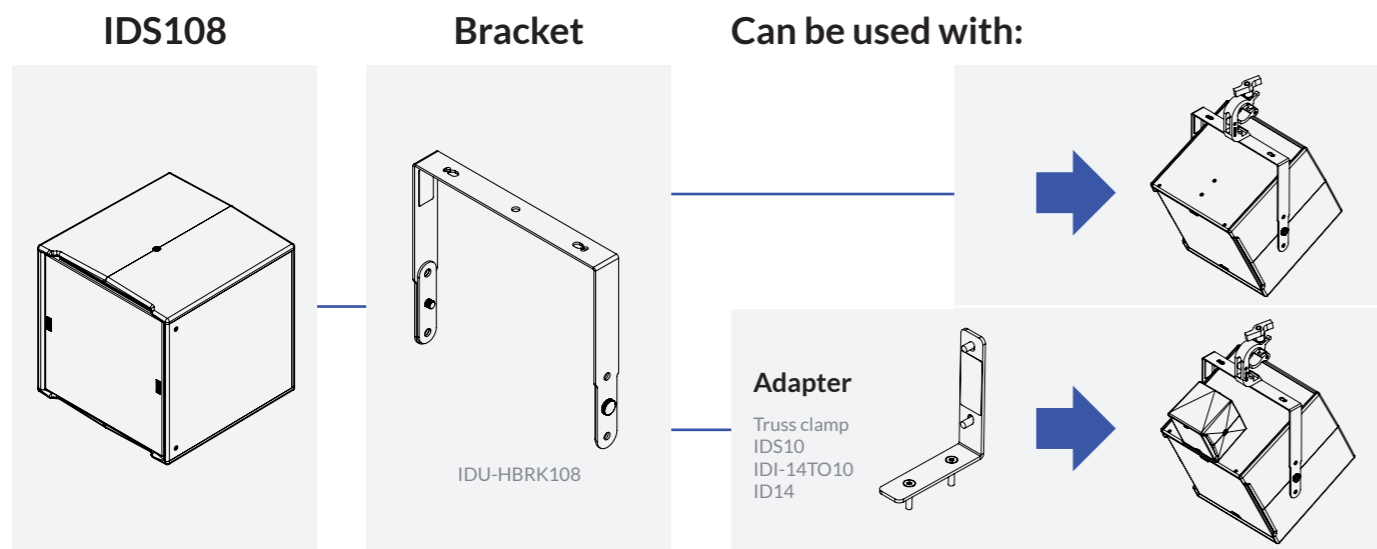
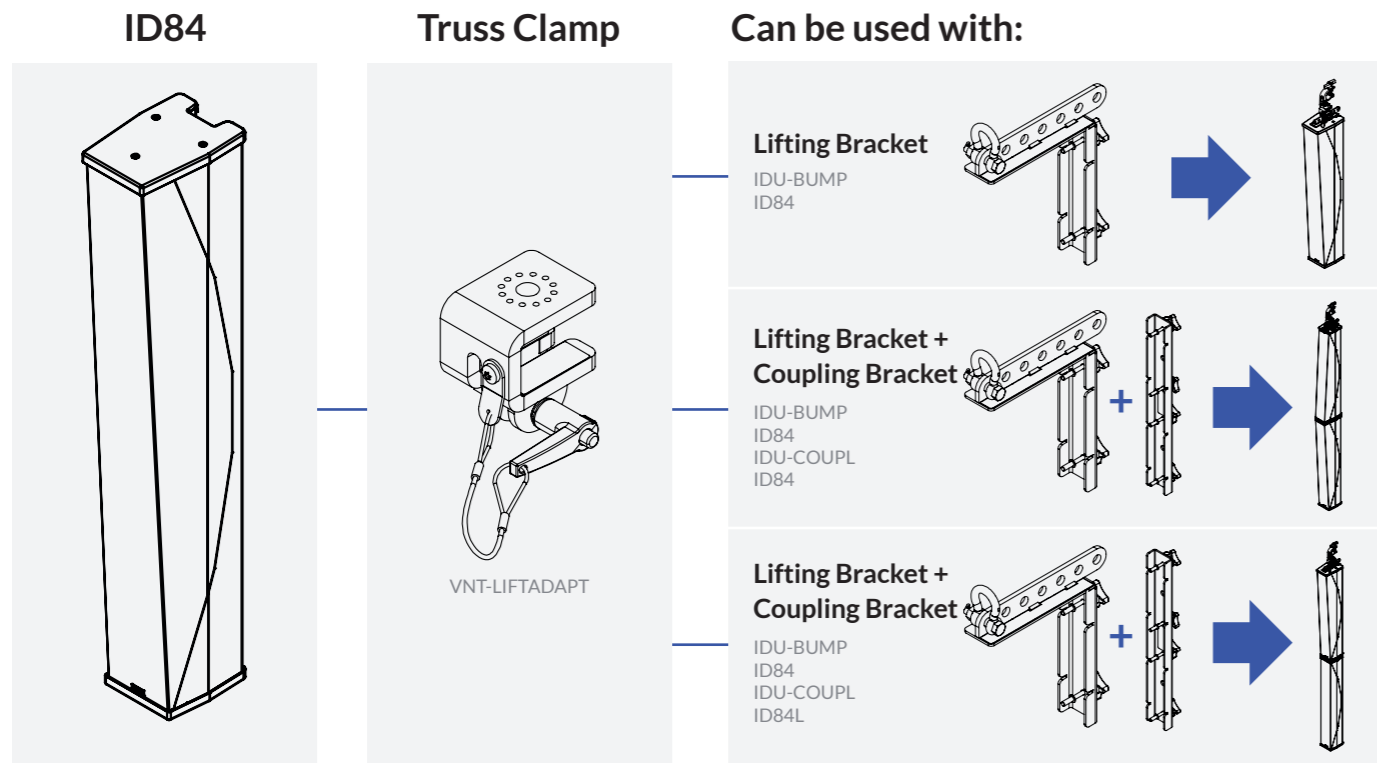
Hoist Mounting Applications



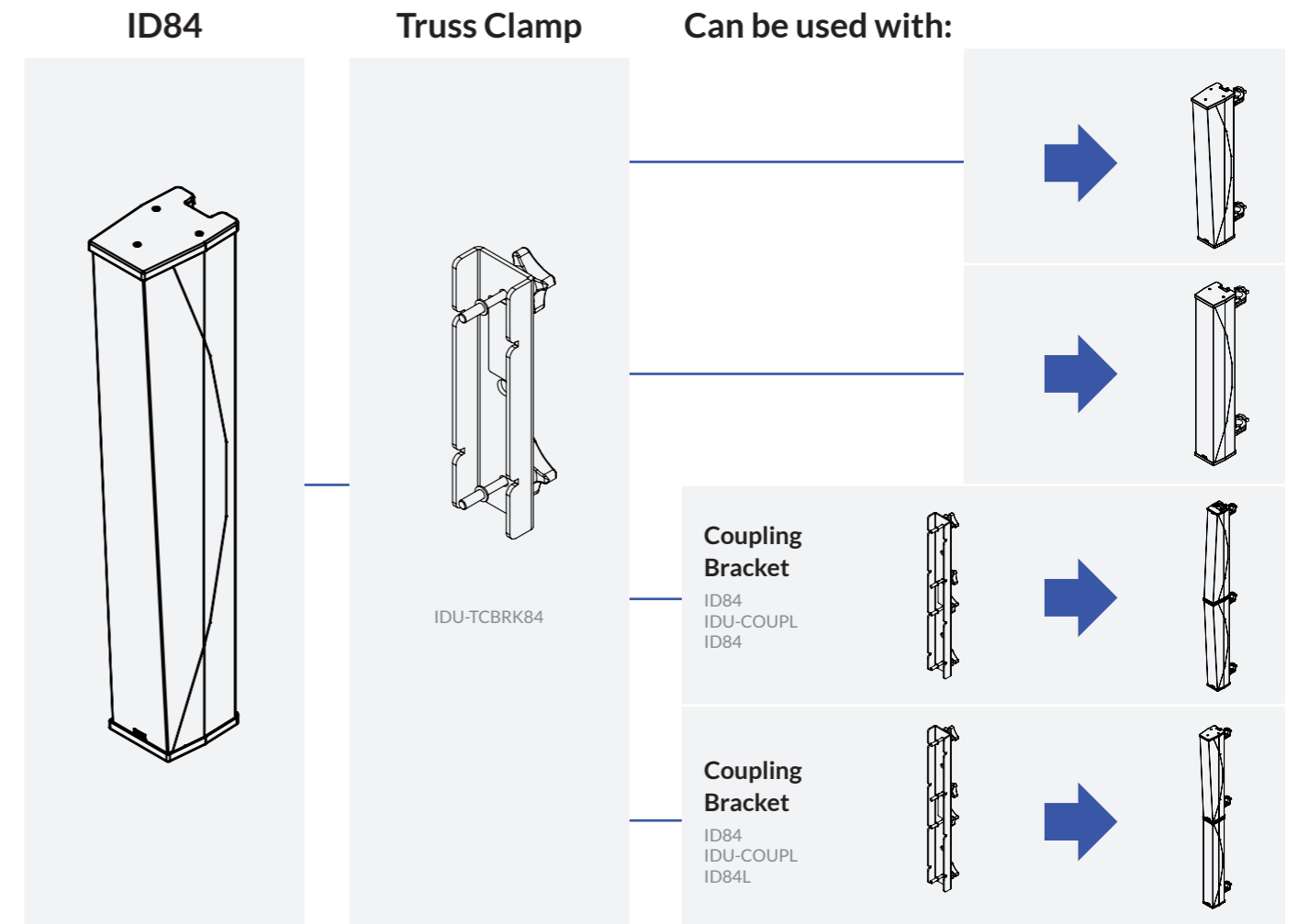
Horizontal Truss Applications



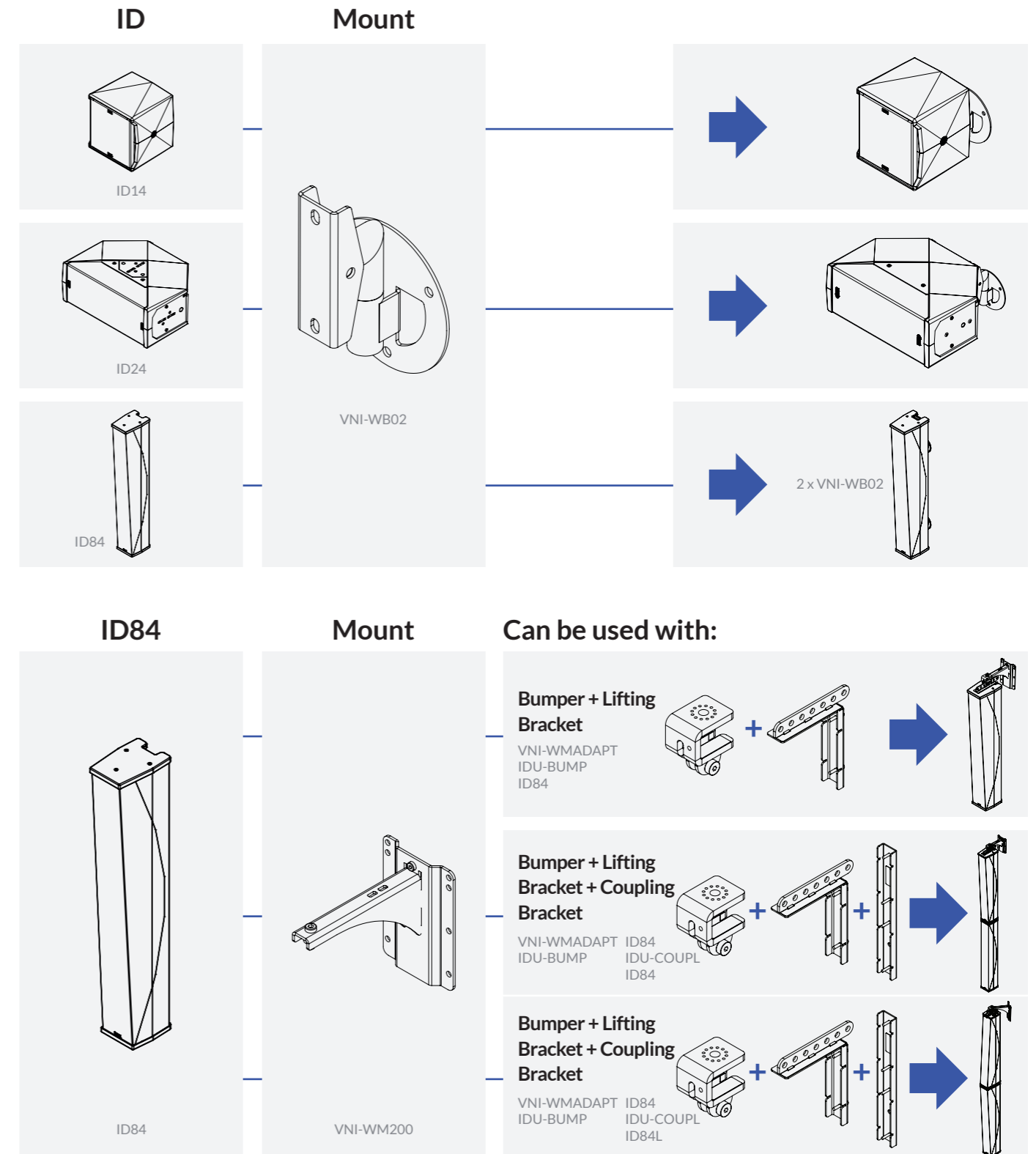
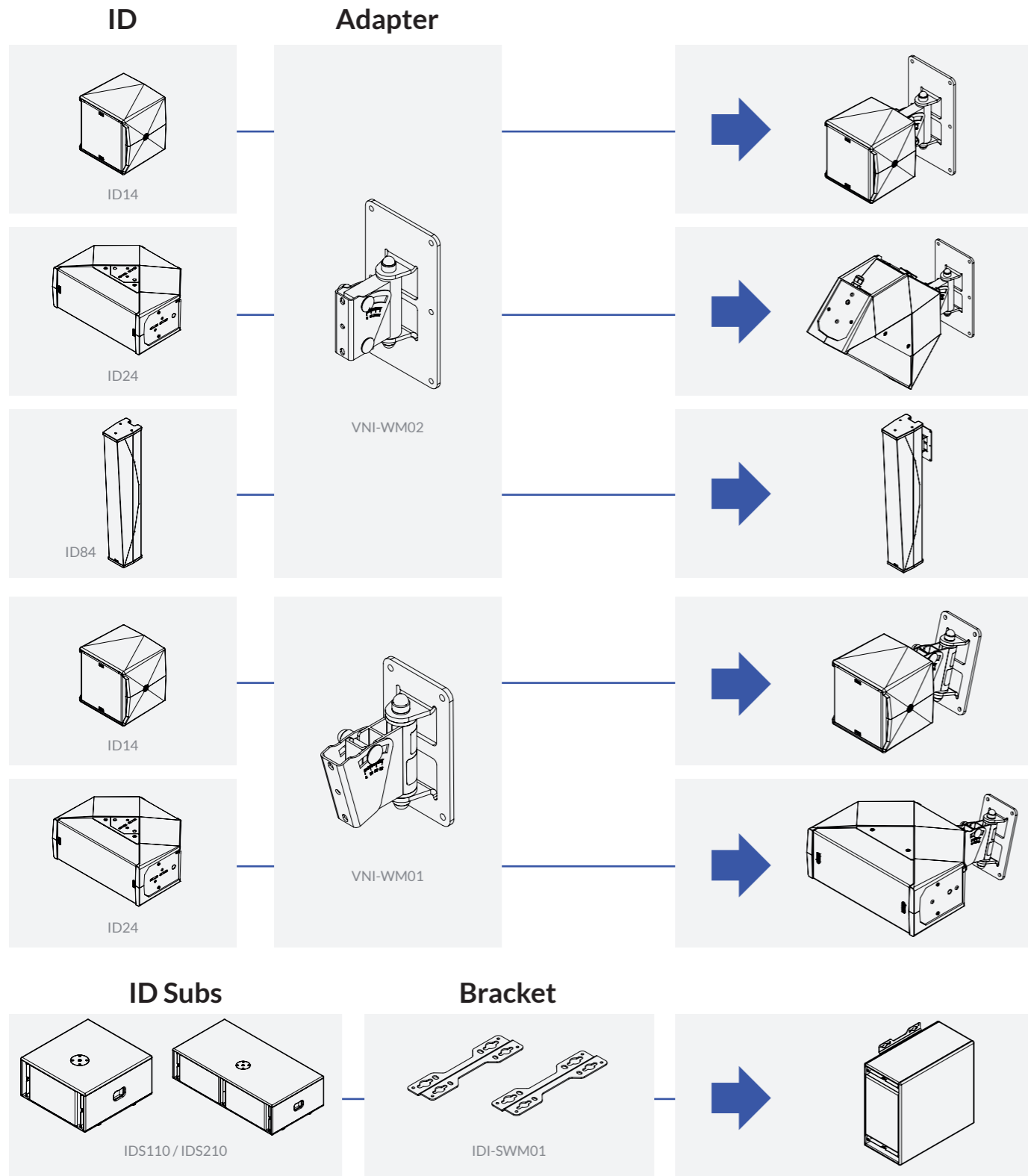
Horizontal Truss Applications



Vertical Truss Applications



Wall Mounting Applications



Specifications

	ID14 with NEXO Processing			
	ID14-I	ID14-T	IDS108-I	IDS108-T
Frequency Response @-6 dB	120 Hz to 20 kHz		50 Hz to 150 kHz	
Sensitivity	95 dB		95 dB	
Peak SPL@1m	116 dB		122 dB	
Available Crossover Frequencies	120 Hz, 150 Hz		50-120 Hz, 50-150 Hz	
HF Dispersion	100° x 100° or 90° x 140°			
Nominal Impedance	16Ω		8Ω	
Recommended Power	110 to 180 Watts / 16 Ohms (requires a 220 to 360 Watts / 8 Ohms amplifier)		350 Watts to 550 Watts / 8 Ohms	
Product Features				
Number of ways	2 ways passive			
Components	1 x Coaxial Neodymium LF 4" long excursion & HF 1.4 diaphragm		1 x 8" 8 Ohms Long excursion Neodymium driver	
Narrow/Wide mode selection				
Connectors	1 x Cable gland with 2 cores cable	2 x NL4, 4 poles connectors (1+/1- Through /2+/2- ID14)	1 x Cable gland with 2 cores cables	2 x NL4, 4 poles connectors (1+/1- IDS108 /2+/2- Through)
Rigging points	1 x M10 on each side for dedicated U bracket + 2 x M6 / 73 mm pitch at the back		2x M10 Threaded inserts + 2 x M6 threaded inserts	
Construction	Water-resistant Polyurethane		Finnish birch plywood	
Finish	Black: Raw sandblasted polyurethane / White: Structural paint		Black or White structural paint	
Front Finish	UV & Fire Resistant acoustic fabric fitted Magnelis® front grill	Magnelis® front grill with back mesh	UV & Fire Resistant acoustic fabric fitted Magnelis® front grill	Magnelis® front grill with back mesh
Operating temperature range	0°C - 40°C (32° F - 104° F)		0°C - 40°C (32° F - 104° F)	
Storage temperature range	-20°C - 60°C (-4° F - 140° F)		-20°C - 60°C (-4° F - 140° F)	
Height x Width x Depth	130 mm x 130 mm x 120 mm (5.1" x 5.1" x 4.7")		305 x 307 x 305 mm (12.0" x 12.1" x 12.0")	
Weight: Net	1.7 kg (3.7 lbs)		8 kg (17.6 lbs)	
IP Rating	IP55	IP2X	IP54	IP2X
System Operation				
Recommended powering solution	nanoNXAMP4/4D : up to 2 x ID14 per channel		nanoNXAMP4/4D : up to 1 x IDS108 per channel	
Electronic Controllers	NXAMP4x1mk2 Powered TDcontroller: up to 8 x ID14 per channel NXAMP4x2mk2 Powered TDcontroller: up to 8 x ID14 per channel NXAMP4x4mk2 Powered TDcontroller: up to 8 x ID14 per channel		NXAMP4x1mk2 Powered TDcontroller: up to 3 x IDS108 per channel NXAMP4x2mk2 Powered TDcontroller: up to 4 x IDS108 per channel NXAMP4x4mk2 Powered TDcontroller: up to 4 x IDS108 per channel	

ID24 with NEXO TDController Setup						
ID24-I	ID24-T	ID24-C	IDS110-E	IDS110-T	IDS210-E	IDS210-T
95Hz - 20kHz (+/- 6dB)			43 Hz to 130 Hz (+/- 3dB)		43 Hz to 130 Hz (+/- 3dB)	
100 dB SPL Nominal			97 dB SPL Nominal		103 dB SPL Nominal	
126 dB			125 dB		131 dB	
95 Hz, 120 Hz, 150 Hz			85 Hz / 120 Hz		85Hz / 120 Hz	
60° x 60° 90° x 40° 120° x 40° 120° x 60°						
16Ω			4Ω		2Ω	
200 Watts to 500 Watts			400 Watts to 650 Watts		800 Watts to 1300 Watts	
Product Features						
2 ways passive						
LF: 2 x 4" - Long excursion - Neodymium magnet HF: 1" voice coil ½" throat - Neodymium magnet			1 x 10" Long excursion		2 x 10" Long excursion	
1 x Cable gland with 2 cores cables	2 x NL4, 4 poles connectors (1+/1- Through /2+/2- ID24)	A la carte	1x Cable gland with 2 cores cable	2x NL4, 4 poles connectors	1x Cable gland with 2 cores cable	2x NL4, 4 poles connectors
6x 6mm threaded inserts	6x points for quick rigging M10 threaded insert	A la carte, among 6x inserts 6mm 6x points for quick rigging M10 threaded insert	4 x M6 inserts M20 flange (T version only)		4 x M6 inserts M20 flange (T version only)	
Water-resistant Polyurethane			Finnish birch plywood		Finnish birch plywood	
White: Structural paint Black: Raw sandblasted polyurethane		A la carte	Black structured paint		Black structured paint	
Stainless steel Acoustic fabric, black or white	Stainless steel Black paint	A la carte				
0°C - 40°C (32° F - 104° F)			0°C - 40°C (32° F - 104° F)		0°C - 40°C (32° F - 104° F)	
-20°C - 60°C (-4° F - 140° F)			-20°C - 60°C (-4° F - 140° F)		-20°C - 60°C (-4° F - 140° F)	
132 x 309 x 233mm (5.2" x 12.2" x 9.2")			285 x 525 x 550 mm (11.2" x 20.7" x 21.7")		285 x 1050 x 550 mm (11.2" x 41.3" x 21.7")	
6 Kg (13 lbs)			21kg (47 lbs)		37 kg (82 lbs)	
IP54	IP2X		IP2X		IP2X	
System Operation						
NXAMP4x1mk2 Powered TDcontroller: up to 4 x ID24 per channel			NXAMP4x1mk2 Powered TDcontroller: up to 2 x IDS110 per channel		NXAMP4x1mk2 Powered TDcontroller: 1 x IDS210 per channel	
NXAMP4x2mk2 Powered TDcontroller: up to 8 x ID24 per channel NXAMP4x4 Powered TDcontroller: up to 8 x ID24 per channel nanoNXAMP4/4D : up to 2 x ID24 per channel			NXAMP4x2mk2 Powered TDcontroller : up to 2 x IDS110 per channel NXAMP4x4 Powered TDcontroller : up to 2 x IDS110 per channel nanoNXAMP4/4D : 1 x IDS110 per bridged channel		NXAMP4x2mk2 Powered TDcontroller : up to 1 x IDS210 per channel NXAMP4x4 Powered TDcontroller : up to 1 x IDS210 per channel	

ID84 with NEXO Processing								
ID84-I	ID84-T	ID84-TIS	ID84L-I	ID84L-T	ID84L-TIS	IDS312-I	IDS312-T	IDS312-TIS
90 Hz to 20 kHz			90 Hz to 1.5 kHz			40 Hz to 120 Hz		
105 dB SPL Nominal			102 dB SPL Nominal			105 dB SPL Nominal		
135 dB			132 dB			138 dB		
90 Hz, 120 Hz			90 Hz, 120 Hz			40-85 Hz, 40-120 Hz, 40-150 Hz, 63-120 Hz, 63-150 Hz		
Vertical: +0°/-10° (Narrow Mode) or +0°/-25° (Wide mode) Horizontal: 100°			Vertical: Depends on ID84 Main module configuration and assembly Horizontal: 100°					
4Ω			4Ω			2Ω		
650 to 1080 Watts / 4 Ohms			650 to 1080 Watts / 4 Ohms			1300 to 2100 Watts / 2 Ohms		
Product Features								
2 way passive			1 way					
LF: 8 x 4" 8 Ohms long excursion Neodymium driver HF: 8 x 1" 8 Ohms HF driver on a patent-pending arrangement			LF: 8 x 4" 8 Ohms long excursion Neodymium driver			3 x Neodymium 12" 6 Ohms long excursion		
Ruggedized, recessed, waterproof 2 position switch								
Cable gland with 2x core cable	2x NL4 connectors (2+/2-) + 1x integrated connector in the base		Cable gland with 2x core cable	2x NL4 connectors (1+/1-)		Cable gland with 2x core cable	2x NL4 connectors (1+/1- & 2+/2-) + Quick connect system for ID84	
2 x pairs of M6 - 70 mm pitch rigging points + 2x extra M6			2 x pairs of M6 - 70 mm pitch rigging points + 2x extra M6			1 x pair of M6 rigging points to link the IDS312 to a base plate		
Aluminum body and Magnelis® covers & grill			Aluminum body and Magnelis® covers & grill			15mm baltic birch plywood		
Black powder coating (RAL9005), White powder coating (RAL9016) or Custom RAL			Black powder coating (RAL9005), White powder coating (RAL9016) or Custom RAL			Black structural paint (RAL9005), White structural paint (RAL9016) or Custom RAL		
UV & Fire resistant acoustic fabric	Magnelis® Front grill	UV & Fire resistant acoustic fabric	UV & Fire resistant acoustic fabric	Magnelis® Front grill	UV & Fire resistant acoustic fabric	UV & Fire resistant acoustic fabric	Magnelis® Front grill	UV & Fire resistant acoustic fabric
0°C - 40°C (32° F - 104° F)			0°C - 40°C (32° F - 104° F)			0°C - 40°C (32° F - 104° F)		
-20°C - 60°C (-4° F - 140° F)			-20°C - 60°C (-4° F - 140° F)			-20°C - 60°C (-4° F - 140° F)		
990mm x 150mm x 215 mm (39.0" x 5.9" x 8.5")			990mm x 150mm x 163 mm (39.0" x 5.9" x 6.4")			1160mm x 380mm x 350mm (45.7" x 15.0" x 13.8")		
15 kg (33 lbs)			14 kg (31 lbs)			31 kg (68 lbs)		
IP54	IP2x		IP54	IP2x		IP2X		
System Operation								
NXAMP4x1mk2 Powered TDcontroller: Up to 2 x ID84 per channel			NXAMP4x1mk2 Powered TDcontroller: Up to 2 x ID84L per channel			NXAMP4x1mk2 Powered TDcontroller: 1 x IDS312 per channel		
nanoNXAMP4/4D : 1 x ID84 per channel NXAMP4x2mk2 Powered TDcontroller: Up to 2 x ID84 per channel NXAMP4x4mk2 Powered TDcontroller: Up to 2 x ID84 per channel			nanoNXAMP4/4D : 1 x ID84L per channel NXAMP4x2mk2 Powered TDcontroller: Up to 2 x ID84L per channel NXAMP4x4mk2 Powered TDcontroller: Up to 2 x ID84L per channel			NXAMP4x2mk2 Powered TDcontroller: 1 x IDS312 per channel NXAMP4x4mk2 Powered TDcontroller: 1 x IDS312 per channel		

As part of a policy of continual improvement, NEXO reserves the right to change specifications without notice.



NEXO
Parc d'Activité
du Pré de la Dame Jeanne
B.P.5
60128 Plailly
FRANCE
Tel: +33 (0)3 44 99 00 70
Fax: +33 (0)3 44 99 00 30
E-mail: info@nexo.fr

Deployment of NEXO systems should always comply with current control of noise, hearing protection and manual handling legislation, and NEXO products should always be operated in accordance with their accompanying Operating Instructions.

NEXO NS-1 System Configuration software can be used to predict sound pressure levels and coverage of NEXO systems in a specified venue or setting, also certifying that mechanical constraints are satisfied.

NEXO is a founding member of the HELA initiative (Healthy Ears, Limited Annoyance) that aims to transform the live music and events industry by advancing safe, healthy, and sustainable sound practices through education, research, and collaboration.



Scan for more information

©2023 NEXO S.A. All Rights Reserved.
All NEXO trademarks and service marks are the property of NEXO S.A.,
its subsidiaries and affiliated companies