



One voice. No limits.



Live Events



Corporate & Public Spaces



Theatres



Clubs



Bars & Restaurants



Houses of Worship



Sports Arenas

nexo-sa.com

Thinking. Inside the box.

NEXO

A
Yamaha
Group
Company

Geo M10



Geo M

One voice. No limits.

Small, medium and large systems share the same sonic signature and flexible, cost-efficient power and processing solution.

Powerful and flexible, the NEXO GEO M Series incorporates three systems that share the same sonic characteristics, utilising unique and patented NEXO technologies to achieve extraordinary levels of performance from compact, lightweight cabinets.

Integral rigging and a comprehensive range of accessories make it easy to deploy GEO M systems in a wide variety of fixed and mobile applications, and versatility is further enhanced by variable horizontal and vertical coverage options and a range of partner sub bass modules.

All GEO M10 and M12 main modules and subs are available in touring and installation versions, with appropriate rigging and connectivity



Live Events



Corporate & Public Spaces



Theatres



Clubs



Bars & Restaurants



Houses of Worship



Sports Arenas

Geo M6



options. Installation versions can be specified in any RAL colour, assuring a low visual impact in any venue. Also available in any RAL colour, the GEO M6 main modules and the MSUB12 sub bass cabinet are optimised for both mobile and fixed installations.

With a variety of networking options, NEXO NXAMP_{mk2} powered TD controllers provide a flexible and cost effective power and processing solution. A single 4 channel amplifier can power up to 16 boxes and presets are instantly available for all NEXO cabinets, making it easy to mix and match GEO M systems in a single application, for instance GEO M12 for the main PA and GEO M10 for the delays.



NEXO NS-1 software can be used to configure and simulate systems in any venue or environment, and NeMo software used to manage, monitor and remotely control the system in use.

Geo M12



Book a demo
nexo-sa.com



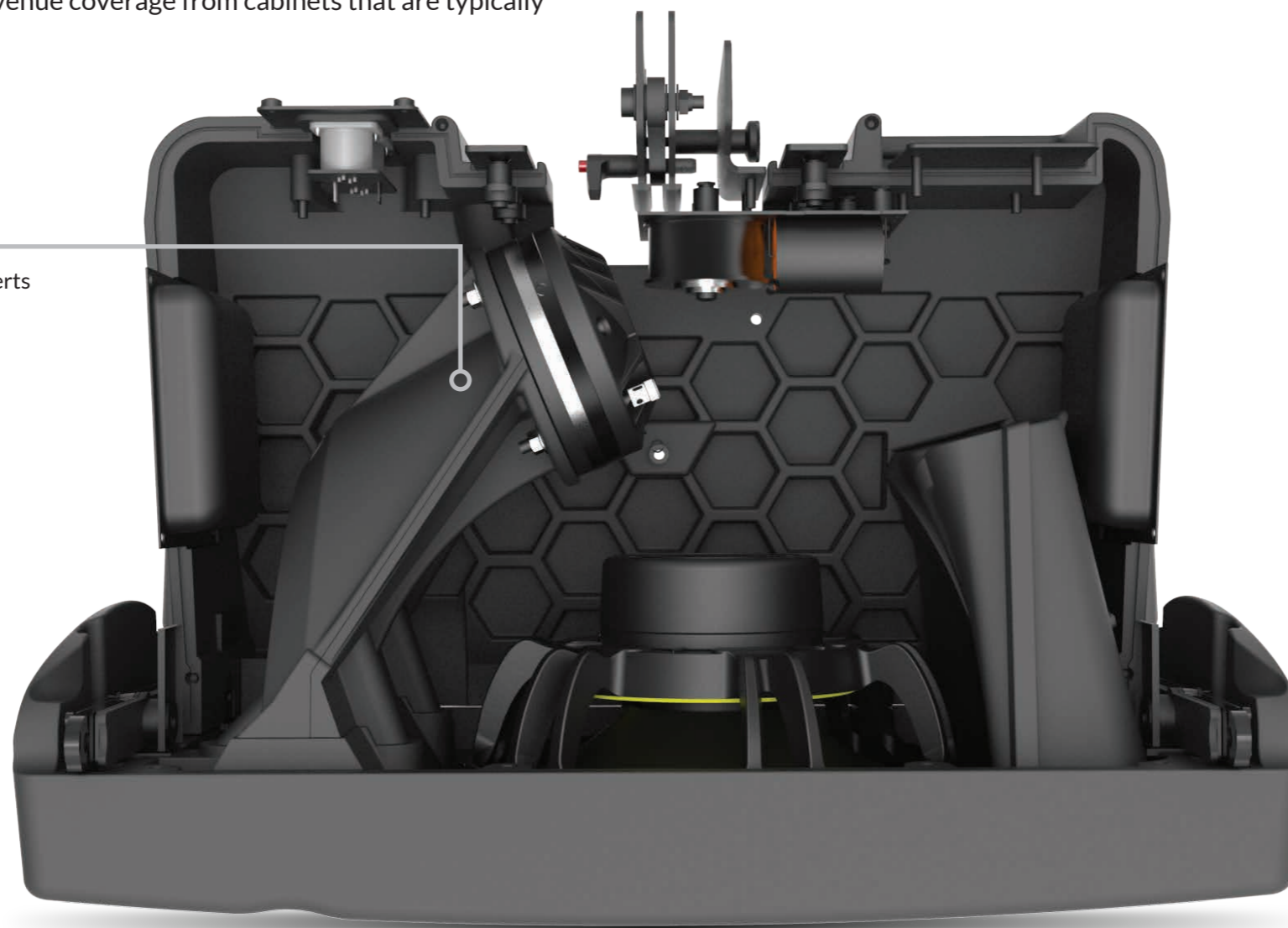
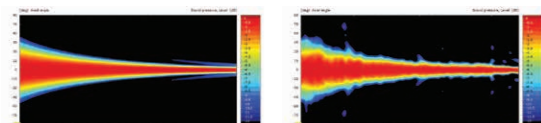
Thinking. Inside the box.

NEXO patented technology makes the difference

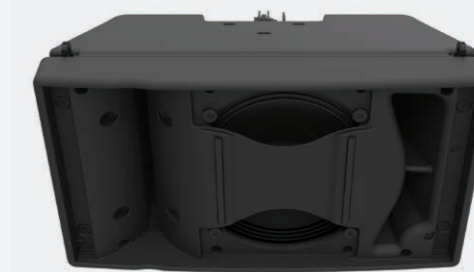
Central to the advanced performance and versatility of the GEO M Series is the deployment of a number of patented technologies, thinking 'inside the box' with a focus on the delivery of high-output, full-range sound and consistently even venue coverage from cabinets that are typically more compact than others in their class.

Acoustic coupling of cabinets up to 20kHz without interference

NEXO's patented Hyperbolic Reflector Waveguide converts the spherical wavefront generated by a high frequency compression driver into a flat or convex wavefront using an acoustic reflector, allowing speaker cabinet acoustical coupling without interference up to 20kHz.

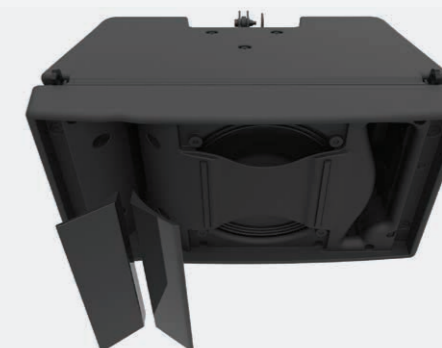


GEO M10



Reduced mid-band distortion

Another NEXO innovation, the Phase Directivity Device (PDD) splits the radiating surfaces of an LF driver into two, essentially halving the acoustic distance between coupled devices, enabling crossover points with high frequency drivers to be increased by one octave which significantly reduces mid-band distortion.



Variable directivity options

Simple but extremely effective, the Configurable Directivity Device (CDD) superimposes flanges to a horn or waveguide to modify its dispersion, providing installers with a choice of 80° or 120° horizontal coverage.



Patented Port Profile

NEXO's patented cabinet vent profiling absorbs the radiated higher order harmonics that are detrimental to on-axis frequency response and consistent directivity (GEO M10 and M12 only).

Mix. Match. Build the perfect system.

GEO M Series systems share the same sonic signature.



Constructed from a lightweight Polyurethane composite, the GEO M6 line array modules measure 373mm wide (14.7") x 191mm high (7.5") x 260mm deep (10.2").

The GEO M620 main module weighs 9.7kg (21.3lbs) and employs a 6.5", 8 Ohm, long excursion driver with phase directivity device, and a 1" throat driver on a BEA/FEA optimised HR Wavesource™.

Vertical dispersion is 20° and horizontal directivity can be changed quickly, without using tools, from 80° to 120°.

Integral rigging hardware with no loose parts makes it easy to quickly configure ground stacks and line arrays of various scales. Amplification and processing are via NEXO's NXAMP4x1MK2 running with up to three M6 cabinets per channel.

With a frequency response of 80Hz-20kHz and a nominal peak SPL of 127dB, the GEO M620 punches well above its weight.

The GEO M6B is a low and mid-frequency partner module to the GEO M620 and shares the same footprint, allowing the cabinets to be arrayed together in the same column. It weighs 7.6kg (16.7lbs) and employs a single 6.5", 8Ω Ohm long-excursion driver.

Featuring a flare-shaped port tube to increase low frequency efficiency and linearity at high power, the M6B offers a usable range of 70Hz-1kHz with an SPL of 125dB.



Constructed from a lightweight Polyurethane composite, the GEO M10 line array module measures 531mm wide (20.9") x 288mm high (11.3") x 355mm deep (14") and weighs 21kg (47lbs). It employs a 10", 8 Ohm, long excursion Neodymium driver with phase directivity device, and a 2.5" voice coil, 1.4" throat driver on a BEA/FEA optimized HR Wavesource™.

The GEO M10 module is available with two vertical dispersions; the 12° GEO M1012 and the 25° GEO M1025. Horizontal directivity of both modules can also be changed quickly, without using tools, from 80° to 120°.

Integral rigging hardware with no loose parts makes it easy to quickly configure ground stacks and line arrays of various scales. Amplification and processing are via NEXO's NXAMP4x2MK2 running with up to three M10 cabinets per channel.

With a frequency response of 59Hz-20kHz and a nominal peak SPL of 136dB, the GEO M10 is twice as powerful as the NEXO M6.

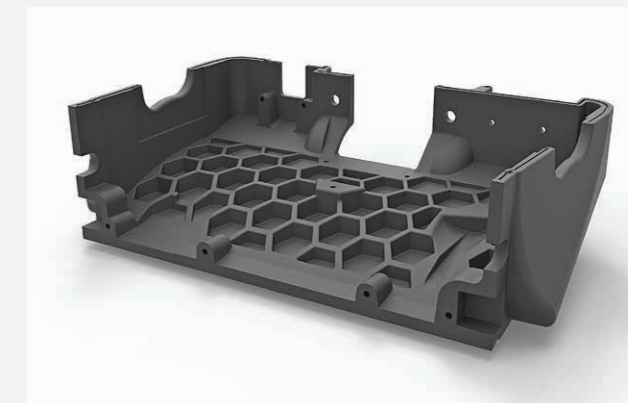


Constructed from a lightweight Polyurethane composite, the GEO M12 line array module measures 700mm wide (27.6") x 370mm high (14.6") x 446mm deep (17.6") and weighs 21kg (47lbs). It employs a 12", 8 Ohm, long excursion Neodymium driver with phase directivity device, and a 3" voice coil, 1.4" throat driver on a BEA/FEA optimised HR Wavesource™.

The GEO M12 module is available with two vertical dispersions; the 10° GEO M1210 and the 20° GEO M1220. Horizontal directivity of both modules can also be changed quickly, without using tools, from 80° to 120°.

Integral rigging hardware with no loose parts makes it easy to quickly configure ground stacks and line arrays of various scales. Amplification and processing are via NEXO's NXAMP4x4MK2 running with up to three M12 cabinets per channel. A protected switch on the rear of the M12 module allowing the user to change, on the fly, from 2-way passive to 2-way active mode, without having to open the box

With a frequency response of 50Hz-20kHz and a nominal peak SPL of 140dB, the GEO M12 is almost twice as powerful as the NEXO 12-inch line array cabinet that precedes it, the globally renowned GEO S12.



Lightweight Polyurethane Composite Cabinets

Polyurethane composite cabinets moulded in a honeycomb configuration ensure that GEO M modules are exceptionally rigid and strong, while also being light in weight.



Touring and Installation Versions

GEO M10 and M12 modules are available in touring and installation versions. The Touring versions use a magnetically fixed front steel grill with a back mesh and the connection plate features NL4 connectors. The Installation versions keeps the same acoustic design but come with a fixed front steel grid covered by an acoustic cloth. IP54 rated connectivity is made through cable gland and captive four core cables (IP Cover used on GEO M6). Installation versions are available in any RAL colour ensuring a low visual impact in any venue.



127dB SPL



6-inch Bass/Mid Driver



20° Vertical Dispersion



Variable 80°/120° Horizontal Dispersion



136dB SPL



10-inch Bass/Mid Driver



12.5°/25° Vertical Dispersion Versions



Variable 80°/120° Horizontal Dispersion



140dB SPL



12-inch Bass/Mid Driver



10°/20° Vertical Dispersion Versions



Variable 80°/120° Horizontal Dispersion



Passive/Active Modes

How much LF do you need?

Choose from a range of compatible sub bass modules.



MSUB12

Constructed from Baltic birch ply, the MSUB 12 sub bass module measures 396mm wide (15.6") x 433mm high (17") x 550mm deep (21.7") and weighs 23kg (51lbs). It employs a single 12", 6 Ohm, long excursion Neodymium driver in a high-efficiency, band pass cabinet design with a quadratic shaped profiled port.

Slightly wider than the GEO M6 main and bass modules, integral rigging hardware with no loose parts makes it easy to deploy the MSUB 12 in ground stacks and line arrays of various scales. Amplification and processing are via NEXO's NXAMP4x1MK2, with a single channel required for each sub.

With a nominal peak SPL of 130dB, the MSUB 12 has available crossover frequencies of 55-85, 55-120, 55-150, 63-120 and 63-150Hz, extending LF response down to 55Hz.



130dB SPL
12-inch Driver
55Hz



MSUB15

Constructed from Baltic birch ply, the MSUB 15 sub bass module measures 531mm wide (20.9") x 434mm high (17") x 704mm deep (27.7") and weighs 40kg (88lbs). It employs a single 15", 8 Ohm, 3" voice coil long excursion Neodymium driver in a high-efficiency, band pass cabinet design with a quadratic shaped profiled port.

The same width as the GEO M10 main modules, integral rigging hardware with no loose parts makes it easy to deploy the MSUB 15 in ground stacks and line arrays of various scales. Amplification and processing are via NEXO's NXAMP4x2MK2, with a single channel required for each sub.

With a nominal peak SPL of 136dB, the MSUB 15 has available crossover frequencies of 40-65, 40-75, 40-85, 40-95 and 40-120Hz, extending LF response down to 40Hz.



136dB SPL
15-inch Driver
40Hz



MSUB18

Constructed from Baltic birch ply, the MSUB 18 sub bass module measures 701mm wide (27.6") x 525mm high (20.7") x 704mm deep (27.7") and weighs 55kg (122lbs). It employs a single 18", 4 Ohm, long excursion Neodymium driver in a high-efficiency, band pass cabinet design with a quadratic shaped profiled port.

The same width as the GEO M12 main modules, integral rigging hardware with no loose parts makes it easy to deploy the MSUB 18 in ground stacks and line arrays of various scales. Amplification and processing are via NEXO's NXAMP4x4MK2, with a single channel required for each sub.

With a nominal peak SPL of 139dB, the MSUB 18 has available crossover frequencies of 29-65, 29-75, 29-85, 29-95 and 29-120Hz, extending LF response down to 32Hz.



139dB SPL
18-inch Driver
32Hz

Touring and Installation Versions

MSUB15 and MSUB18 bass modules are available in touring and installation versions. The Touring versions use a front steel grill with a back mesh and the connection plate features NL4 connectors. The Installation versions keep the same acoustic design but come with a fixed front steel grid covered by an acoustic cloth. IP54 rated connectivity is made through the side bumpers. Installation versions are available in any RAL colour ensuring a low visual impact in any venue.

Omni and Cardioid Modes

Easy to deploy in Omni mode, the MSUB sub bass modules also accommodate cardioid implementation either in stacked or flown configurations. The front and back rigging systems are compatible so the subs can be implemented 'front to back'. Connectivity is repeated on each side, making it easy to remove cables from audience view. NEXO's acclaimed simulation software NS-1 takes care of precise simulation of any sub configurations to predict audience coverage and rejection at the back (see page 14).





NEXO Skeleton

The most ingenious rigging system you've never seen.

As impressive as the mechanical performance is similarly impressive. All structural forces acting on a GEO M Series cluster are born by the groundbreaking NEXOSkeleton™ integral rigging system, rather than the cabinets.

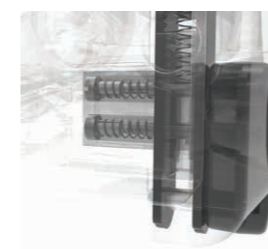
Fully TÜV certified, any configuration of cabinets can be safety-checked, using NEXO NS-1 system configuration software.



AutoRig™

Fly or stack.
Just click to deploy.

In addition, GEO M10 and M12 cabinets feature the TÜV-compliant, AutoRig™ integral rigging system. The rigging can be held in the 'open' position, locking closed when the next box is located, making it easy for one pair of hands to configure systems straight out of the flightcases. Rigging angles can be set quickly and easily from the rear of the cabinet using a single, integrated ball lock and cable tie, and a guide to hole alignment.



Main cabinets feature convenient handles on the back and sides, while the subs have handles on each side.

A full range of accessories (see pages 16/17) including Touring and 'Light' bumpers make it easy to configure ground stacks, small clusters and line arrays (including flown subs) in mobile and fixed applications.



Plug & Play power and processing

With phase linear presets for every cabinet, NEXO NXAMP_{MK2} provides a smart, compact and cost-effective amplification solution for any GEO M system.

The result of a close collaboration between NEXO and Yamaha and available in 4 x 1300 Watts, 4 x 2500 Watts and 4 x 4500 versions, NXAMP_{MK2} is the perfect, light weight, 'Plug & Play' power and control solution for GEO M loudspeaker systems.



Achieving significant advances in sound quality over previous generation NXAMPs, the NXAMP_{MK2} features 4 x ultra-low distortion Class D amplifiers and PFC (Power Factor Correction) technology, with all essential

parameters accessible via a large colour touchscreen on the front panel.

A mains voltage range of 100 to 240 Volts it means the amplifiers can be used anywhere in the world and run on all types of power generators.

A single NXAMP4x4_{MK2} can power up to 16 GEO M12 cabinets making NXAMP_{MK2} a particularly compact and cost effective amplification solution.

It's also a particularly smart one. Integrated processing features three new multi core DSPs providing a future-proofed hardware platform, equipped to host new algorithms and run next-generation firmware updates for years to come. Presets are included for all NEXO

cabinets making it easy to configure tailored systems – for instance using M12 as the main system and M10 for delays.



With NeFu, updating NXAMP_{MK2} firmware is easy; when networked together, NEXO devices can be updated in parallel in a very short time.

ProVisionaire



Four, high end analogue inputs are available with Dante™ + AES/EBU digital inputs also available through the rear panel expansion card slot with automatic analogue fall-back.. A native dual Ethernet card facilitates remote control and daisy-chaining of amplifiers and seamless integration with

NEXO's NeMo amplifier management software (see next page). NXAMP_{MK2} can also be controlled directly from Yamaha digital mixing consoles and is included in Yamaha's ProVisionaire control and monitoring software for installed systems.



A single NXAMP4x1_{MK2} powers up to 16 x GEO M6 Cabinets

A single NXAMP4x2_{MK2} powers up to 16 x GEO M10 Cabinets

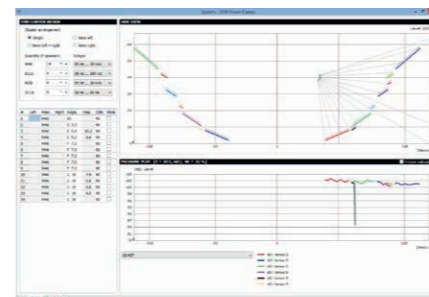
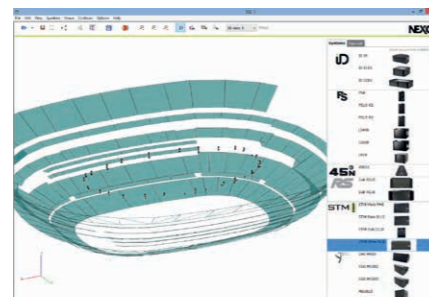
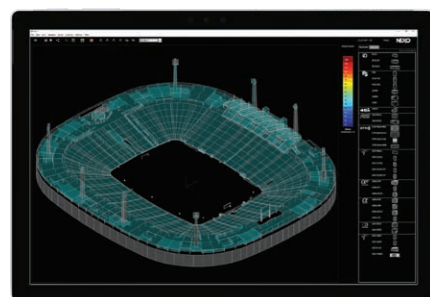
A single NXAMP4x4_{MK2} powers up to 16 x GEO M12 Cabinets



NS-1

System configuration and simulation software

Perfect coverage made easy.



Drawing

NS-1's drawing tools enable the user to design a venue very quickly. You can even import one or several images of 2D drawings such as plane or cross-section views, and design your 3D model accordingly.

Imported venue

NS-1 supports many 3D formats to import a model of your venue including: Ease, SketchUp 3D via Collada, Google Earth and STL files.

All NEXO speakers on tap

Once the geometry is defined, loudspeakers can simply be dragged and dropped into the project, and configured into flown or stacked clusters.

Surfaces

Sound pressure can be received differently on the venue surfaces. Venue items can be:

- Simple surfaces
- Standing-up or seated audience areas
- No audience areas, simply taken into account as obstacles
- Hidden to calculation.

Line-source calculations

NS-1 helps you to find the perfect series of angles for your clusters, by calculating acoustic pressure on the surfaces. Results can be displayed using NEXO's meaningful dB MIF, or other metrics of your choice.

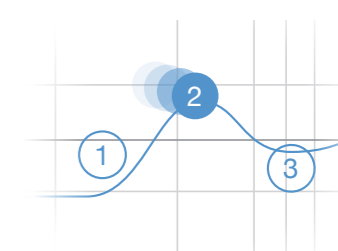
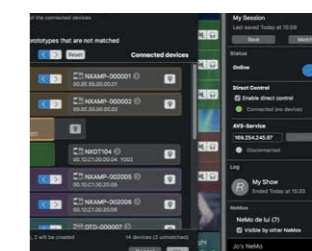
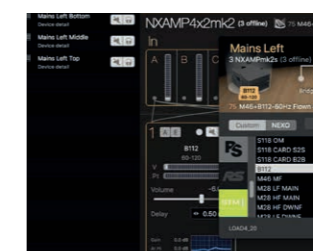
Direct sound and time coherency

NS-1 performs direct sound calculations on your geometry. They allow you to tend towards the best speaker ratio, gains and positions to match your target coverage. Furthermore, NS-1 makes it easy to align the delays of the speakers thanks to time-coherency calculations.

NeMo

System management and remote control software

Prepare the show from the best seat in the house



One session, multiple functions

NeMo saves everything from the devices, groups and zones that you have created offline or online into a session. You can share this document with other NeMos, running on Mac, iPhone or iPad.

Prepare your session offline

Creating and arranging devices
Offline device prototypes (NXAMP, NXAMP_{MK2} or DTD) can be created and grouped together in groups of devices, or zones of channels. All are represented on a map where they can be moved and stacked together, with a customizable background picture.

Match with online devices

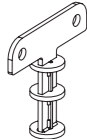
Intelligent matching
NeMo suggests a matching between online and offline devices, that you can customize. NEXO devices can be easily identified thanks to flashing screens or LEDs. NeMo allows you to choose the synchronization direction: data is taken from or sent to the online devices.

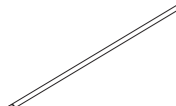
Full control at your fingertips

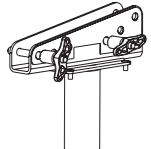
Thanks to intuitive and secure UI controls, many parameters can be edited while devices are offline or online, including preset selection, input patch, gains, delays and EQ. Several devices can be edited at once, and everything can be undone, even online.

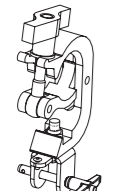
GEO M6 Accessories

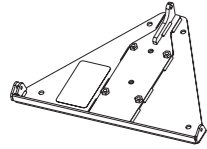


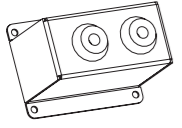
- 

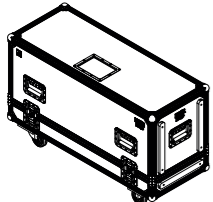
GMT-BPADPT
Pole-mount adaptor for stacking operation
- 

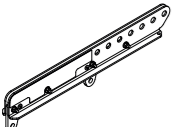
GMI-BNFIK
Cabinet linking kit (fixed installations)
- 


VNT-POLE
Pole mount top / tilt plate
- 


VNT-TCBRK
Truss clamp
- 

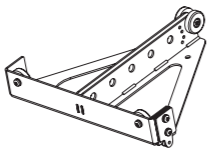
GMT-LBUMP
Light bumper for 3-cabinet (max) applications (GMT-LBUMP-PW for white version)
- 


GMI-IPCOV
IP protection cover for outdoor use (GMI-IPCOV-PW for white version)
- 

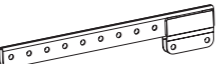
MST-2CASEMSUB12
Flight case for 2 x MSUB12
- 

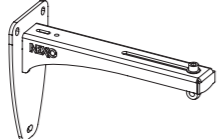
VNT-EXBARM6
Extension bar for VNT-BUMPM6, Black
- 

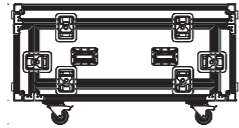
VXT-BL615
Ball lock for MSUB12
- 

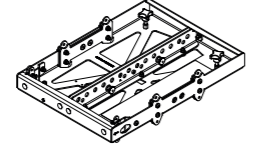
GMT-LBPADPT
Angle setting plate for 3-cabinet clusters (hanging or pole mounted)
- 

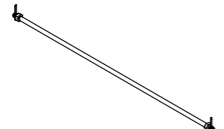
GMT-BUMPER
Mobile bumper (12 cabinets maximum) (GMT-BUMPER-PW for white version)
- 

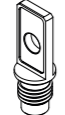
VNT-XHBRK
Truss clamp
- 

GMT-EXBAR
Extension bar for extreme tilt applications (GMT-EXBAR-PW for white version)
- 

VNI-WS15, GMT-LBUMP and GMI-BNFIK
Wall mount for 3-cabinet (max) applications (VNI-WS15PW for white version)
- 

GMT-6CASE
Flightcase for 6 x GEO M6
- 

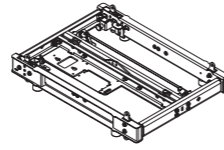
VNT-BUMPM6
Touring Bumper for GEOM6 / MSUB12, Black
- 

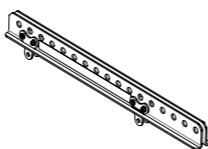
VNI-FIXBUMPM6
Fix installation bar for MSUB12 to VNT-BUMPM6
- 

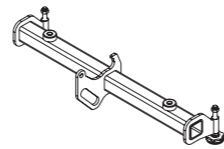
VNT-MNSTKM6
Ministacking accessory for GMT-BUMPER to MSUB12 link

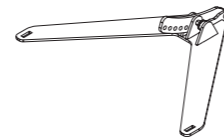
GEO M10 Accessories

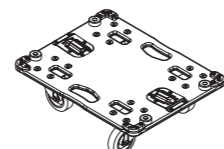



- 


VNT-BUMPM10
Lifting/Stacking bumper for GEO M10 and MSUB15, 2 rigging points, 20 Kg (VNT-BUMPM10-PW for white version)
- 

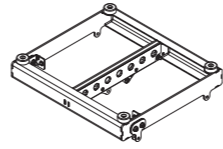
VNT-EXBARM10
Extension bar for VNT-BUMPM10, 1 or 2 rigging points, 8.8 Kg (VNT-EXBARM10-PW for white version)
- 

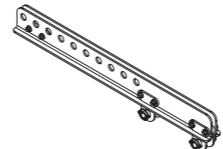
VNT-GSTKM10S
Short stacking extension for VNT-BUMPM10, 6 Kg
- 

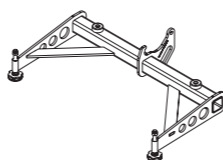
VNT-MNSTKM10
Stacking accessory for GEO M10 on top of MSUB15, 2.2 Kg
- 

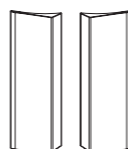
MST-WBMSUB15
Wheel board for MSUB15
- 

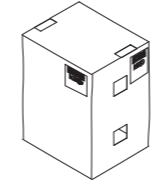
GMT-6CASEM10
Flight case for 6 x GEO M10
- 

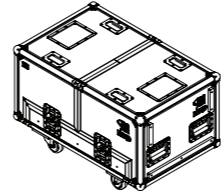
MST-2CASEMSUB15
Flight Case for 2 x MSUB15
- 

GMT-LBUMPM10
Lifting/Stacking bumper for GEO M10, 1 rigging point, 7.8 Kg
- 

GMT-EXBARM10L
Extension bar for VNT-BUMPM10, 1 or 2 rigging points, 6.9 Kg (GMT-EXBARM10L-PW for white version)
- 

VNT-GSTKM10L
Long stacking extension for VNT-BUMPM10, 9 Kg
- 

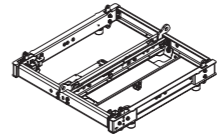
GMT-FLGM10
Pair of magnetic flanges for GEO M10 (all models) for 120° horizontal directivity (GMT-FLGM10-PW for white version)
- 

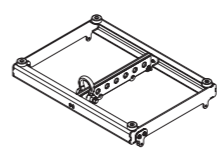
MST-COVMSUB15
Cover for MSUB15
- 

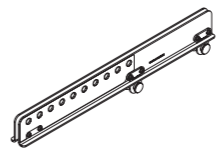
GMT-3CASEM10
Flight case for 3 x GEO M10, both side opening

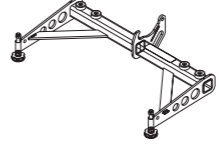
GEO M12 Accessories

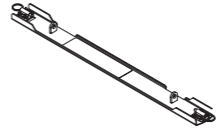


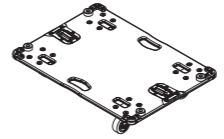
- 

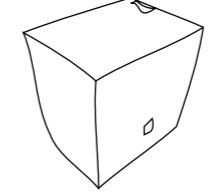
VNT-BUMPM12
Flying / Stacking bumper for GEOM12 and MSUB18, touring, 2 rigging points, 22 kg (VNT-BUMPM12-PW for white version)
- 

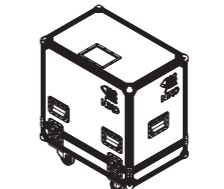
VNT-LBUMPM12
Flying / Stacking bumper for GEOM12, 1 rigging point, 10.5 kg (GMT-LBUMPM12-PW for white version)
- 

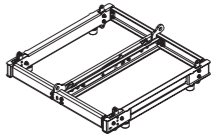
GMT-EXBARM12L
Extension bar for GMT-BUMPM12, 1 or 2 rigging points, 9.7 kg (GMT-EXBARM12L-PW for white version)
- 

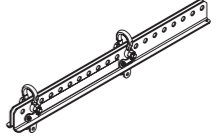
VNT-GSTKM10M12L
Long stacking extension for VNT-BUMPM10, VNI-BUMPM10, VNT-BUMPM12, VNI-BUMPM12, 9.7 kg
- 

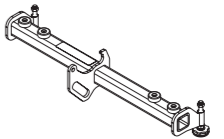
VNT-LSTKM1018
Stacking accessory for MSUB15 or GEOM10 on top of MSUB18, 1.5 kg
- 

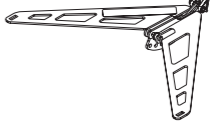
MST-WBMSUB18
Wheel board for MSUB18, 7.2 kg
- 

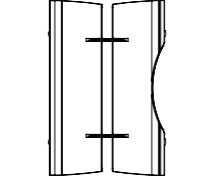
MST-COVMSUB18
Cover for MSUB18, 2.2 kg
- 

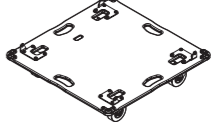
GMT-2CASEM12
Flight Case for 2 x GEOM12, 35 kg
- 

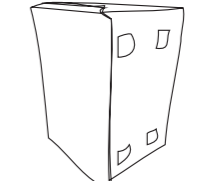
VNI-BUMPM12
Flying / Stacking bumper for GEOM12 and MSUB18, install, 2 rigging points, 20 kg (VNI-BUMPM12-PW for white version)
- 

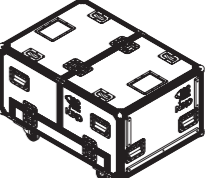
VNI-EXBARM12
Extension bar for VNT-BUMPM12 or VNI-BUMPM12, 1 or 2 rigging points, 11.5 kg (VNI-EXBARM12-PW for white version)
- 

VNT-GSTKM10M12S
Short stacking extension for VNT-BUMPM10, VNI-BUMPM10, VNT-BUMPM12, VNI-BUMPM12, 7 kg
- 

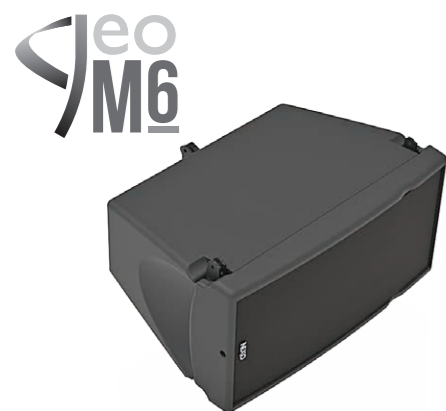
VNT-MNSTKM12
Stacking accessory for GEOM12 on top of MSUB18, 3 kg
- 

GMT-FLGM12
Pair of magnetic flanges for GEOM12, all models, for 120° horizontal directivity (GMT-FLGM12-PW for white version)
- 

MST-DOLLYMSUB18
Dolly for 2 x MSUB18, 10 kg
- 

MST-COV2MSUB18
Cover for 2 x MSUB18, 3.5 kg
- 

GMT-3CASEM12
Flight Case for 3 x GEOM12, 56 kg



NEXO TDController setup	GEO M620	GEO M6B
Frequency Response	80Hz - 19kHz ±3dB	75Hz - 120Hz ±3dB (preset-dependent)
Usable Range @ -6dB	75Hz - 20kHz	70Hz - 1kHz
Sensitivity 1W@1m	95dB SPL Nominal	94dB SPL Nominal
Nominal Peak SPL @ 1m	127dBv	125dB
HF Dispersion	80° or 120° Horizontal (CCD)	n/a
Crossover Frequencies	LF-HF: 2kHz Passive	n/a
Nominal Impedance	8Ω	
Recommended Amplifiers	450W per box (3 boxes max in parallel on one channel amplifier)	
Product Features		
Components:	LF: 1 x 6.5" 8Ω long excursion driver HF: 1 x 1" throat driver on a BEA/FEA optimized HR Wavesource	
Height x Width x Depth	191mm x 373mm x 260mm	
Weight: Net	9.7kg	7.6kg
Connectors	2 x NL4 Speakon 4 poles	
Construction	Lightweight Polyurethane composite	
Fittings:	Handles, Side Handles, Front Finish, Acoustic Fabric fitted front grille	
System Operation		
Electronic Controller	The NEXO TDController's presets are precisely matched to the GEO M6 Series cabinets and include sophisticated protection. Using GEO M6 Series cabinets without a properly connected NEXO TDController will result in poor sound quality and can damage components.	
Speaker Cabling	2+/2-	1+/1-

MSUB12



MSUB12 with NEXO processing	
Frequency Response @ -6dB	55 Hz to 150 Hz
Sensitivity 1W @ 1m	102dB SPL Nominal
NPeak SPL @ 1m	130dB
Available Crossover Frequencies	55-85, 55-120, 55-150 Hz / 63-120, 63-150 Hz
Nominal Impedance	6Ω
Recommended Power	450 to 700 Watts / 6 Ohms (equivalent to 700 to 1000 Watts / 4 Ohms amplifier)
Product Features	
Components	1 x 12" 6 Ω long excursion Neodymium driver
Height x Width x Depth	433mm x 396mm x 550mm (17.0" x 15.6" x 21.7")
Weight: Net	23 kg / 51 lbs
Connectors (Touring version)	4 x NL4, 4 poles connectors (1+/1- MSUB12 / 2+/2- Through)
Connectors (Install version)	1 x Cable gland with 2 cores cables
Rigging points	Rigging compatible with MSUB12 and GEOM6 Bumper (BUMPM6)
Construction	Baltic Birch Plywood
Finish	Black or White structural paint
Front finish	UV Resistant acoustic fabric fitted Magnelis® front grill
Operating temperature range	0°C - 40 °C (32° F - 104° F)
Storage temperature range	-20 °C - 60 °C (-4 ° F - 140° F)
System Operation	
Recommended powering solution	NXAMP4x1mk2 Powered TDcontroller: 2 x MSUB12 per channel
Optional powering solution	DTDcontroller + DTDAMP4x0.7 : 1 x MSUB12 per channel DTDcontroller + DTDAMP4x1.3 : 1 x MSUB12 per channel NXAMP4x2mk2 Powered TDcontroller: 3 x MSUB12 per channel NXAMP4x4mk2 Powered TDcontroller: 3 x MSUB12 per channel

Geo M10



NEXO TDController setup	GEO M1012 (without CDD™)	GEO M1012 (with CDD™)	GEO M1025 (without CDD™)	GEO M1025 (with CDD™)
Frequency Response @ -6 dB	59 Hz to 20 kHz			
Sensitivity 1W@1m	100 dB SPL Nominal			
Peak SPL@1m	136 dB			
Vertical Dispersion		12°		25°
Horizontal Dispersion	80°	120°	80°	120°
Passive Mode Crossover Frequency	1.3 kHz			
Nominal Impedance	8Ω			
Recommended Power	750 Watts			
Product Features				
LF Component	1 x 10" 8 Ohms long excursion Neodymium driver with PDD™			
HF Component	1 x 1.4" throat driver on a BEA/FEA optimized HR Wavesource™			
Height x Width x Depth	288mm x 531mm x 355 mm (11.3" x 20.9" x 14.0")			
Weight: Net	21kg (47lbs)			
Connectors (Touring version)	2 x NL4, 4 poles connectors (1+/1- Through, 2+/2- GEO M10)			
Connectors (Install version)	2 x Cable gland with 2 cores cables			
Construction	Lightweight Polyurethane Composite			
Fittings:	4 x Side handles (2 vertical + 2 horizontal) + back grip			
Front Finish (Touring version)	Steel front grill + back mesh			
Front Finish (Install version)	Acoustic fabric fitted front grill			
Operating temperature range	0°C - 40 °C (32° F - 104° F)			
Storage temperature range	-20 °C - 60 °C (-4 ° F - 140° F)			
System Operation				
Recommended powering solution	NXAMP4x2mk2 Powered TDcontroller: up to 3 x GEO M10 per channel			
Optional powering solution	NXAMP4x4 Powered TDcontroller: up to 4 x GEO M10 per channel NXAMP4x1mk2 Powered TDcontroller: 1 x GEO M10 per channel NXAMP4x1mk2 Powered TDcontroller (Bridged): up to 2 x GEO M10 per channel DTD TDcontroller + DTDAMP4x1.3 Power amplifier: up to 2 x GEO M10 per channel			

MSUB15



GEO MSUB15 with NEXO TDController setup	
Frequency Response @ -6 dB	40 Hz to 120 Hz
Sensitivity 1W @ 1m	101dB SPL Nominal
Nominal Peak SPL @ 1m	136dB
Crossover Frequencies	40-65, 40-75, 40-85, 40-95, 40-120 Hz
Nominal Impedance	8Ω
Recommended Power	900W per box
Product Features	
Components	1 x 15" 8Ω long excursion Neodymium driver
Height x Width x Depth	434mm x 531mm x 704mm
Weight: Net	40 kg
Connectors	4 x NL4 Speakon 4 poles (2 front and 2 back, Touring version) 2 x Cable gland with 4 core cables (front or back, Installation version)
Construction	Baltic Birch Ply & textured black or white coating
Fittings:	Handles Side Handles Front Finish Steel front grille (Touring version) Acoustic Fabric fitted front grille (Installation version)
System Operation	
Recommended powering solution	NXAMP4X2MK2 Powered TDcontroller : up to 2 x MSUB15 per channel NXAMP4X4 Powered TDcontroller : up to 3 x MSUB15 per channel
Optional powering solutions	DTD TDcontroller + DTDAMP4x1.3 Power amplifier: 1 x MSUB15 per channel NXAMP4x1MK2 Powered TDcontroller (Bridged): up to 2 x MSUB15 per channel NXAMP4X4 Powered TDcontroller : up to 3 x MSUB15 per channel
Speaker Cabling	1+/1-

Geo M12



GEO M12 with NEXO processing	GEO M1210 (without CDD™)	GEO M1210 (with CDD™)	GEO M1220 (without CDD™)	GEO M1220 (with CDD™)
Frequency Response @ -6 dB	50 Hz to 20 kHz			
Sensitivity 1W@1m	105 dB SPL Nominal			
Peak SPL@1m	140 dB			
Vertical Dispersion		10°		20°
Horizontal Dispersion	80°	120°	80°	120°
Passive Mode Crossover Frequency	1.1 kHz			
Nominal Impedance	Active mode: (8 LF + 16 HF) / Passive mode: 8			
Recommended Power	Active mode: (1250 Watts LF + 625 W HF) / Passive mode: 1250 Watts			
Product Features				
LF Component	1 x 12" 8 Ohms long excursion Neodymium driver with PDD™			
HF Component	1 x 3" voice coil 1.4" throat driver on a BEA/FEA optimized HR Wavesource™			
Height x Width x Depth	370mm x 700mm x 446 mm (14.6" x 27.6" x 17.6")			
Weight: Net	34 kg (75 lbs)			
Connectors (Touring version)	2 x NL4, 4 poles connectors			
Touring Connectors pinout	Passive mode: (1+/1- Through, 2+/2- GEO M12) / Active Mode: (1+/1- LF, 2+/2- HF)			
Connectors (Install version)	2 x Cable gland with 4 cores cables			
Active / Passive mode selection	Ruggedized, recessed, waterproof 2 position switch			
Construction	Lightweight Polyurethane Composite			
Fittings:	2 x Side handles horizontal + back grip			
Front Finish (Touring version)	Steel front grill + back mesh			
Front Finish (Install version)	Acoustic fabric fitted front grill			
System Operation				
Operating temperature range	0°C - 40 °C (32° F - 104° F)			
Storage temperature range	-20 °C - 60 °C (-4 ° F - 140° F)			
Recommended powering solution	NXAMP4x4 Powered TDcontroller: up to 3 x GEO M12 per channel			
Optional powering solution	NXAMP4x2mk2 Powered TDcontroller: 1 x GEO M12 per channel NXAMP4x1mk2 Powered TDcontroller (Bridged): up to 2 x GEO M12 per channel			

MSUB18



MSUB18 with NEXO TDController Setup	
Frequency Response @ -6 dB	32 Hz to 120 Hz
Sensitivity 1W@1m	107 dB SPL Nominal
Peak SPL@1m	139 dB
Available Crossover Frequencies	29-65, 29-75, 29-85, 29-95, 29-120 Hz
Nominal Impedance	4 Ohms
Recommended Power	2000 Watts
Product Features	
Components	1 x 18" 4 Ohms very long excursion Neodymium driver
Height x Width x Depth	525mm x 701mm x 704mm (20.6" x 27.6" x 27.7")
Weight: Net	55 kg / 122 lbs
Connectors (Touring version)	4 x NL4, 4 poles connectors (1+/1- MSUB18 / 2+/2- Through)
Connectors (Install version)	2 x Cable gland with 2 cores cables
Construction	Baltic Birch Plywood & textured black or white coating
Fittings:	8 x Side handles
Front Finish (Touring version)	Steel front grill + back mesh
Front Finish (Install version)	Acoustic fabric fitted front grill
Operating temperature range	0°C - 40 °C
Storage temperature range	-20 °C - 60 °C
System Operation	
Recommended powering solution	NXAMP4x4 Powered TDcontroller: up to 2 x MSUB18 per channel
Optional powering solution	NXAMP4x1mk2 Powered TDcontroller (Bridged): 1 x MSUB18 per channel NXAMP4x2mk2 Powered TDcontroller: 1 x MSUB18 per channel



NEXO
Parc d'Activité
du Pré de la Dame Jeanne
B.P.5
60128 Plailly
FRANCE
Tel: +33 (0)3 44 99 00 70
Fax: +33 (0)3 44 99 00 30
E-mail: info@nexo.fr

Deployment of NEXO systems should always comply with current control of noise, hearing protection and manual handling legislation, and NEXO products should always be operated in accordance with their accompanying Operating Instructions.

NEXO NS-1 System Configuration software can be used to predict sound pressure levels and coverage of NEXO systems in a specified venue or setting, also certifying that mechanical constraints are satisfied.

NEXO is a founding member of the HELA initiative (Healthy Ears, Limited Annoyance) that aims to transform the live music and events industry by advancing safe, healthy, and sustainable sound practices through education, research, and collaboration.



Scan for more information