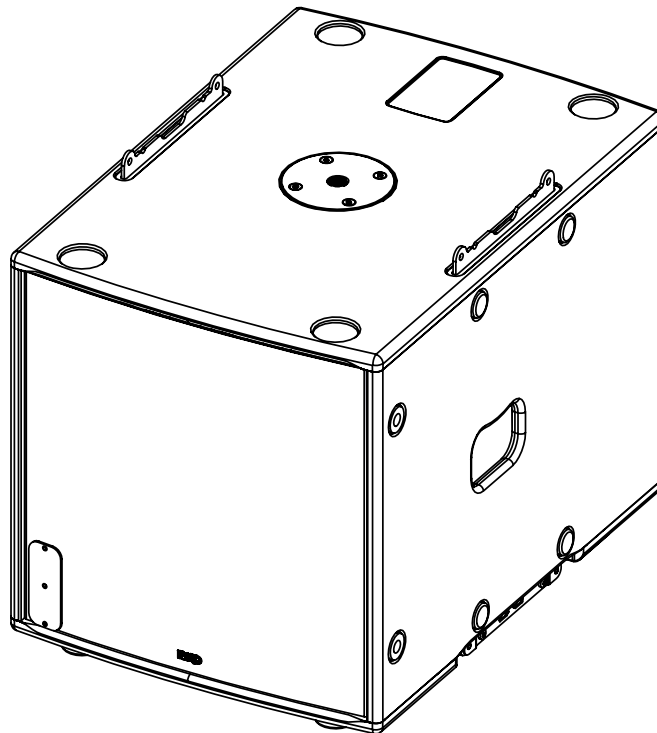
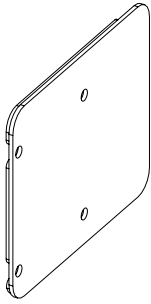
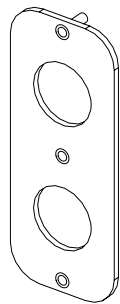
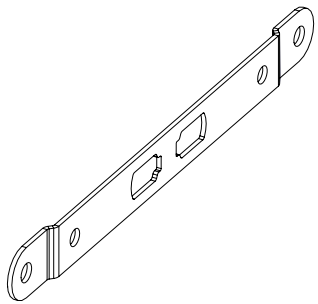
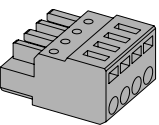
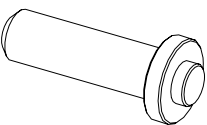
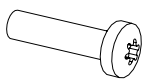


Installation kit for MSUB12-I



Contents:

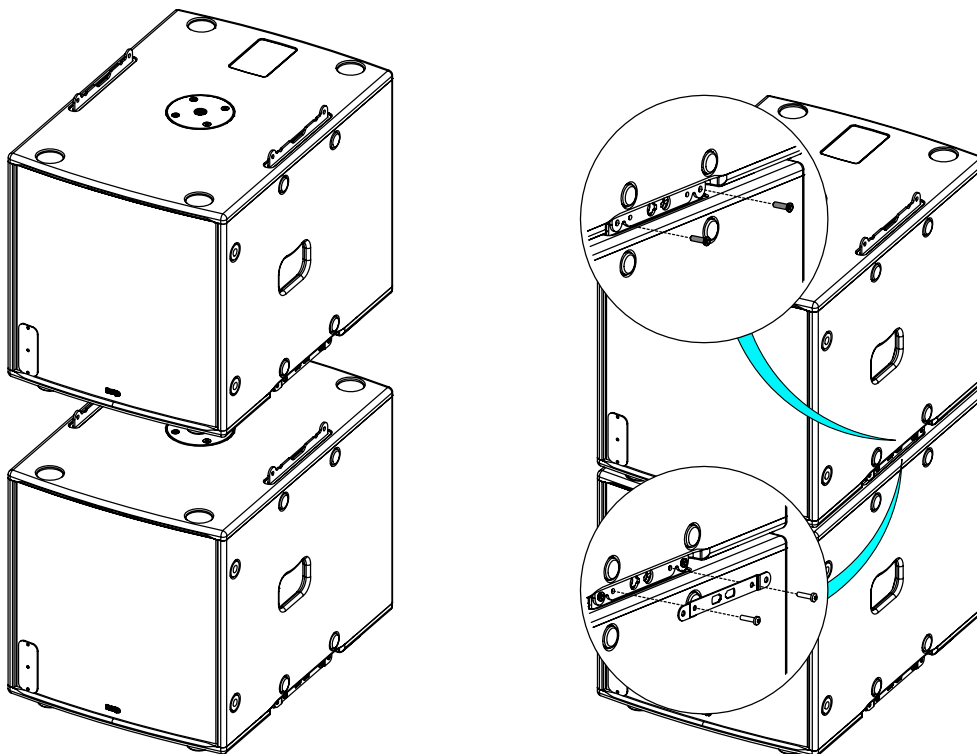
X1 	X1 	X2 
X1 	X4 	X4 

Rigging

Place MSUB12 on the top of a second MSUB18.

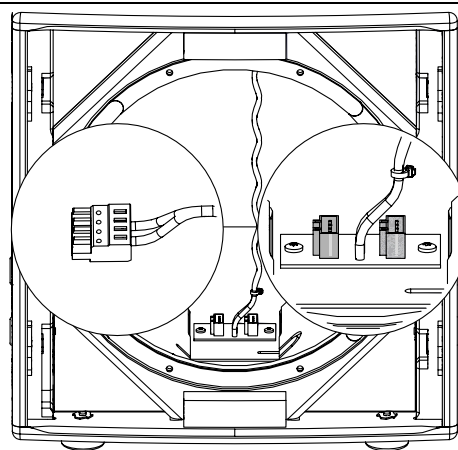
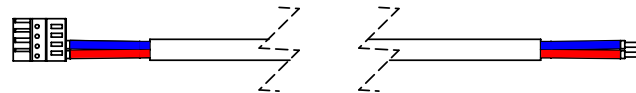
Insert 4 pins (2 on both sides).

Secure with the provided plats and the screws.



How to connect a second cable?

Remove the driver.
Wire the provided connector WAGO 4pt.
Plug it to the free connector.
Pass the cable through the cable-gland.
Tight the cable-gland.
Close MSUB12.



NEXO

nexo-sa.com

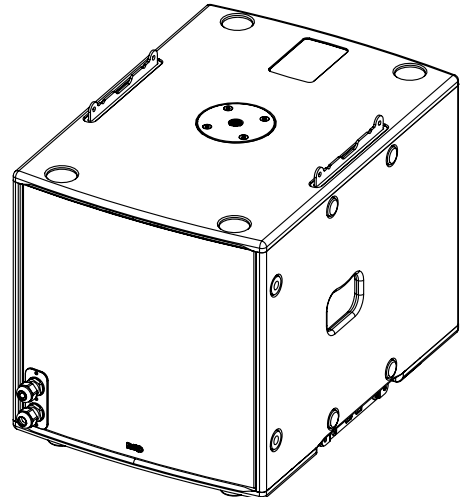
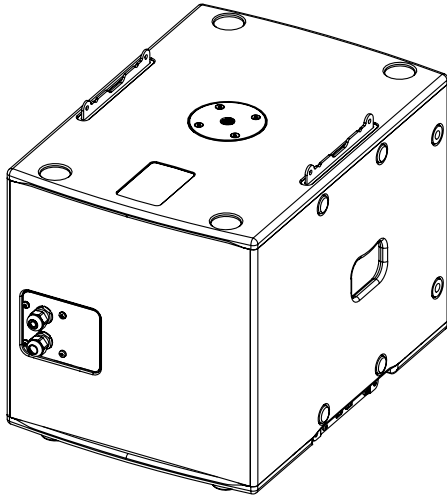
ZA du Pre de la Dame Jeanne
60128 PLAILLY - France

- Read this document before using.
- Keep this document.
- Observe all warnings and cautions.



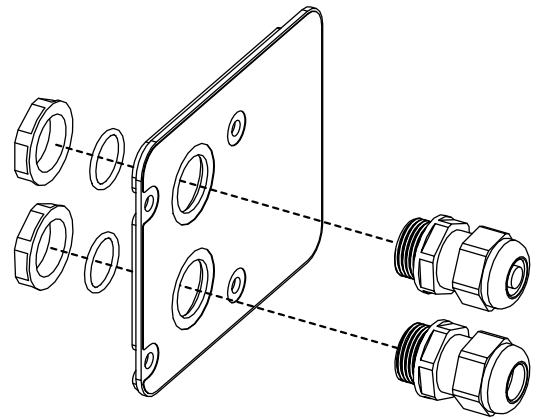
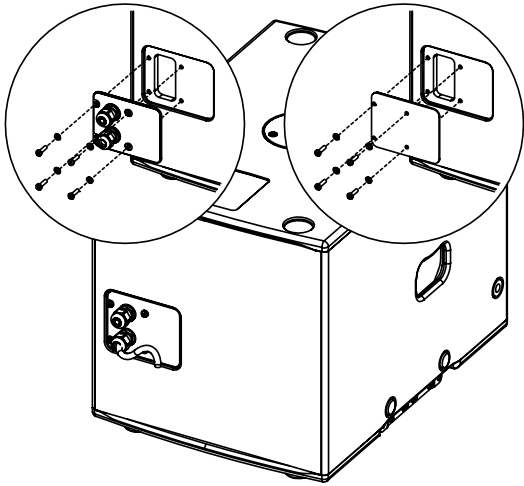
Setting

MSUB12-I is packaged with the connection plate on the back. You can place a connection plate on the front.



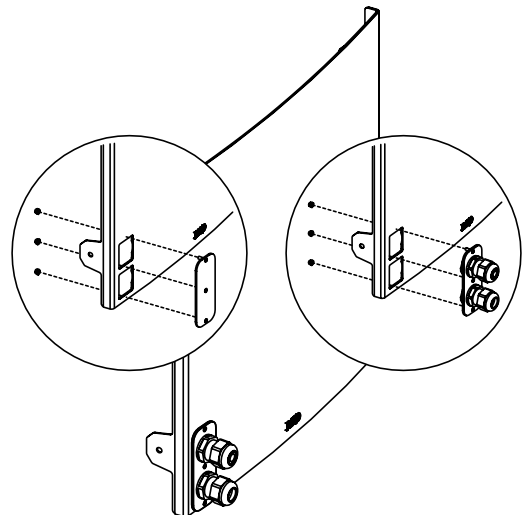
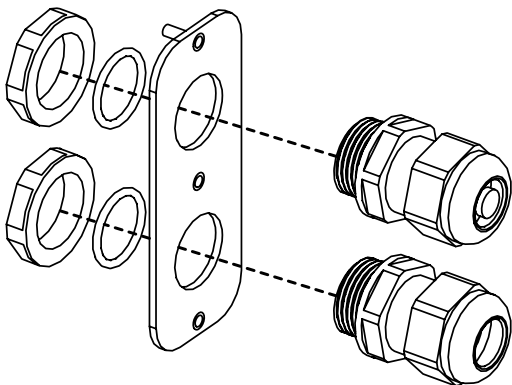
Remove the connection plate with the cable glands. Place the provided plate.

Remove the cable glands.



Assemble the cable glands on the front plate

Place the front plate on the grille. Pass the cable before closing the front grille. The cable must pass through the lower left vent.



NEXO

nexo-sa.com

ZA du Pre de la Dame Jeanne
60128 PLAILLY - France

- Read this document before using.
- Keep this document.
- Observe all warnings and cautions.



- NEXO cannot accept responsibility for accidents caused by any factor other than defects in this product itself.
- Please check the web site nexo-sa.com for the latest update.

NEXO

nexo-sa.com

ZA du Pre de la Dame Jeanne
60128 PLAILLY - France

- Read this document before using.
- Keep this document.
- Observe all warnings and cautions.

