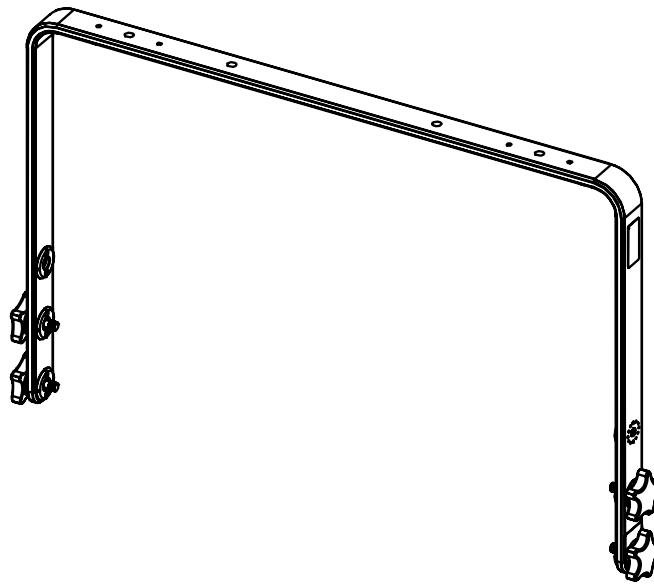
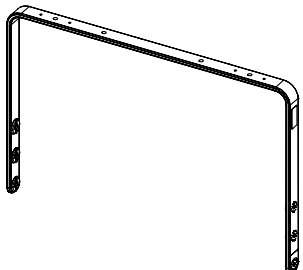
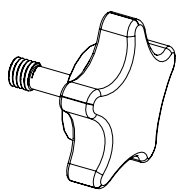
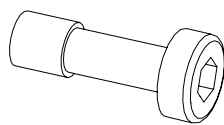



### Horizontal Bracket for L20

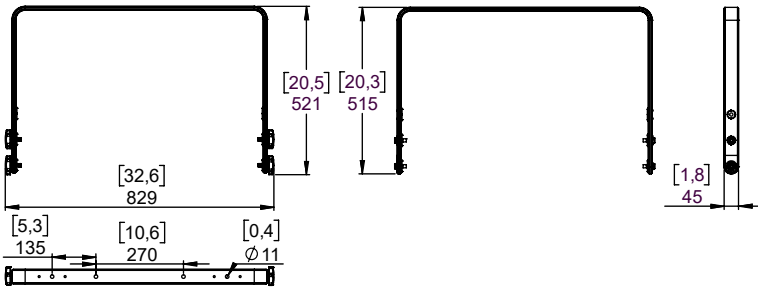


**Contents:**

<p>X1</p> 	<p>X4</p> <p>KNOBM10-P3783</p> 	<p>X4</p> <p>VXTCHC-P4449</p> 	<p>X4</p> <p>VRA10N (M10)</p> 
-----------------------------------------------------------------------------------------------	--------------------------------------------------------------------------------------------------------------------	--------------------------------------------------------------------------------------------------------------------	---------------------------------------------------------------------------------------------------------------------

Weight: 2.7 kg / 6 lb

### Dimensions:



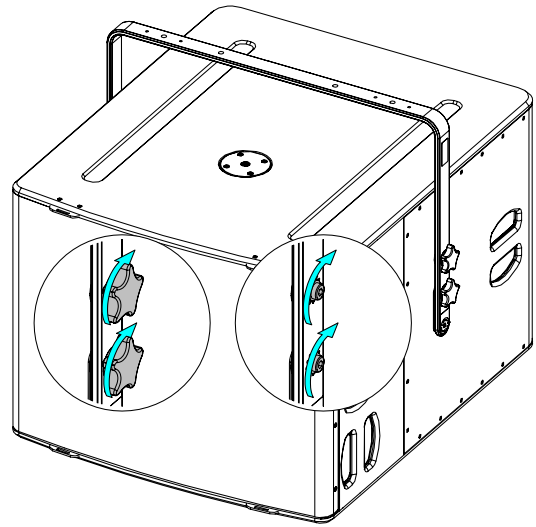
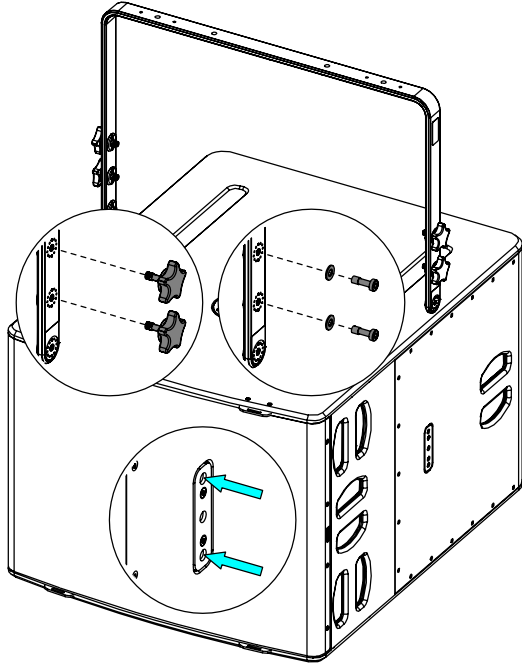
### Safety

For permanent installation, use the provided thread lock coated screws.

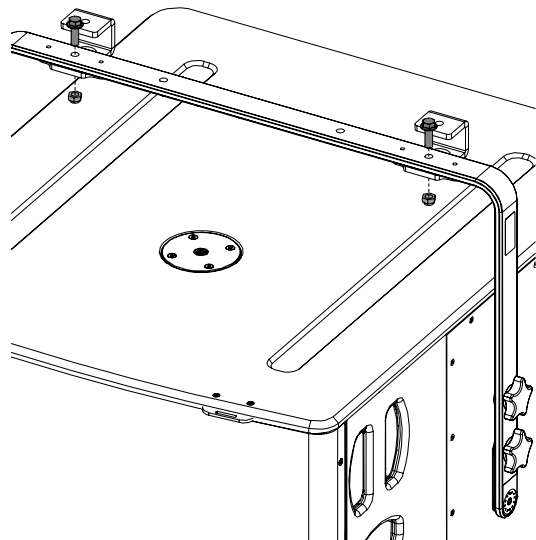
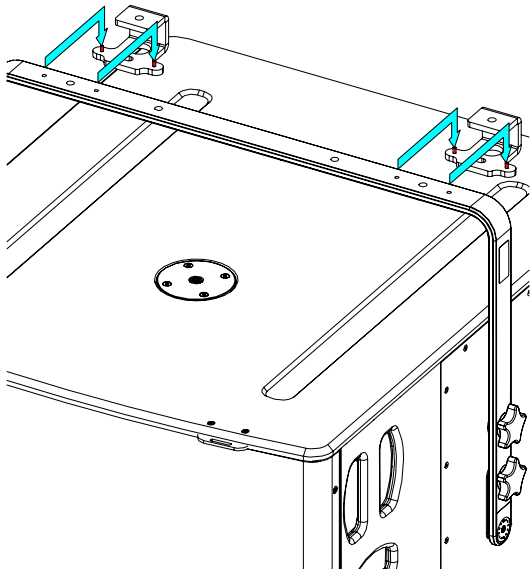
Please, select screws and mounting location supporting 4 times the system weight

### Assembly:

Place HBRK20 (low or high position of the bracket) on L20, use only fasteners provided. Tight properly.



Place on CLADAPT, use the 2 guides. Tight with the fasteners provided with CLADAPT



- NEXO cannot accept responsibility for accidents caused by any factor other than defects in this product itself.
- Please check the web site [nexo-sa.com](http://nexo-sa.com) for the latest update.

# NEXO

nexo-sa.com  
ZA du Pre de la Dame Jeanne  
60128 PLAILLY - France

- Read this document before using.
- Keep this document.
- Observe all warnings and cautions.

