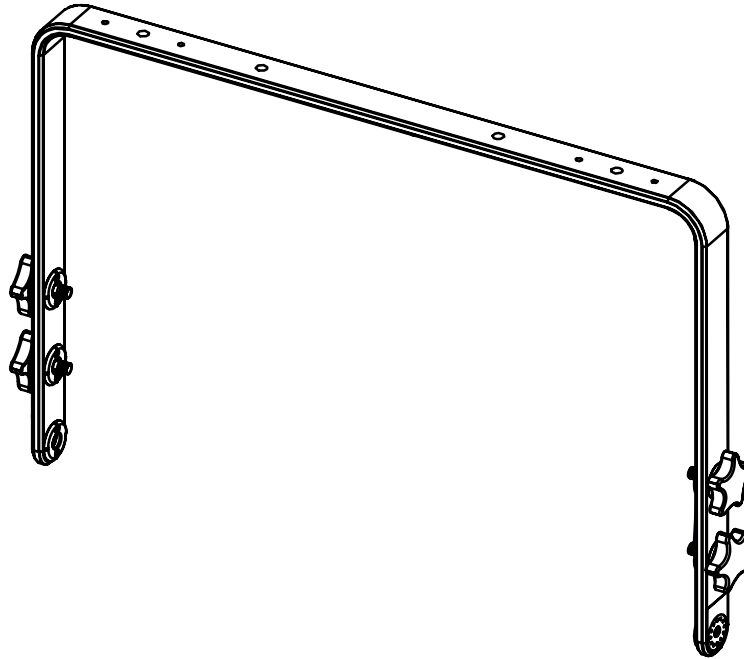
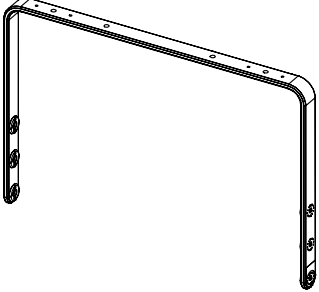
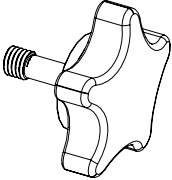
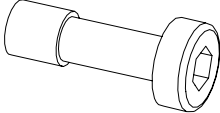



Horizontal Bracket for L18



Contents:

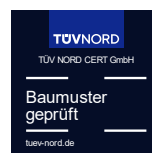
<p>X1</p> 	<p>X4</p> <p>KNOBM10-P3783</p> 	<p>X4</p> <p>VXTCHC-P4449</p> 	<p>X4</p> <p>VRA10N (M10)</p> 
--	--	--	---

Weight: 2.4 kg / 5.3 lb

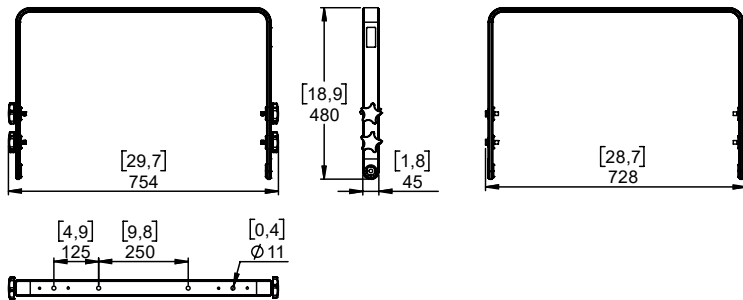


nexo-sa.com
ZA du Pre de la Dame Jeanne
60128 PLAILLY - France

- Read this document before using.
- Keep this document.
- Observe all warnings and cautions.



Dimensions:

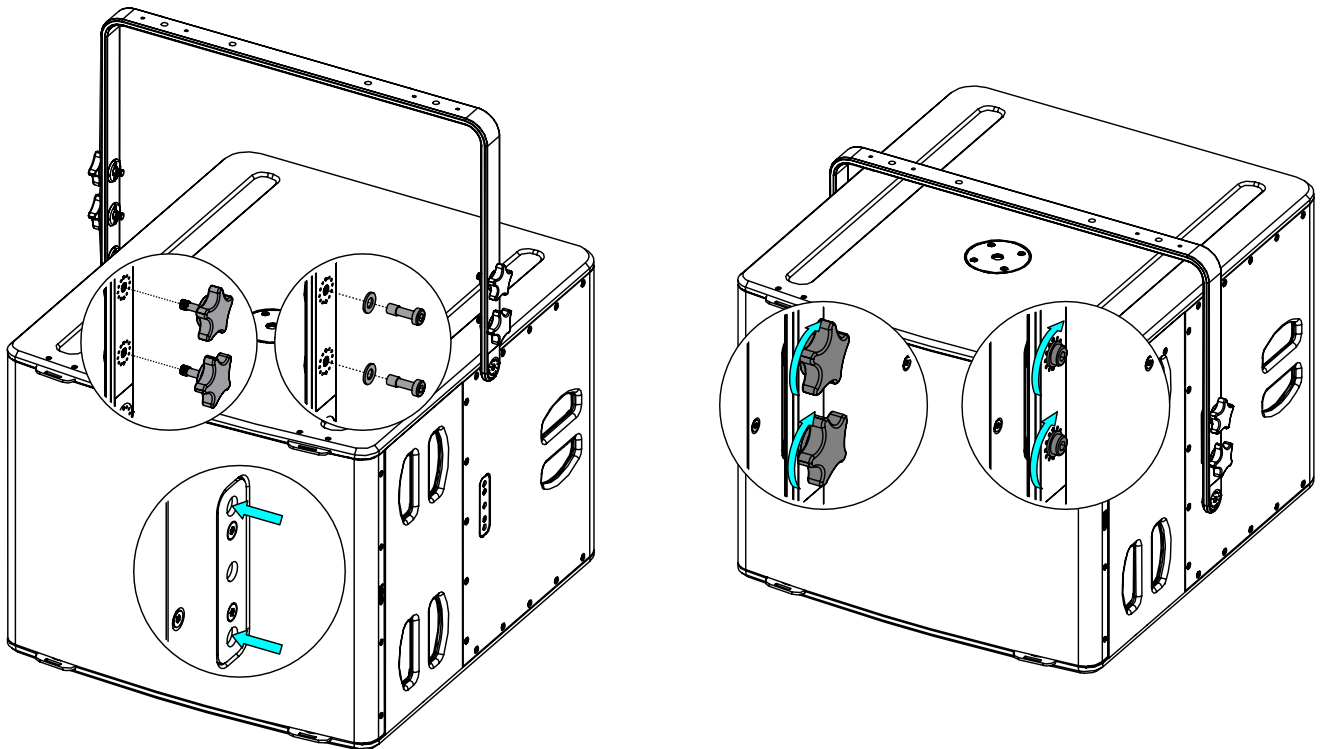


Safety

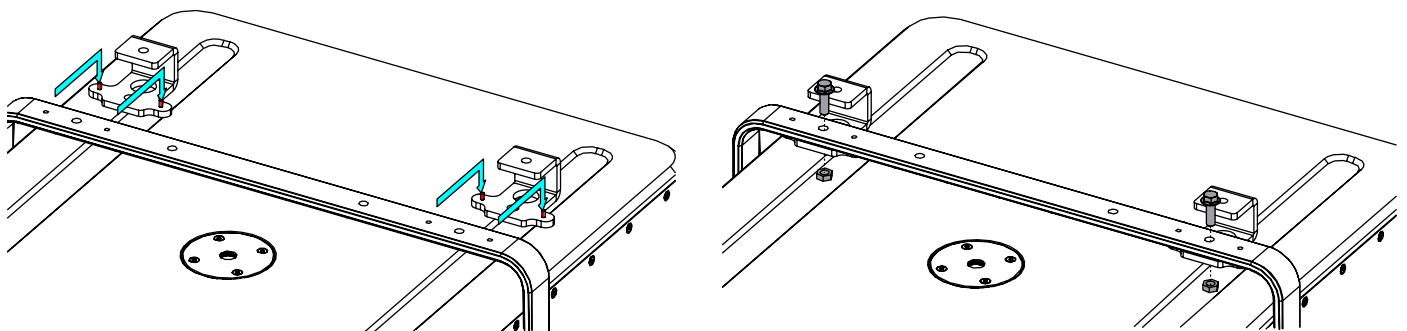
For permanent installation, use the provided thread lock coated screws.
Please, select screws and mounting location supporting 4 times the system weight

Assembly:

Place HBRK18 (low or high position of the bracket) on L18, use only fasteners provided. Tight properly.



Place on CLADAPT, use the 2 guides. Tight with the fasteners provided with CLADAPT



- NEXO cannot accept responsibility for accidents caused by any factor other than defects in this product itself.
- Please check the web site nexo-sa.com for the latest update.



nexo-sa.com
ZA du Pre de la Dame Jeanne
60128 PLAILLY - France

- Read this document before using.
- Keep this document.
- Observe all warnings and cautions.

