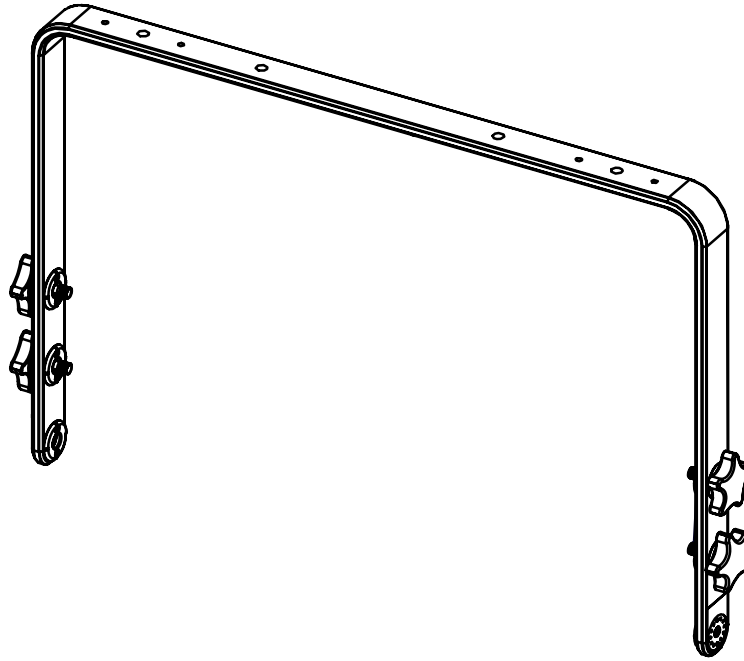
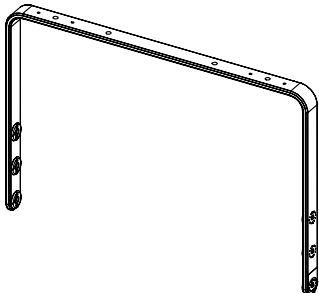
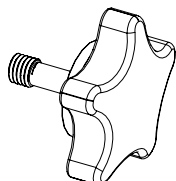
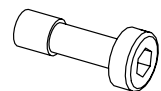



Horizontal Bracket for L18



Contents:

 <p>X1</p>	 <p>X4</p>	 <p>X4</p>	 <p>X4</p>
--	---	--	---

Weight: 2.4 kg / 5.3 lb

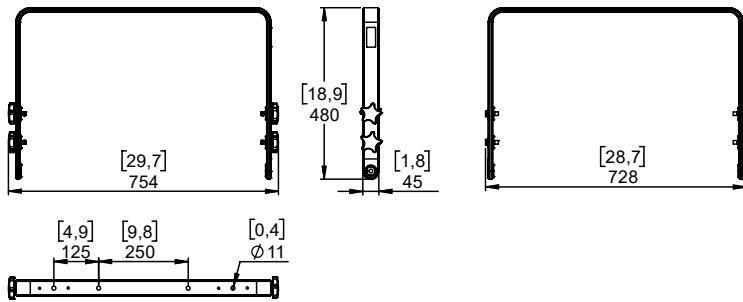


nexo-sa.com
ZA du Pre de la Dame Jeanne
60128 PLAILLY - France

- Read this document before using.
- Keep this document.
- Observe all warnings and cautions.



Dimensions:



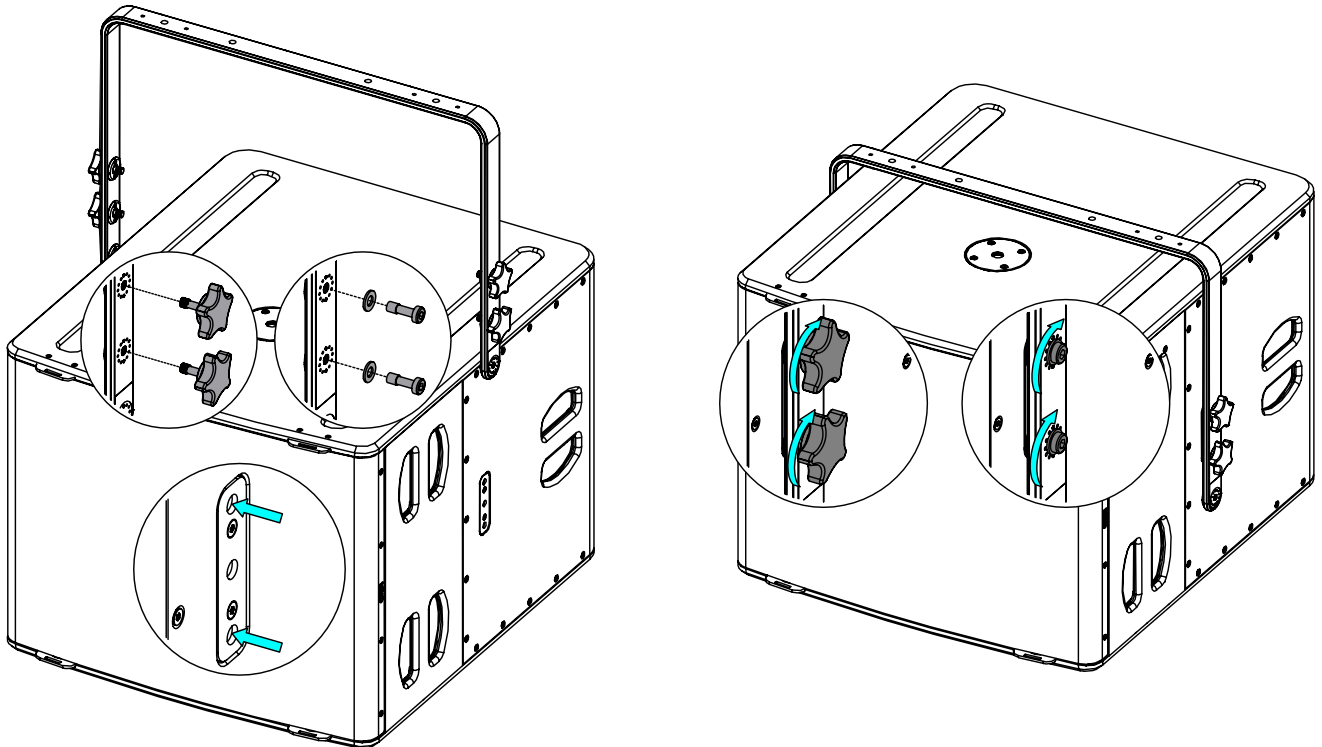
Safety

For permanent installation, use the provided thread lock coated screws.

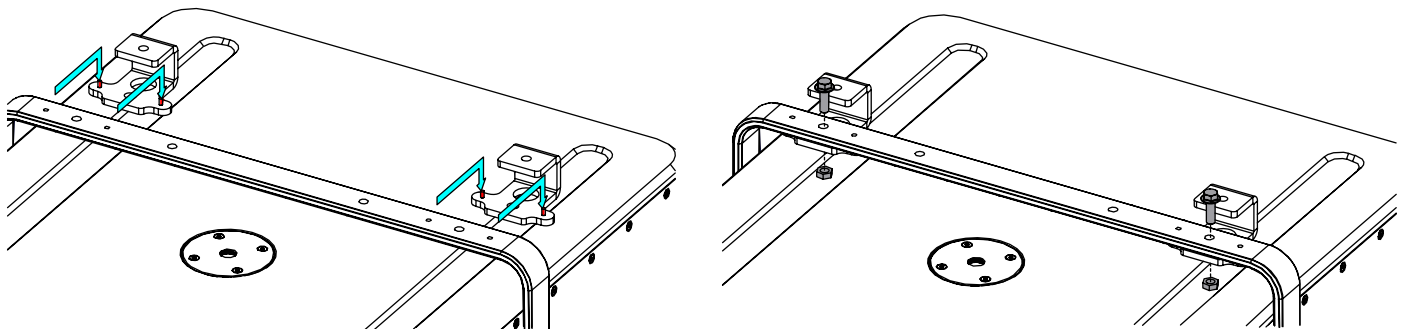
Please, select screws and mounting location supporting 4 times the system weight

Assembly:

Place HBRK18 (low or high position of the bracket) on L18, use only fasteners provided. Tight properly.



Place on CLADAPT, use the 2 guides. Tight with the fasteners provided with CLADAPT



- NEXO cannot accept responsibility for accidents caused by any factor other than defects in this product itself.
- Please check the web site nexo-sa.com for the latest update.

NEXO

nexo-sa.com
ZA du Pre de la Dame Jeanne
60128 PLAILLY - France

- Read this document before using.
- Keep this document.
- Observe all warnings and cautions.

