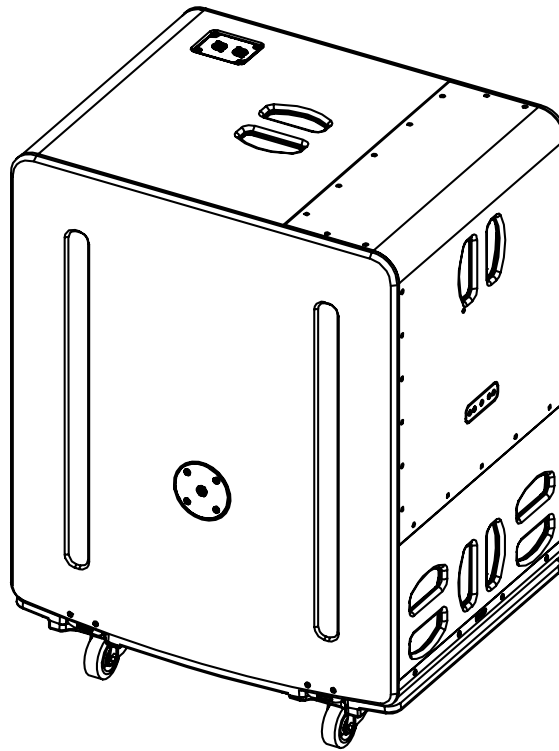
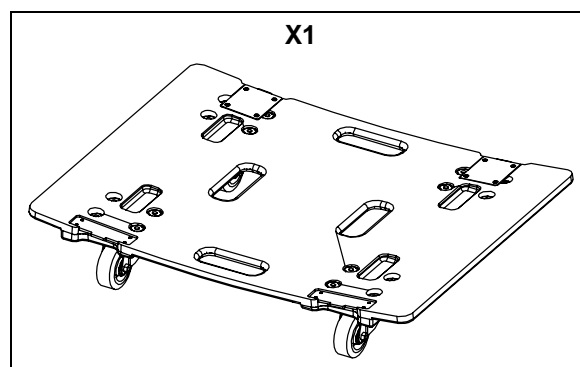


Wheelboard for L20

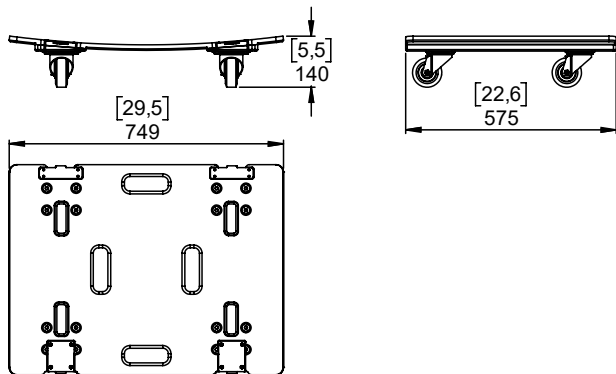


Contents:



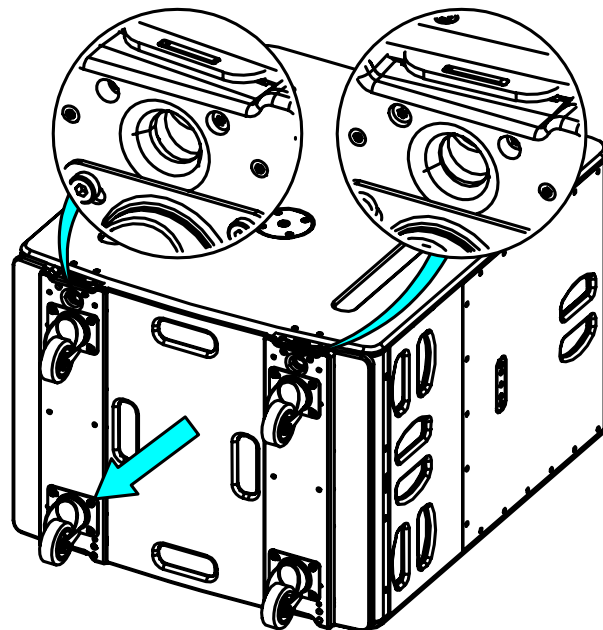
Weight: 10 kg / 22 lb

Dimensions:

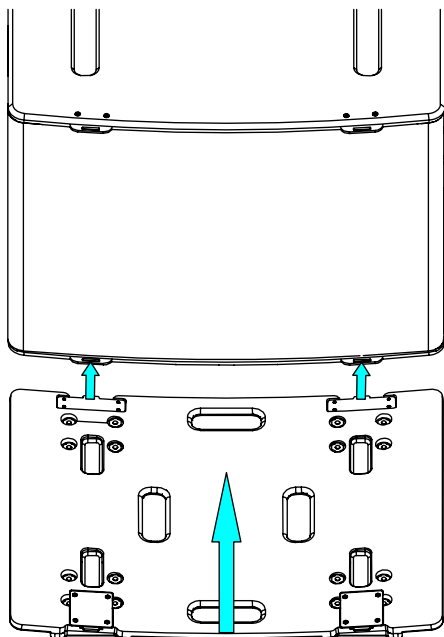


Use:

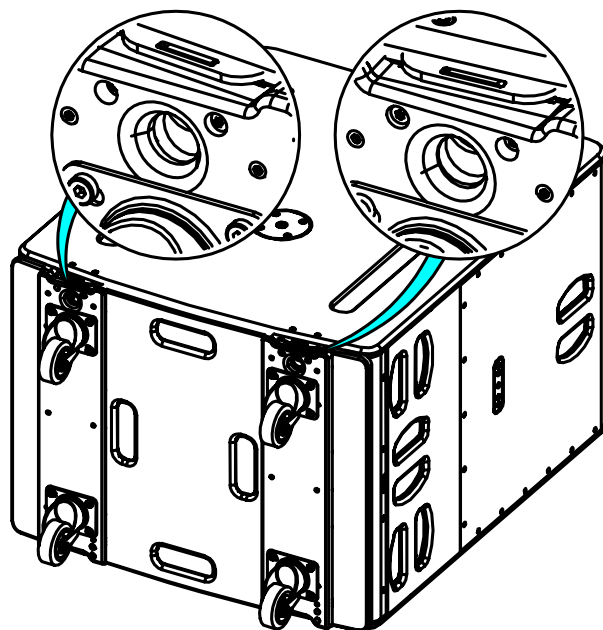
- Push the 2 latches to unlock the Wheelboard.
- Pull up the Wheelboard towards you.



Insert the 2 metal brackets in the spigots.



Push the 2 latches and lock the Wheelboard.



- NEXO cannot accept responsibility for accidents caused by any factor other than defects in this product itself.
- Please check the web site nexo-sa.com for the latest update.

NEXO

nexo-sa.com
ZA du Pre de la Dame Jeanne
60128 PLAILLY - France

- Read this document before using.
- Keep this document.
- Observe all warnings and cautions.

