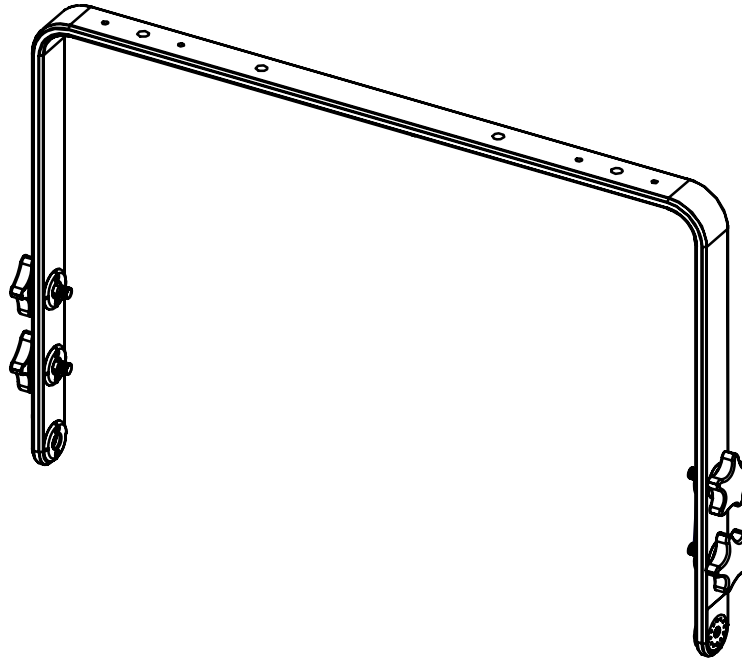
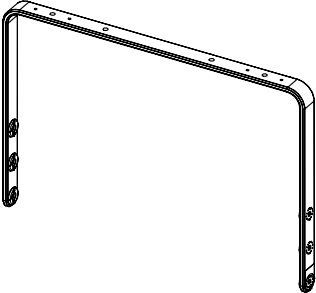
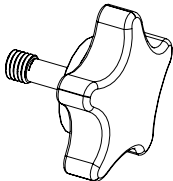
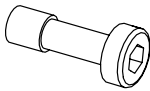



Horizontal cradle for L18

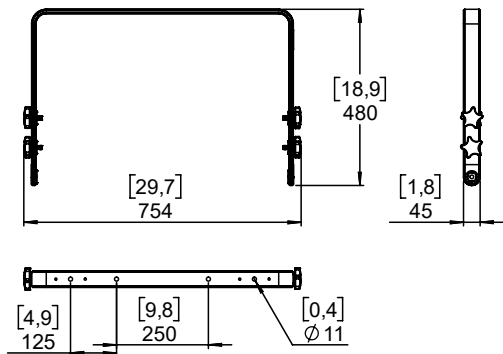


Contents:

<p>X1</p> 	<p>X4</p> 	<p>X4</p> 	<p>X4</p> 
--	---	--	---

Weight: 2.4 kg / 5.3 lb

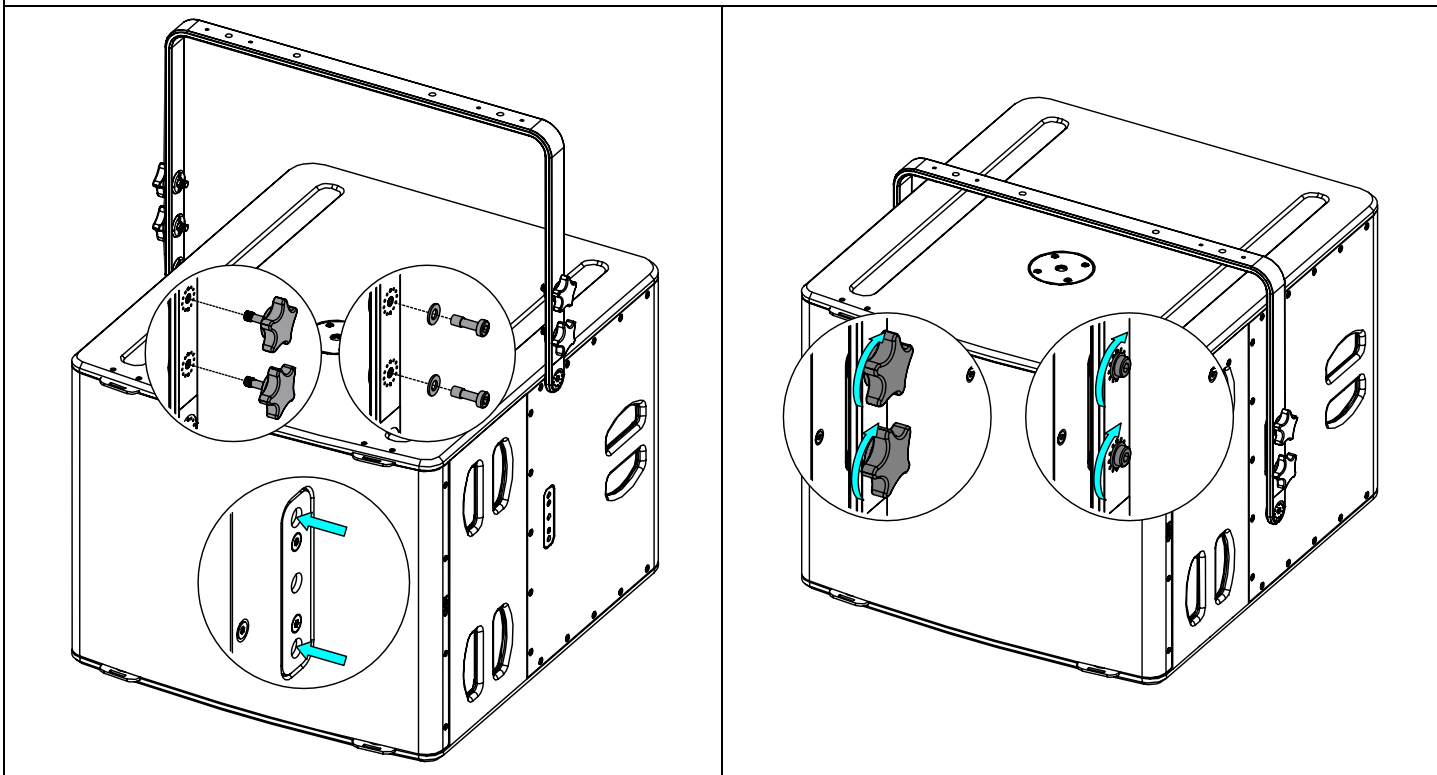
Dimensions:



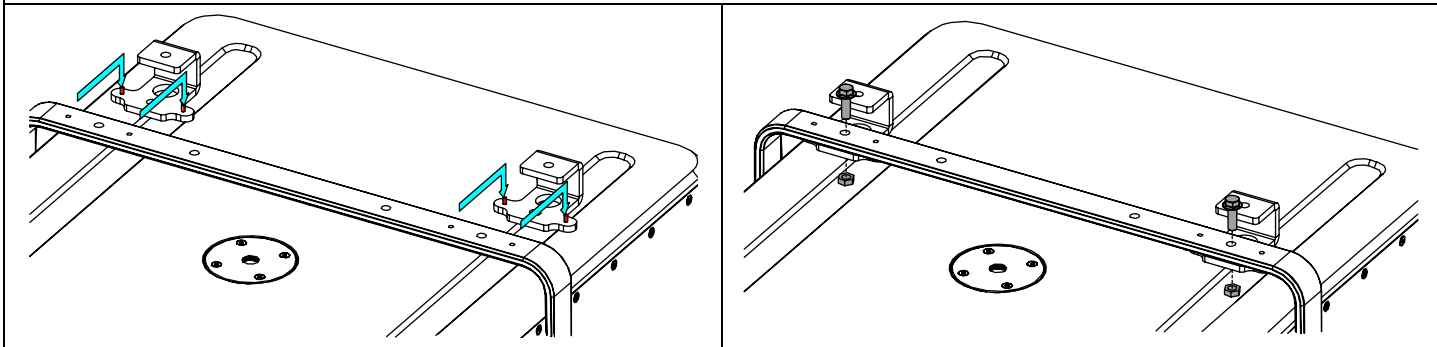
Please, select screws and mounting location supporting 4 times the system weight.

Assembly:

Place HBRK18 on L18, use only fasteners provided (thread lock coated screws for fixed installation). Tight properly.



Place on CLADAPT, use the 2 guides. Tight with the fasteners provided with CLADAPT



- NEXO cannot accept responsibility for accidents caused by any factor other than defects in this product itself.
- Please check the web site nexo-sa.com for the latest update.