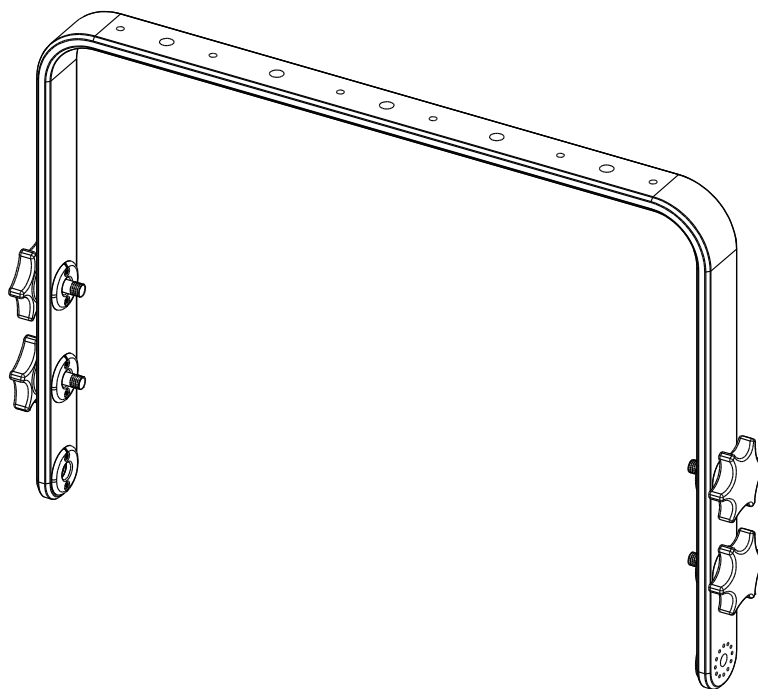
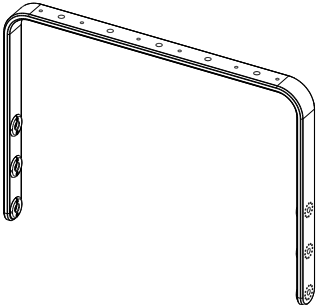
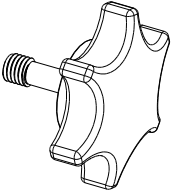
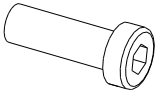



Horizontal Touring Cradle for L15

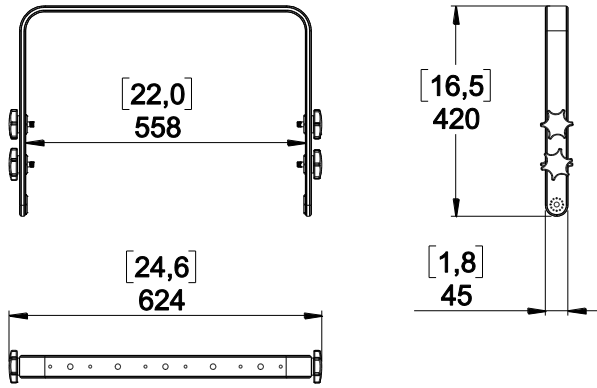


Contents:

 <p>X1</p>	 <p>X4</p>	 <p>X4</p>	 <p>X4</p>
--	---	--	---

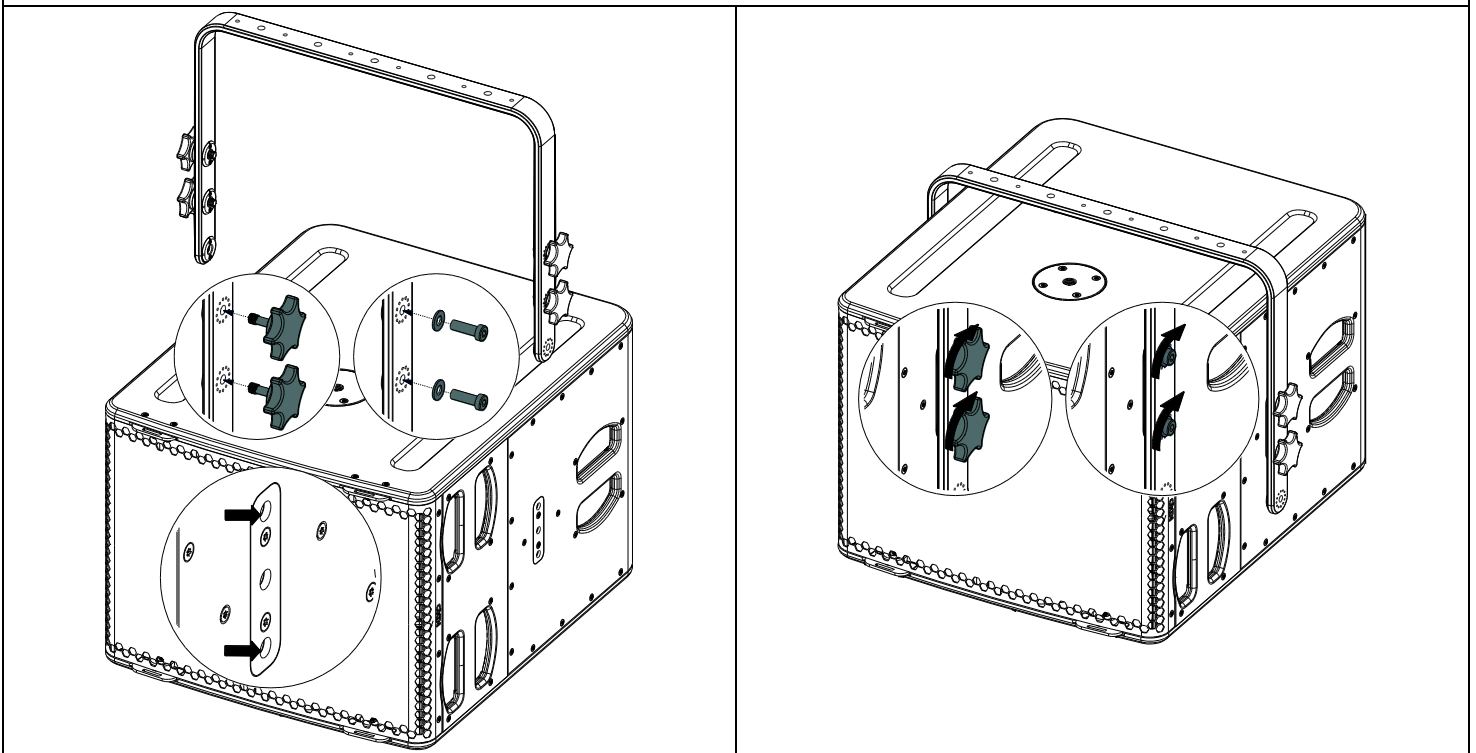
Weight: 2 kg / 4.4 lb

Dimensions:

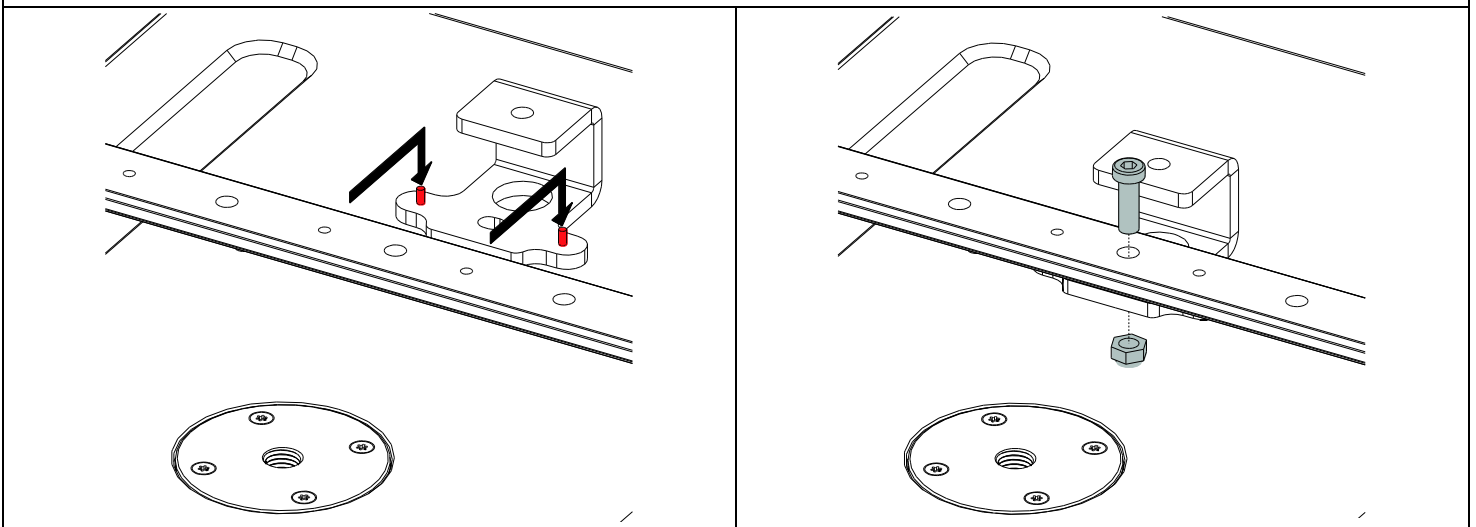


Assembly:

Place HBRK15 on L15, use only fasteners provided (thread lock coated screws for fixed installation). Tight properly.



Place on CLADAPT, use the 2 guides. Tight with the fasteners provided with CLADAPT



- NEXO cannot accept responsibility for accidents caused by any factor other than defects in this product itself.
- Please check the web site nexo-sa.com for the latest update.

NEXO

nexo-sa.com

ZA du Pre de la Dame Jeanne
60128 PLAILLY - France

- Read this document before using.
- Keep this document.
- Observe all warnings and cautions.

