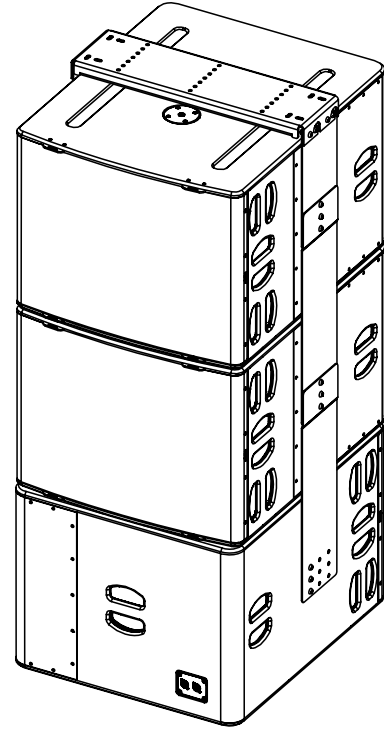
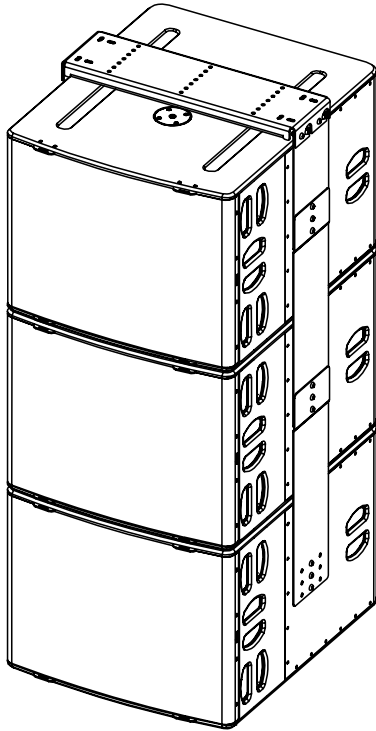
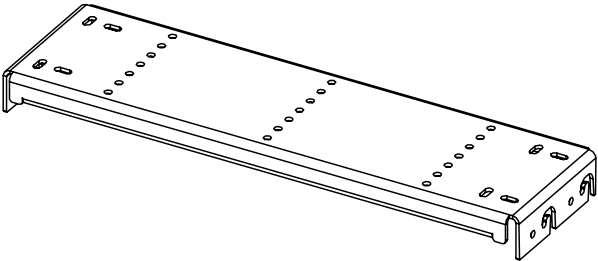
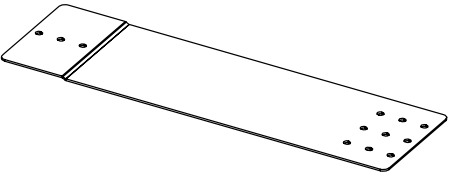
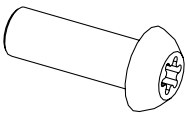
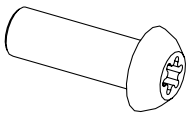
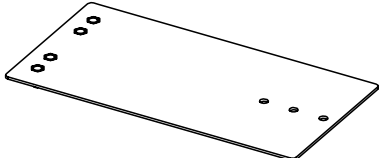


Up to 3x L20 Rigging System



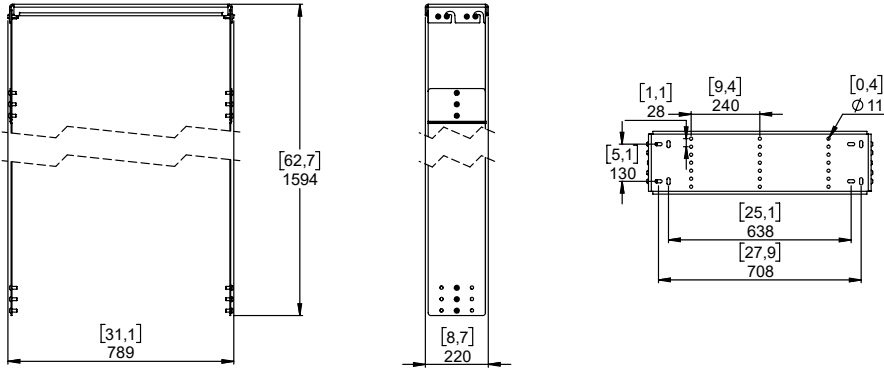
Contents:

 <p>X1 Ceiling Plate</p>		 <p>X4 L20 Plate</p>	
 <p>X8 M10x30 (a)</p>	 <p>X18 M10x18 (a)</p>	 <p>X2 Main Plate</p>	

(a): The type of the screws may differ from the representation

Weight: 28 kg / 62 lb

Dimensions:



For fixation, you have the choice between M8 and M10

WARNINGS

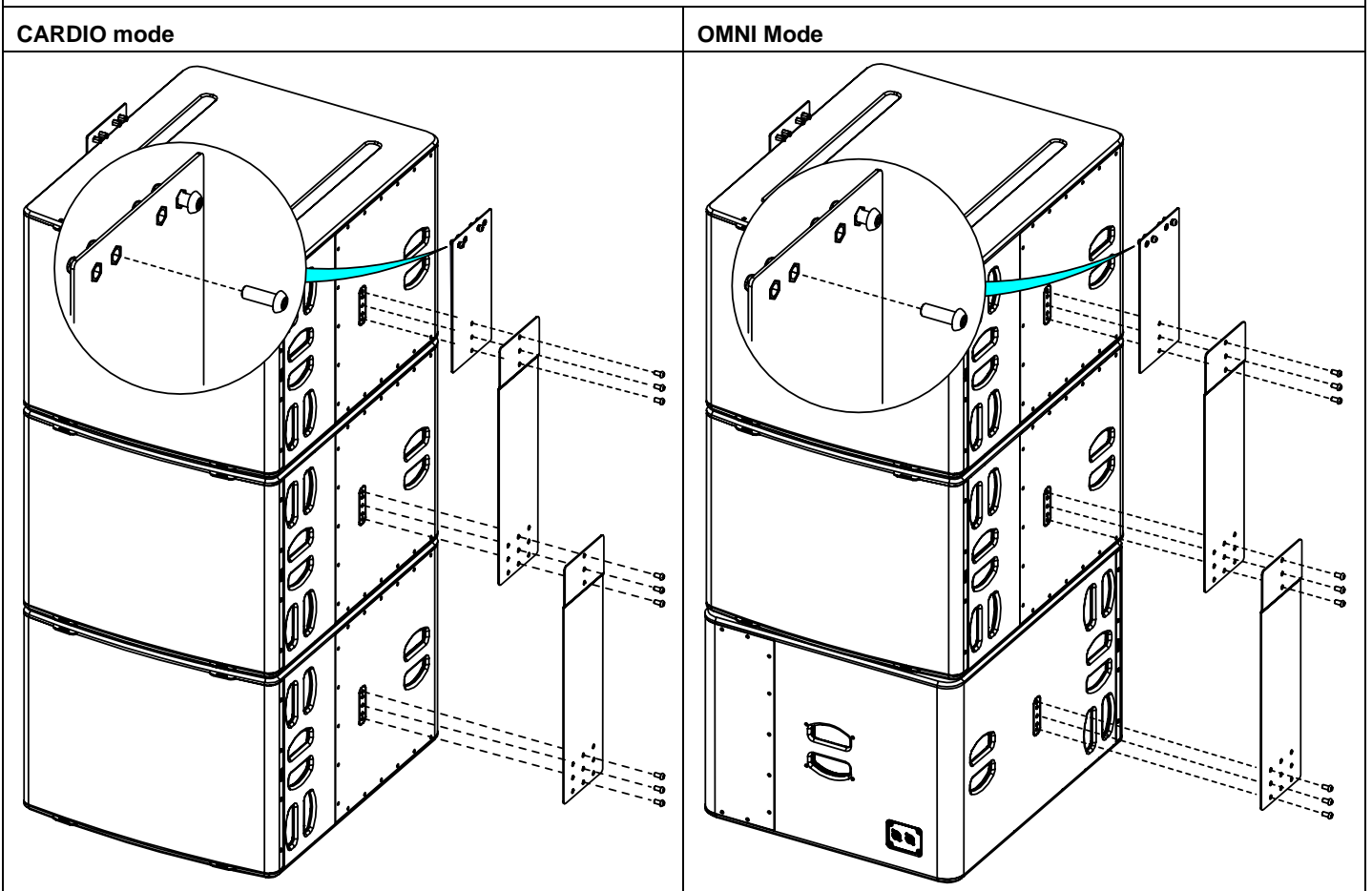
Ensure that the mounting location and fasteners can support at least 4 times the weight of all the installed cabinets, auxiliary equipment and cables.

Use only the provided screws (thread lock coated) and accessories.

Implementation of L20

Prepare the Main plates by screwing the M10x30 screws on the holes (see picture below), do not tighten completely and leave at least 6mm.

Assemble the L20 Plates on each side of L20 using the M10x18 screws.

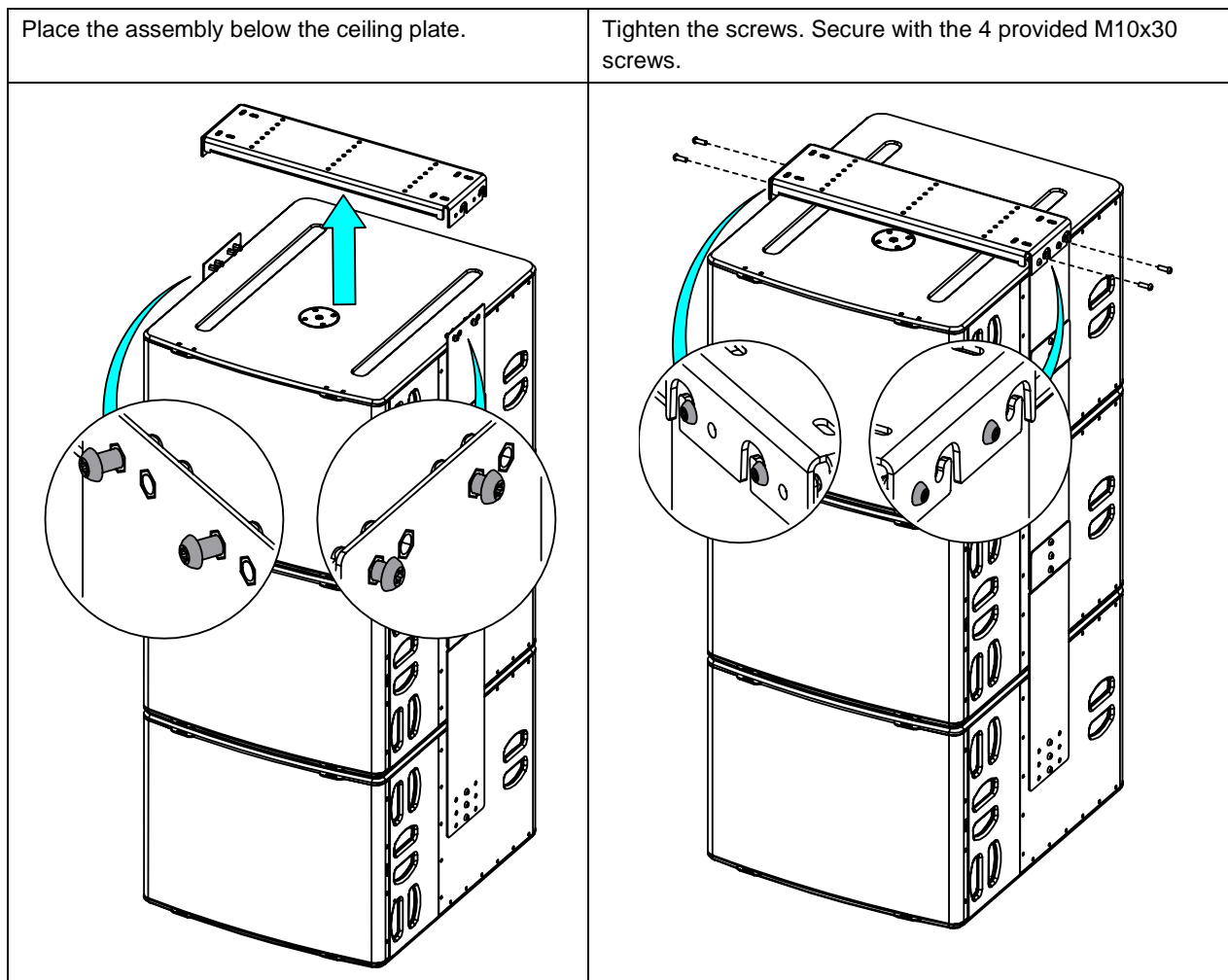


nexo-sa.com
 ZA du Pre de la Dame Jeanne
 60128 PLAILLY - France

- Read this document before using.
- Keep this document.
- Observe all warnings and cautions.



Assembly on the ceiling plate



LNI-3L20 frame tilt (+/- 1°)

	Holes 1	Holes 2	Holes 3	Holes 4	Holes 5	Holes 6	Holes 7
2x L20	11°	8°	4°	1°	-2°	-5°	-9°
3x L20	8°	6°	3°	0°	-1°	-4°	-8°

Note 1 : Holes 1 are those toward F.O.H.

Note 2 : All angles measurements have been done without cables weight.

Note 3 : Angles are in relation to Horizontal position (0°)

NEXO

nexo-sa.com

ZA du Pre de la Dame Jeanne
60128 PLAILLY - France

- Read this document before using.
- Keep this document.
- Observe all warnings and cautions.



- NEXO cannot accept responsibility for accidents caused by any factor other than defects in this product itself.
- Please check the web site nexo-sa.com for the latest update.

- Read this document before using.
- Keep this document.
- Observe all warnings and cautions.

