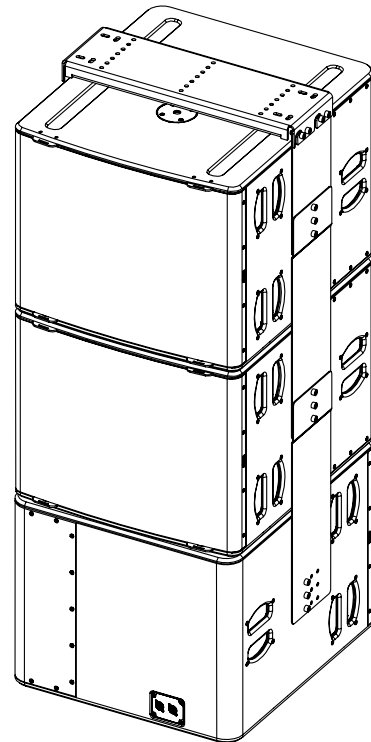
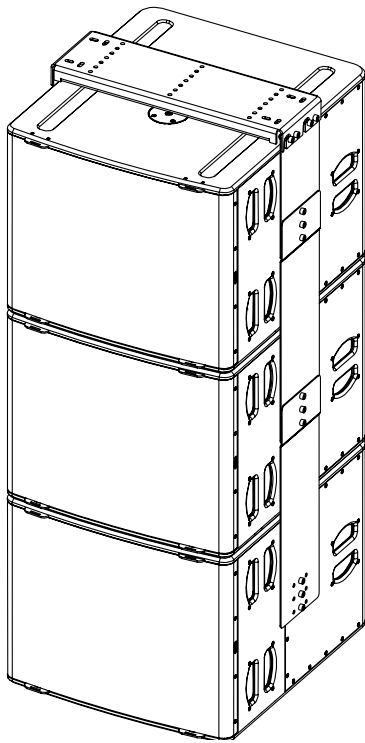
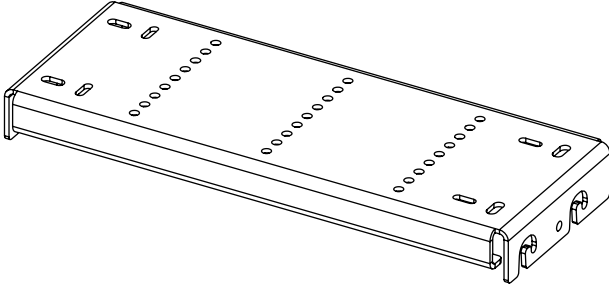
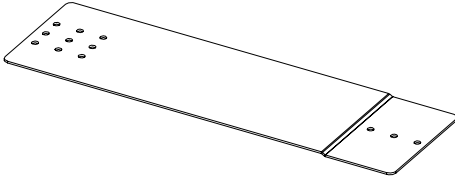
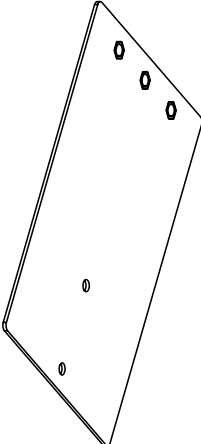
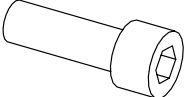
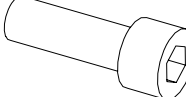


## Up to 3xL18 Rigging System



### Contents:

<b>X1 Ceiling Plate</b> 		<b>X4 L18 Plate</b> 	<b>X2 Main Plate</b> 
<b>X8 M10x30 (a)</b> 	<b>X18 M10x20 (a)</b> 		

(a): The type of screws may differ from the representation

Weight: 26.5 kg / 58.5 lb

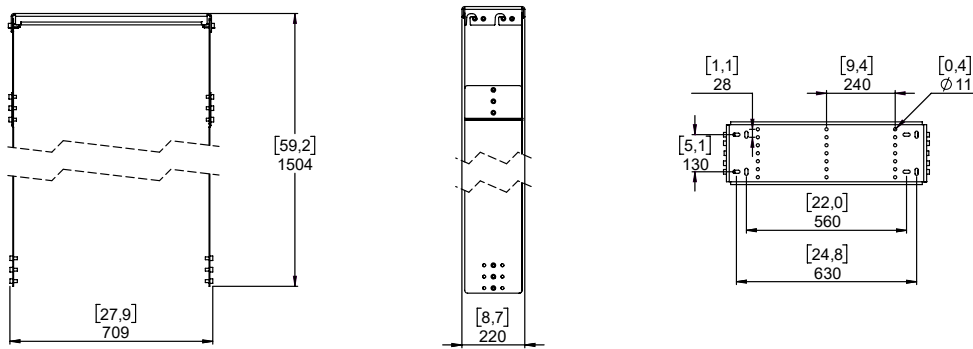


nexo-sa.com  
ZA du Pre de la Dame Jeanne  
60128 PLAILLY - France

- Read this document before using.
- Keep this document.
- Observe all warnings and cautions.



## Dimensions:



For fixation, you have the choice between M8 and M10

## WARNINGS

Ensure that the mounting location and fasteners can support at least 4 times the weight of all the installed cabinets, auxiliary equipment and cables.

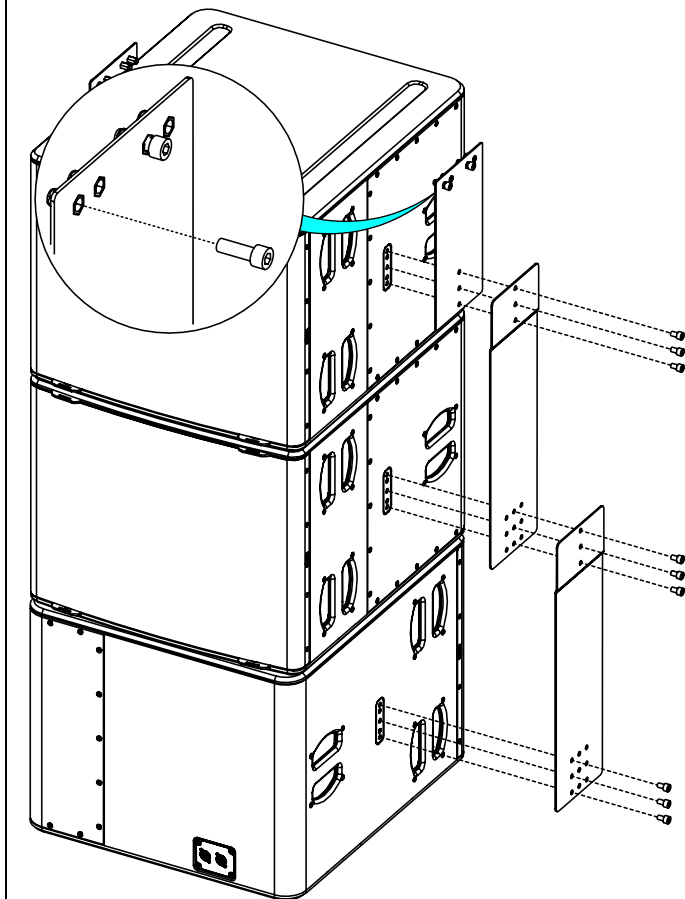
Use only the provided screws (thread lock coated) and accessories.

## Implementation of L18

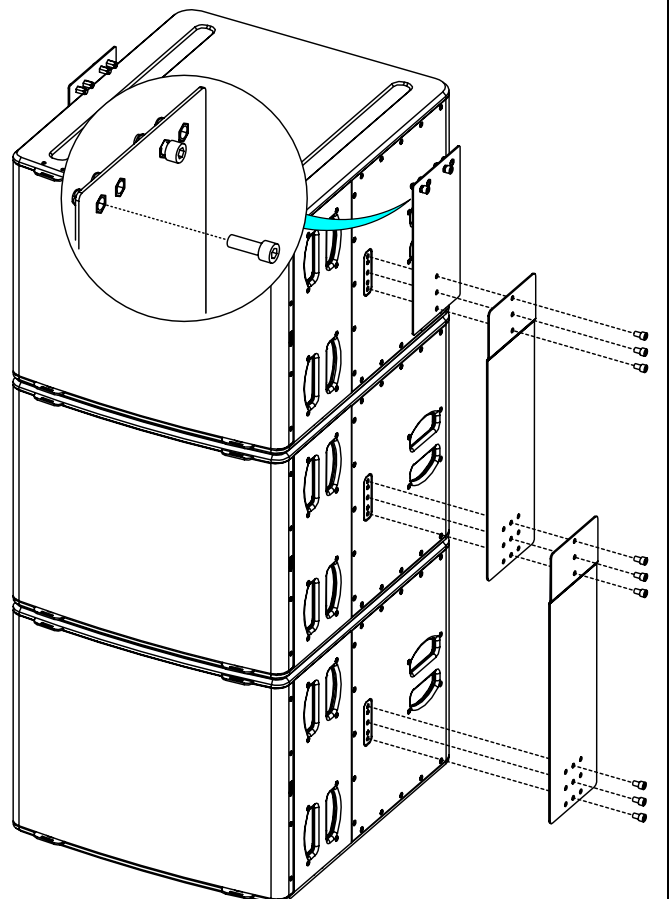
Prepare the Main plates by screwing the M10x30 screws on the holes (see picture below), do not tighten completely and leave at least 6mm.

Assemble the L18 Plates on each side of L18 using the M10x20 screws.

### CARDIO mode



### OMNI Mode



# NEXO

nexo-sa.com

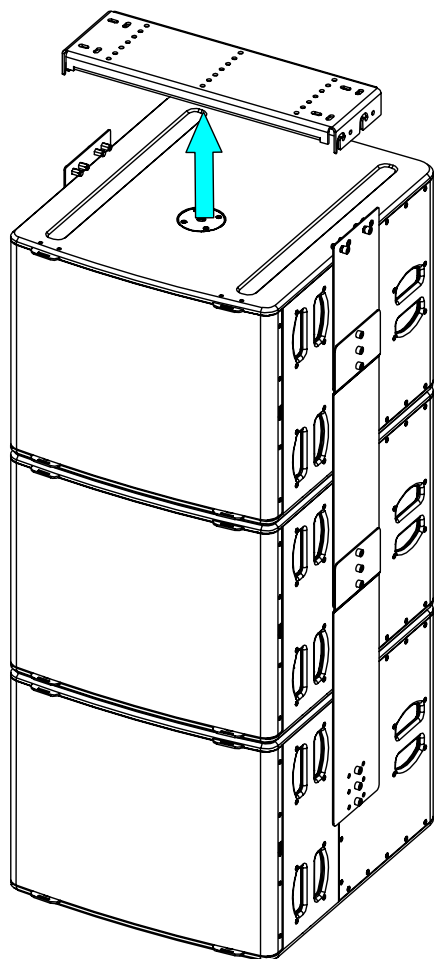
ZA du Pre de la Dame Jeanne  
60128 PLAILLY - France

- Read this document before using.
- Keep this document.
- Observe all warnings and cautions.

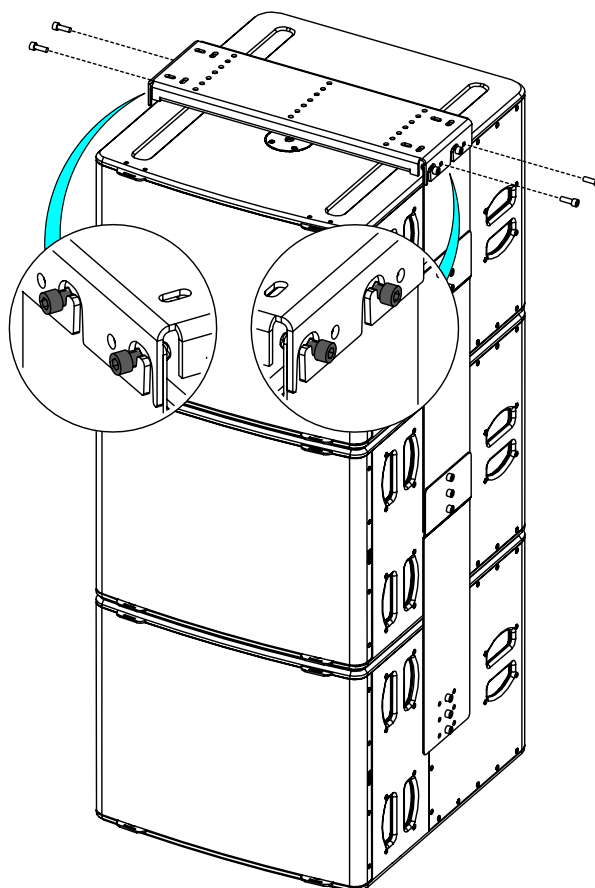


## Assembly on the ceiling plate

Place the assembly below the ceiling plate.



Tighten the screws. Secure with the 4 provided M10x30 screws.



# NEXO

nexo-sa.com

ZA du Pre de la Dame Jeanne  
60128 PLAILLY - France

- Read this document before using.
- Keep this document.
- Observe all warnings and cautions.



- NEXO cannot accept responsibility for accidents caused by any factor other than defects in this product itself.
- Please check the web site [nexo-sa.com](http://nexo-sa.com) for the latest update.

**NEXO**

[nexo-sa.com](http://nexo-sa.com)

ZA du Pre de la Dame Jeanne  
60128 PLAILLY - France

- Read this document before using.
- Keep this document.
- Observe all warnings and cautions.

