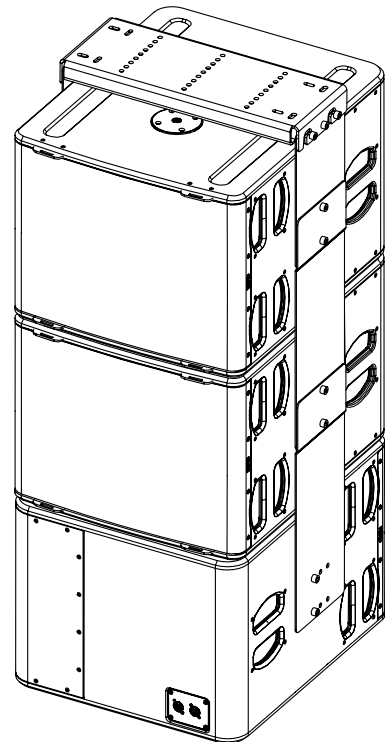
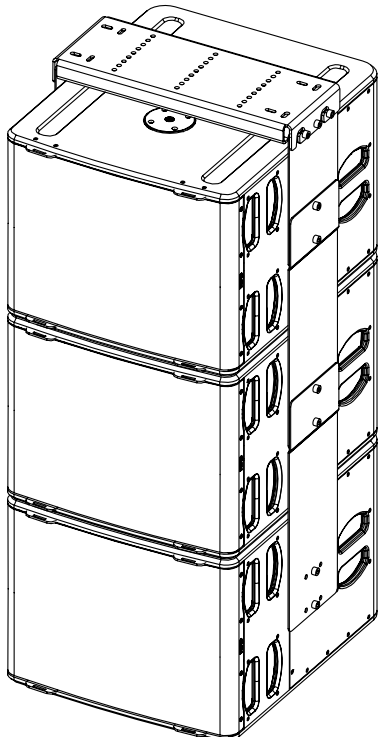
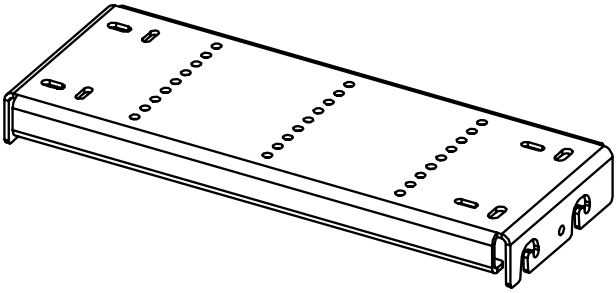


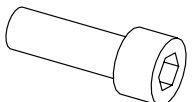
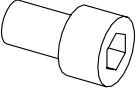


## Up to 3x L15 Rigging System



### Contents:

 <p>X1 Ceiling Plate</p>		 <p>X4 L15 Plate</p>	 <p>X2 Main Plate</p>
 <p>X6 M10x30 (a)</p>	 <p>X12 M10x18 (a)</p>		

(a): The type of the screws may differ from the representation

Weight: 22.5 kg / 49.5 lb

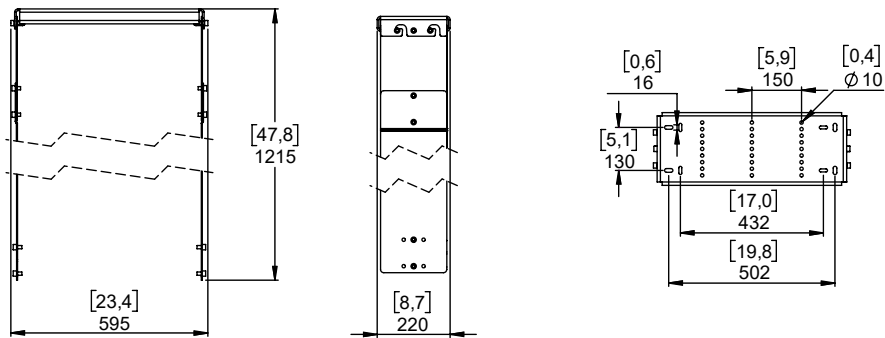


nexo-sa.com  
ZA du Pre de la Dame Jeanne  
60128 PLAILLY - France

- Read this document before using.
- Keep this document.
- Observe all warnings and cautions.



## Dimensions:



For fixation, you have the choice between M8 and M10 (Fasteners not included)

### WARNINGS

Ensure that the mounting location and fasteners can support at least 4 times the weight of all the installed cabinets, auxiliary equipment and cables.

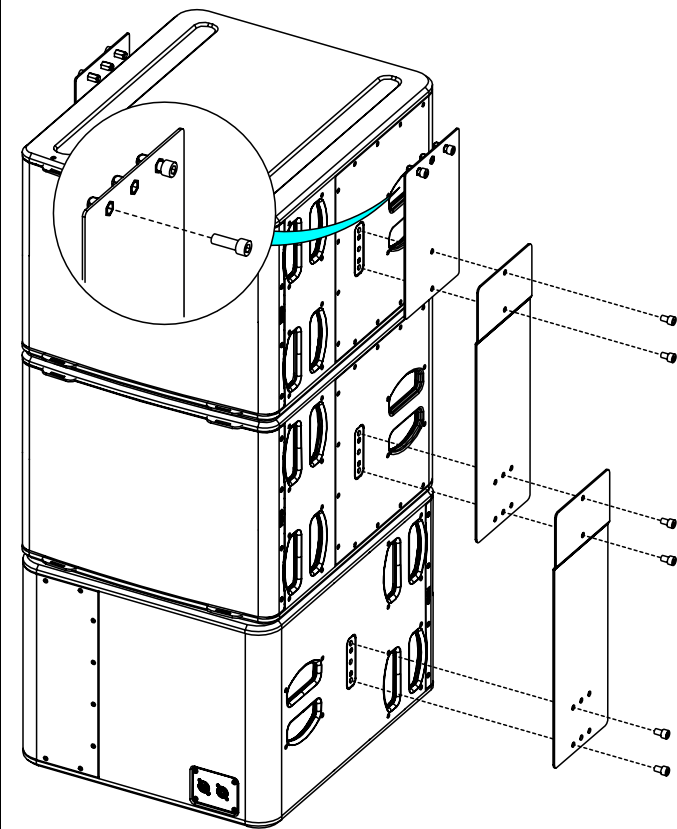
Use only the provided screws (thread lock coated) and accessories.

## Implementation of L15

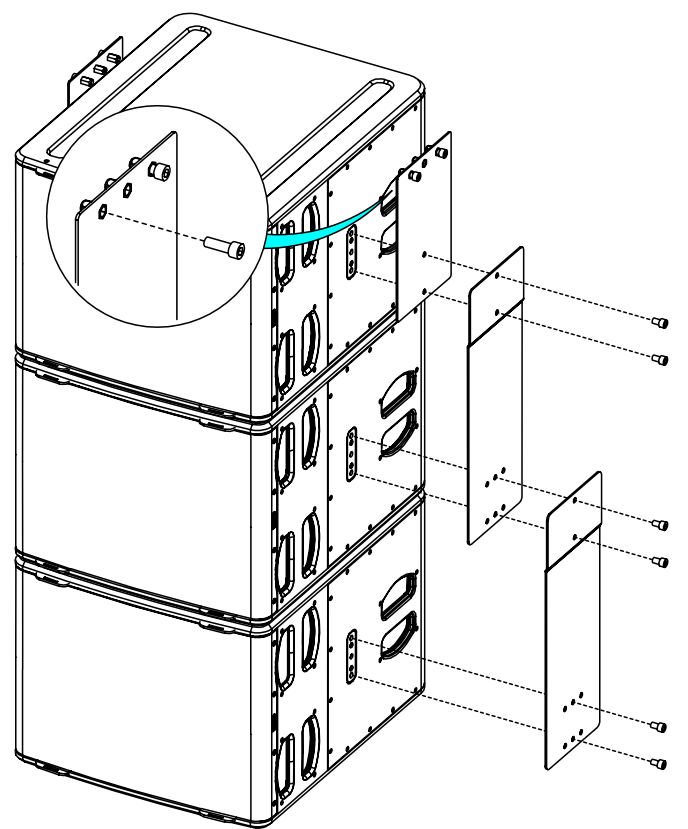
Prepare the Main plates by screwing the M10x30 screws on the holes (see picture below), do not tighten completely and leave at least 6mm.

Assemble the L15 Plates on each side of L15 using the M10x18 screws.

### CARDIO mode



### OMNI Mode



# NEXO

nexo-sa.com

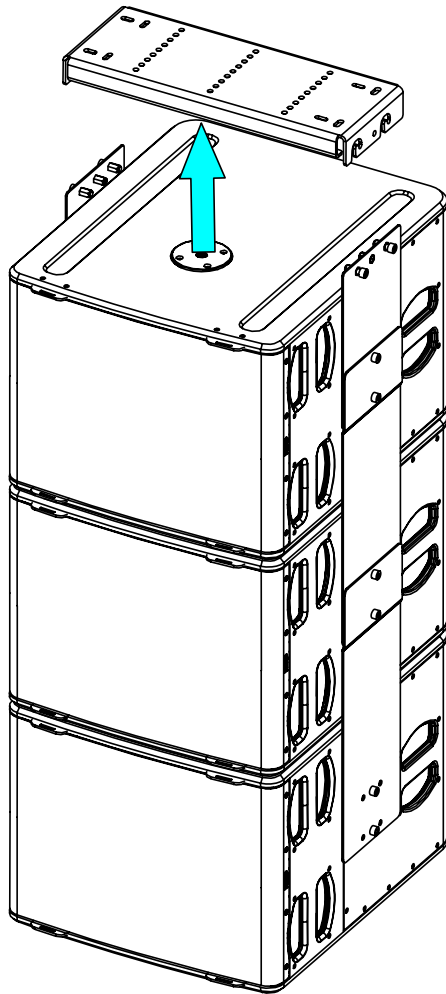
ZA du Pre de la Dame Jeanne  
60128 PLAILLY - France

- Read this document before using.
- Keep this document.
- Observe all warnings and cautions.

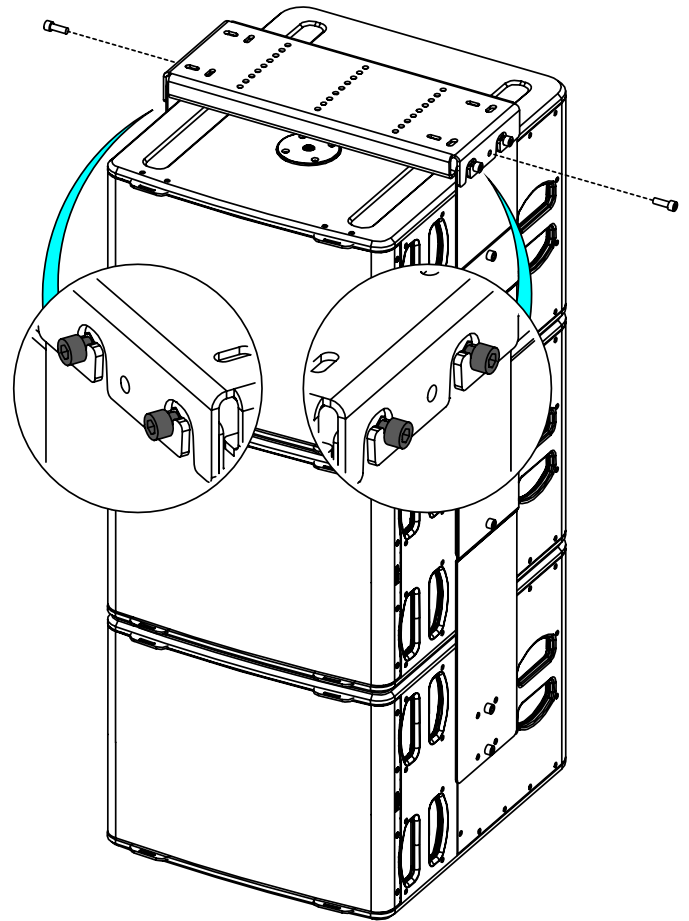


## Assembly on the ceiling plate

Place the assembly below the ceiling plate.



Tighten the screws. Secure with the 2 provided M10x30 screws.



### LNI-3L15 frame tilt (+/- 1°)

	Holes 1	Holes 2	Holes 3	Holes 4	Holes 5	Holes 6	Holes 7	Holes 8	Holes 9
2x L15	11°	9°	5.5°	3°	0°	-2°	-4.5°	-7°	-10°
3x L15	8.5°	7°	4.5°	3°	1°	-2.5°	-3.5°	-6°	-7°

Note 1 : Holes 1 are those toward F.O.H.

Note 2 : All angles measurements have been done without cables weight.

Note 3 : Angles are in relation to Horizontal position ( 0° )

# NEXO

nexo-sa.com

ZA du Pre de la Dame Jeanne  
60128 PLAILLY - France

- Read this document before using.
- Keep this document.
- Observe all warnings and cautions.



- NEXO cannot accept responsibility for accidents caused by any factor other than defects in this product itself.
- Please check the web site [nexo-sa.com](http://nexo-sa.com) for the latest update.

**NEXO**

[nexo-sa.com](http://nexo-sa.com)

ZA du Pre de la Dame Jeanne  
60128 PLAILLY - France

- Read this document before using.
- Keep this document.
- Observe all warnings and cautions.

