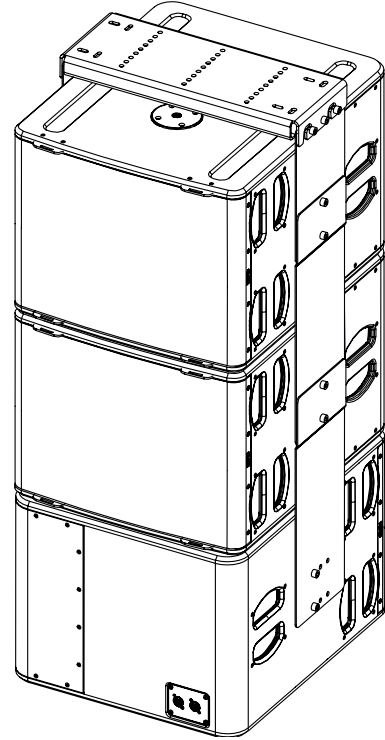
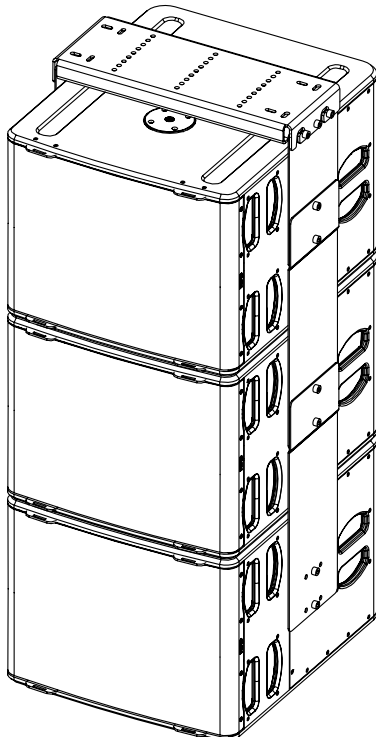
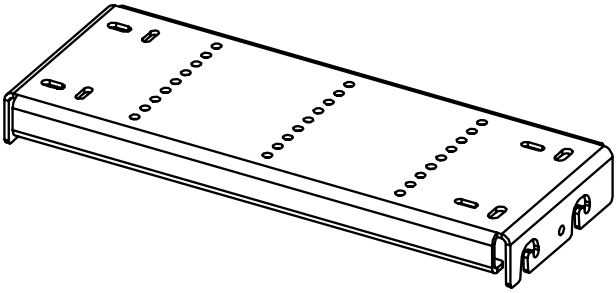


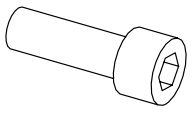
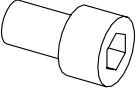


Up to 3xL15 Rigging System



Contents:

X1 Ceiling Plate 		X4 L15 Plate 	X2 Main Plate 
X6 M10x30 (a) 	X12 M10x20 (a) 		

(a): The type of the screws may differ from the representation

Weight: 22.5 kg / 49.5 lb

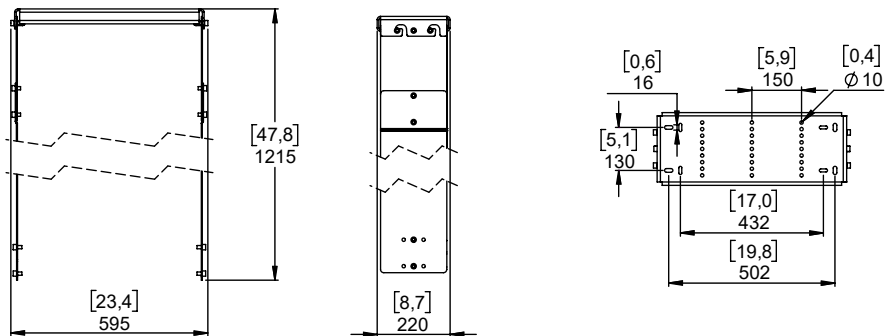


nexo-sa.com
ZA du Pre de la Dame Jeanne
60128 PLAILLY - France

- Read this document before using.
- Keep this document.
- Observe all warnings and cautions.



Dimensions:



For fixation, you have the choice between M8 and M10 (Fasteners not included)

WARNINGS

Ensure that the mounting location and fasteners can support at least 4 times the weight of all the installed cabinets, auxiliary equipment and cables.

Use only the provided screws (thread lock coated) and accessories.

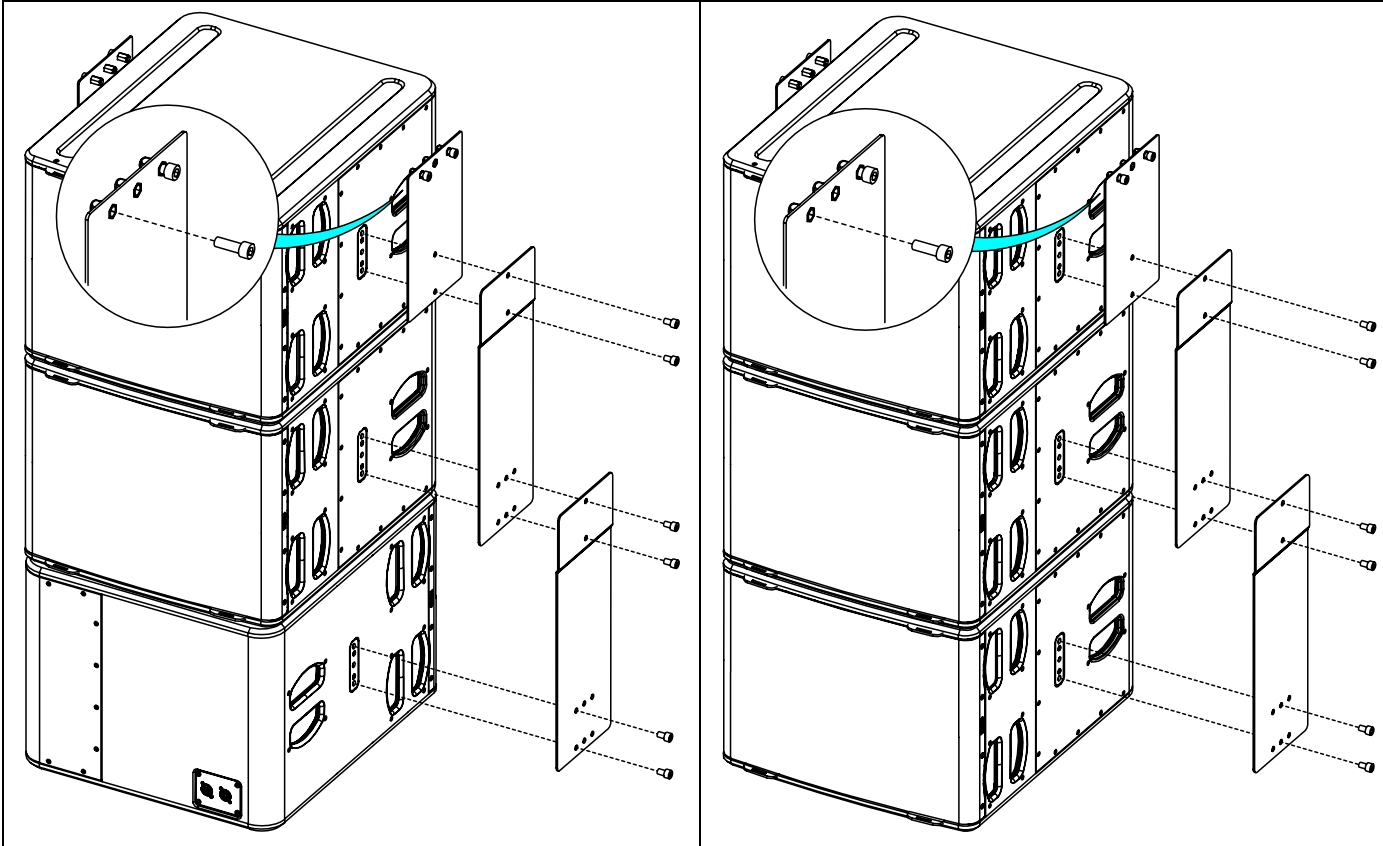
Implementation of L15

Prepare the Main plates by screwing the M10x30 screws on the holes (see picture below), do not tighten completely and leave at least 6mm.

Assemble the L15 Plates on each side of L15 using the M10x16 screws.

CARDIO mode

OMNI Mode



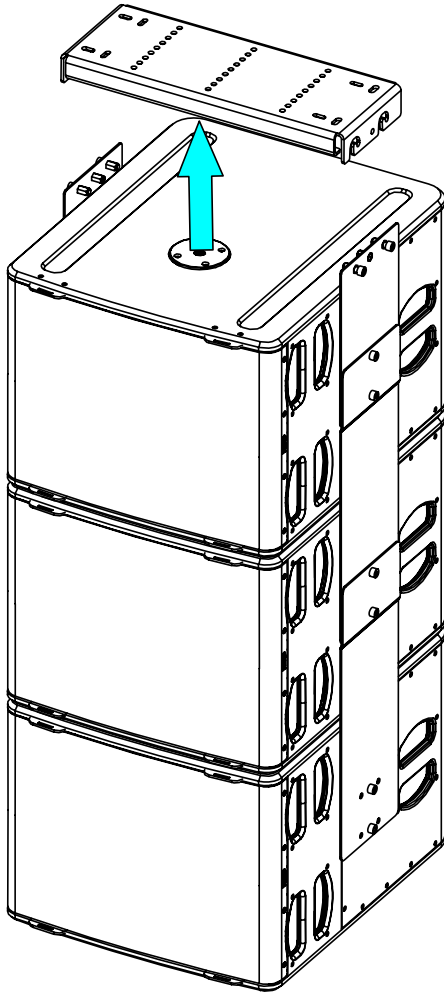
nexo-sa.com
 ZA du Pre de la Dame Jeanne
 60128 PLAILLY - France

- Read this document before using.
- Keep this document.
- Observe all warnings and cautions.

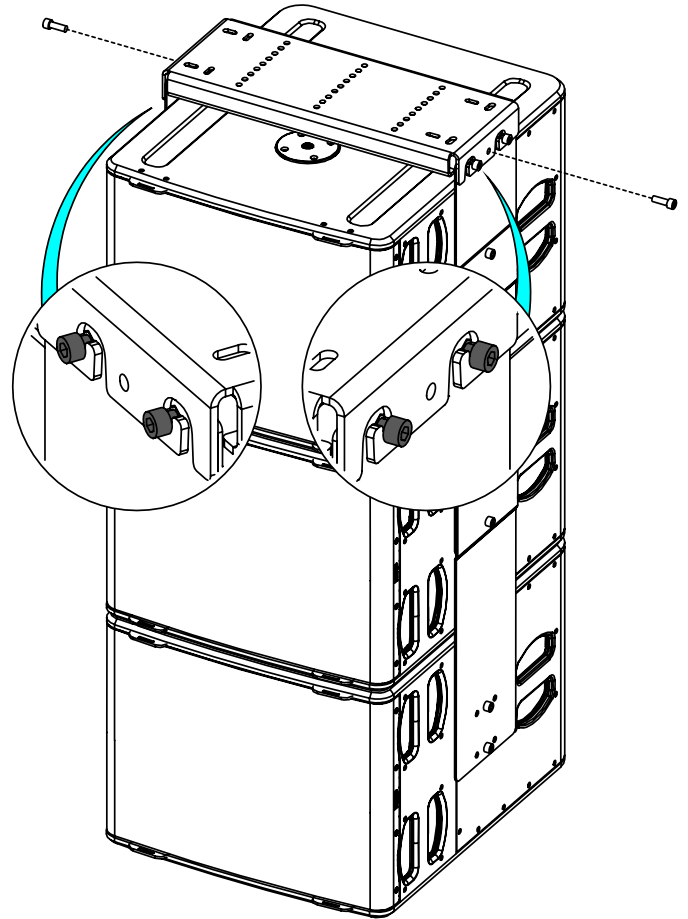


Assembly on the ceiling plate

Place the assembly below the ceiling plate.



Tighten the screws. Secure with the 2 provided M10x30 screws.



LNI-3L15 frame tilt (+/- 1°)

	Holes 1	Holes 2	Holes 3	Holes 4	Holes 5	Holes 6	Holes 7	Holes 8	Holes 9
2x L15	11°	9°	5.5°	3°	0°	-2°	-4.5°	-7°	-10°
3x L15	8.5°	7°	4.5°	3°	1°	-2.5°	-3.5°	-6°	-7°

Note 1 : Holes 1 are those toward F.O.H.

Note 2 : All angles measurements have been done without cables weight.

Note 3 : Angles are in relation to Horizontal position (0°)

NEXO

nexo-sa.com
ZA du Pre de la Dame Jeanne
60128 PLAILLY - France

- Read this document before using.
- Keep this document.
- Observe all warnings and cautions.



- NEXO cannot accept responsibility for accidents caused by any factor other than defects in this product itself.
- Please check the web site nexo-sa.com for the latest update.

NEXO

nexo-sa.com

ZA du Pre de la Dame Jeanne
60128 PLAILLY - France

- Read this document before using.
- Keep this document.
- Observe all warnings and cautions.

