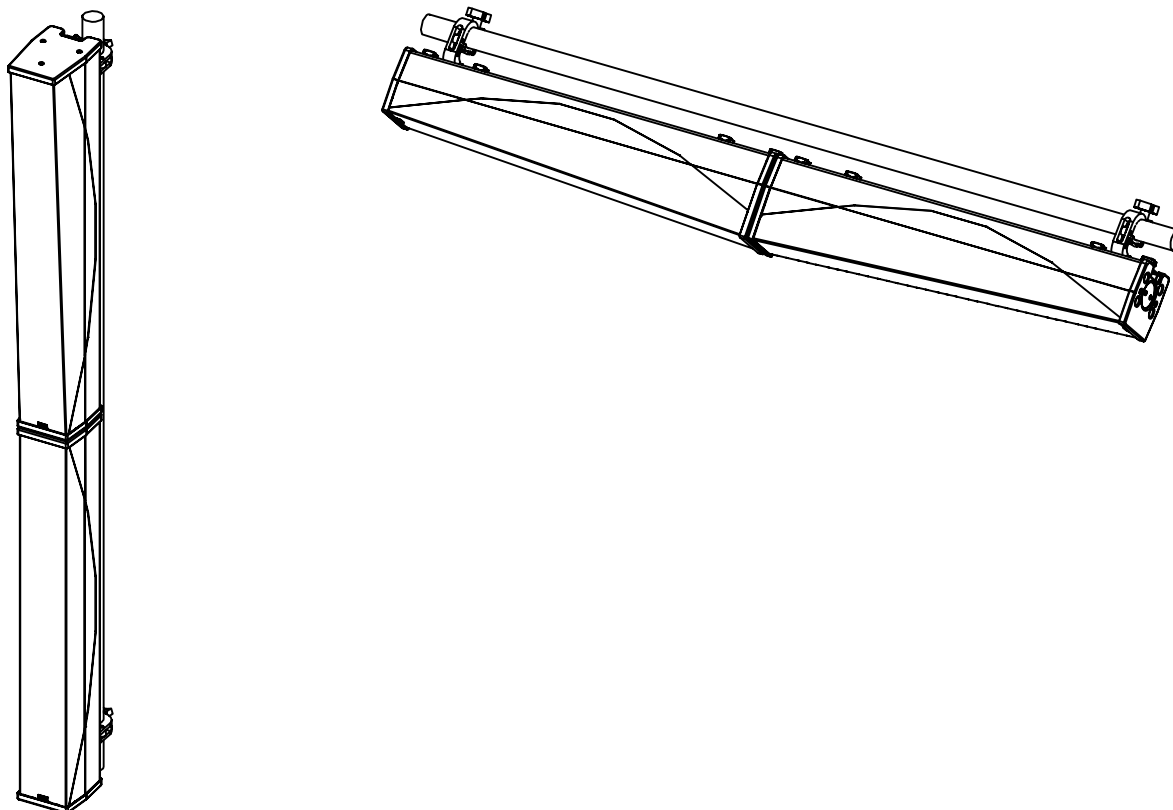


Truss-clamp bracket for ID84/ID84L

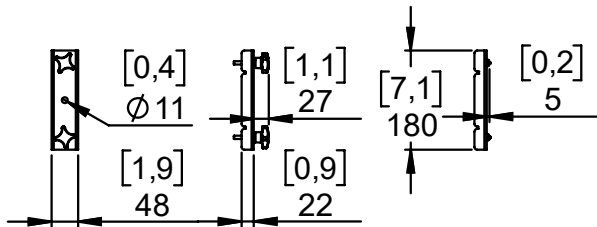


Contents:

<p>X1</p>	<p>X2 KNOBM6-A4394</p>	<p>X2 VRA6 - M6</p>	<p>X2 VXTCBX635 (M6x35)</p>	<p>X2 VRP5.3-10</p>
------------------	-----------------------------------	--------------------------------	--	--------------------------------

Weight: 0.4 kg / 0.9 lb

Dimensions:



Security

1x TCBRK84 for a maximum of:

1xID84L + 1xID84 or 2xID84

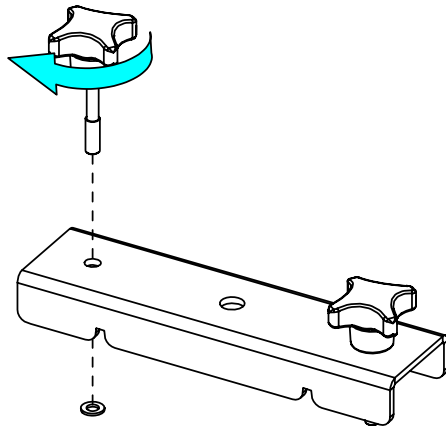
2x TCBRK84 for a maximum of:

2x ID84L + 2xID84

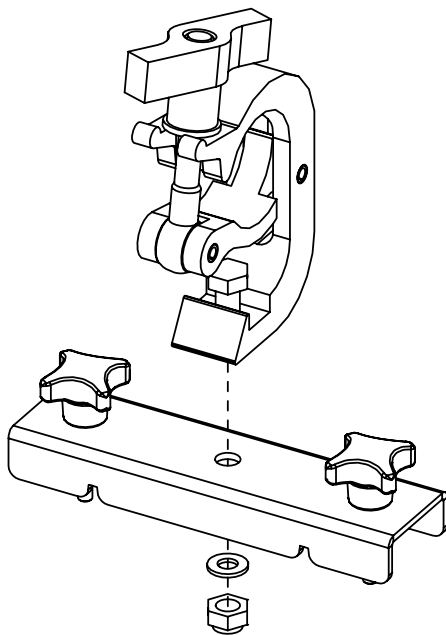
WARNING: Add a hook on each IDU-COUPPL used

Use:

For Touring use, place the knob through the part and screw the washer.



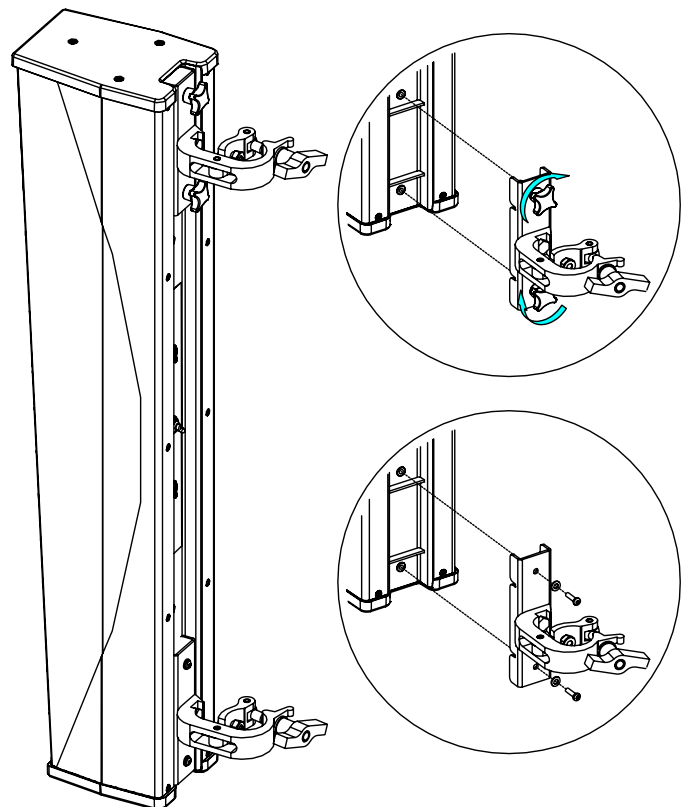
Mounting of a hook on the accessory (fasteners not provided).
For 10mm (0.4 inch) diameter fasteners.



Place the accessory on the cabinet.

For permanent installation, use the provided thread lock coated screws.

Tight properly.



- NEXO cannot accept responsibility for accidents caused by any factor other than defects in this product itself.
- Please check the web site nexo-sa.com for the latest update.

NEXO

nexo-sa.com

ZA du Pre de la Dame Jeanne
60128 PLAILLY - France

- Read this document before using.
- Keep this document.
- Observe all warnings and cautions.

