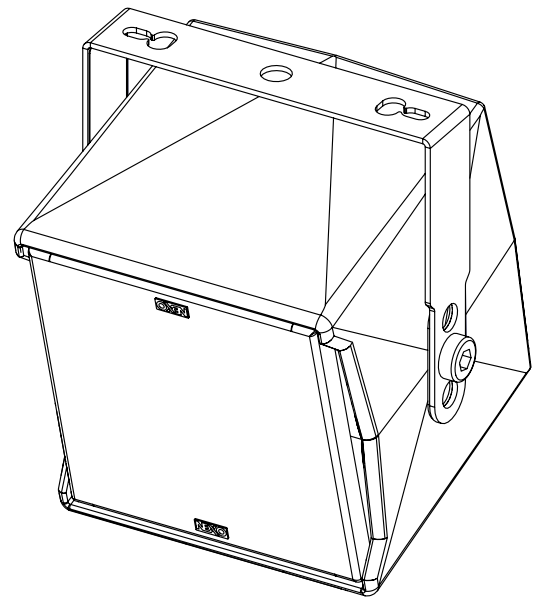
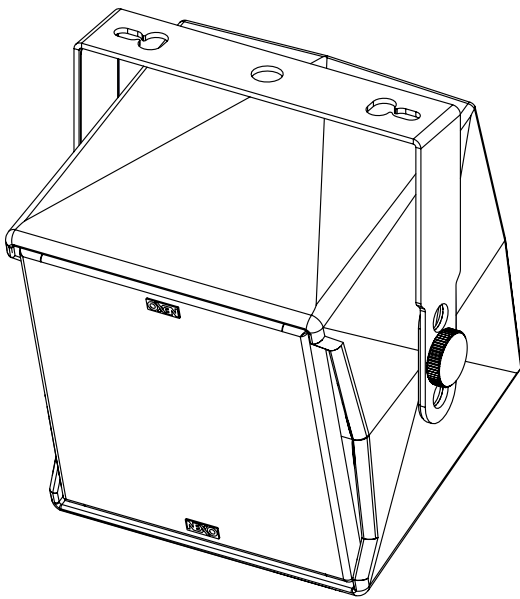
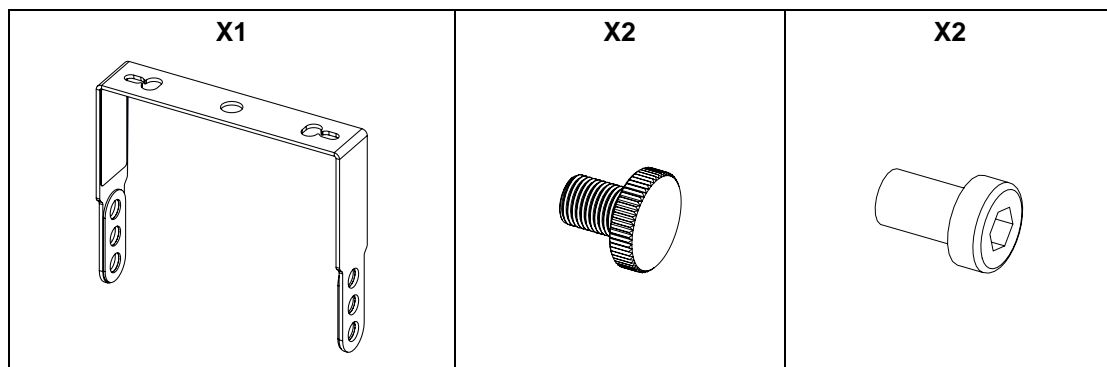


## Bracket for ID14



### Contents:



Weight: 0.2 kg / 0.45 lb

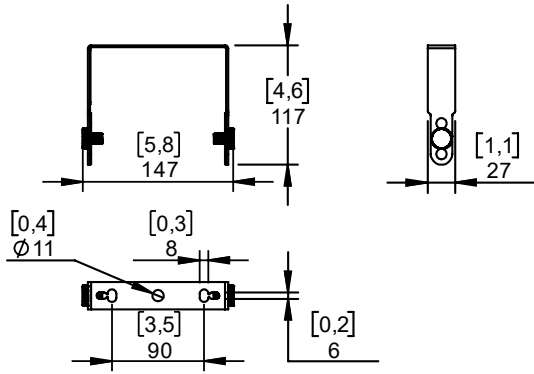


nexo-sa.com  
ZA du Pre de la Dame Jeanne  
60128 PLAILLY - France

- Read this document before using.
- Keep this document.
- Observe all warnings and cautions.



## Dimensions:



## Safety

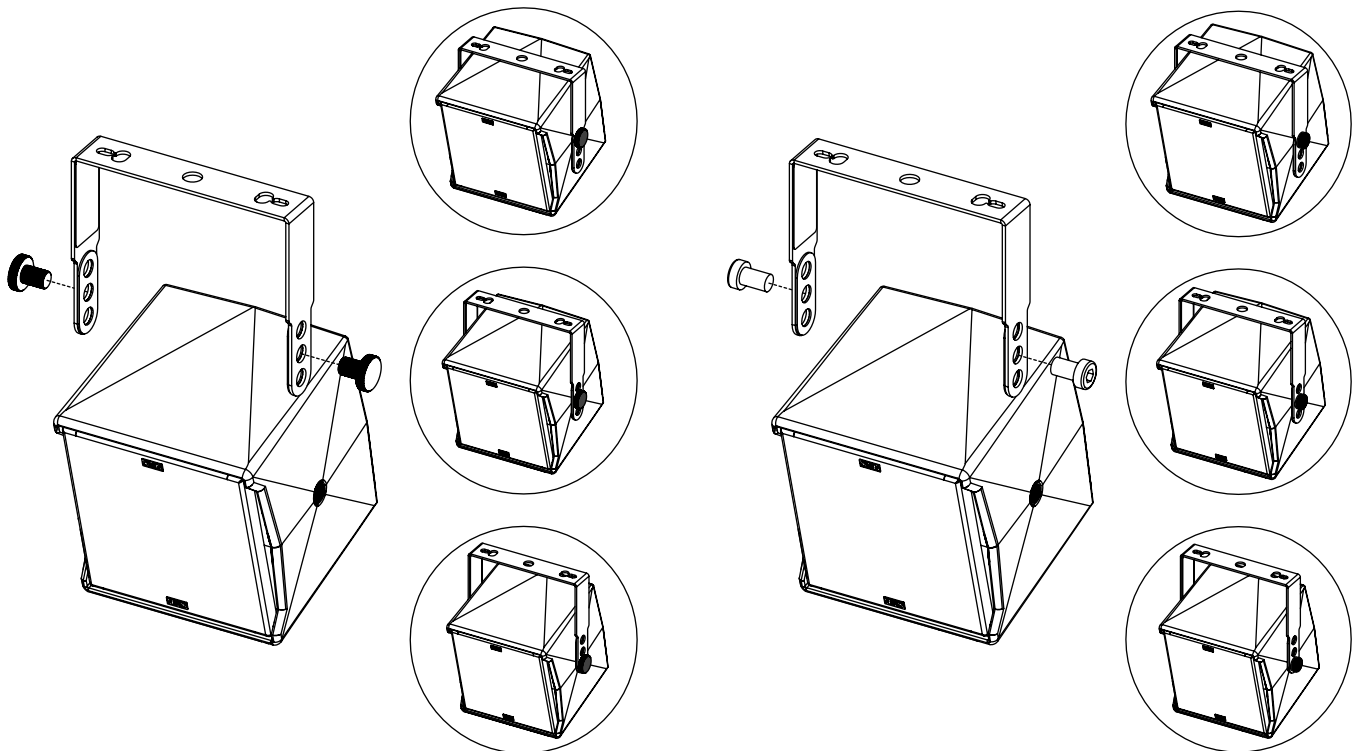
For permanent installation, use the provided thread lock coated screws.

Please, select screws and mounting location supporting 4 times the system weight.

## Use:

Place HBRK14 on ID14, 3 positions available.

Use only fasteners provided. Tight properly



- NEXO cannot accept responsibility for accidents caused by any factor other than defects in this product itself.
- Please check the web site [nexo-sa.com](http://nexo-sa.com) for the latest update.

# NEXO

nexo-sa.com  
ZA du Pre de la Dame Jeanne  
60128 PLAILLY - France

- Read this document before using.
- Keep this document.
- Observe all warnings and cautions.

