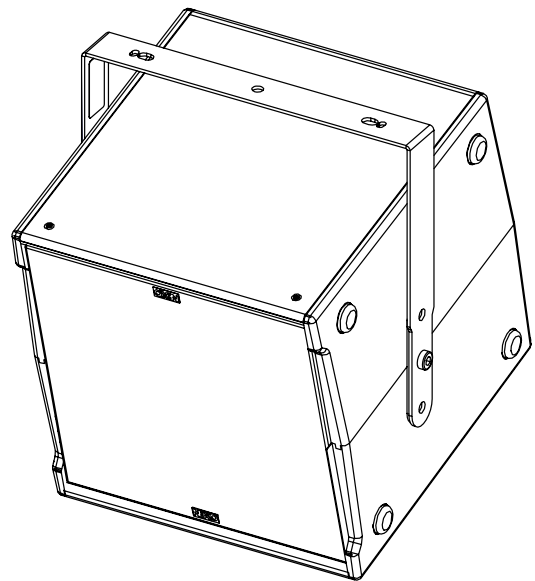
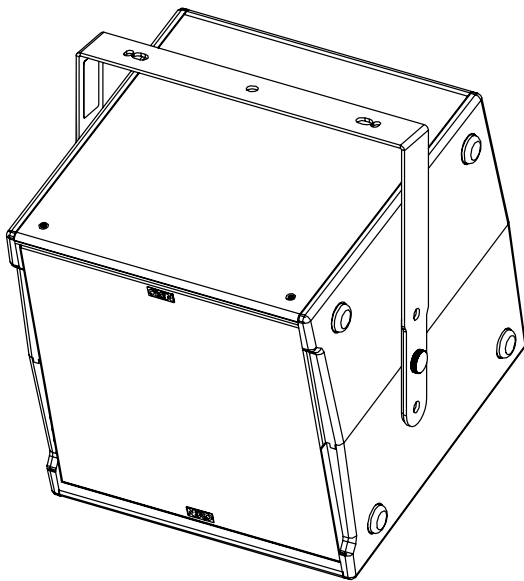
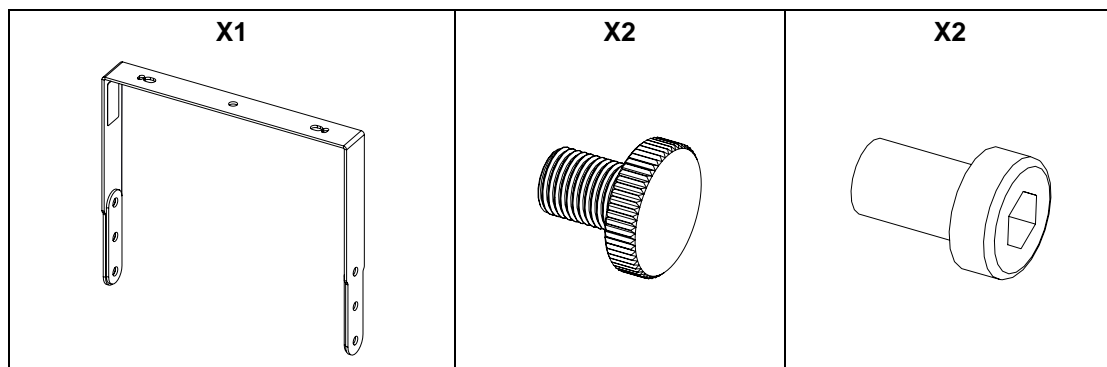


Bracket for IDS108

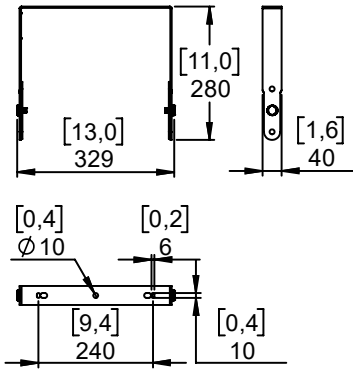


Contents:



Weight: 1.2 kg / 2.7 lb

Dimensions:



Safety

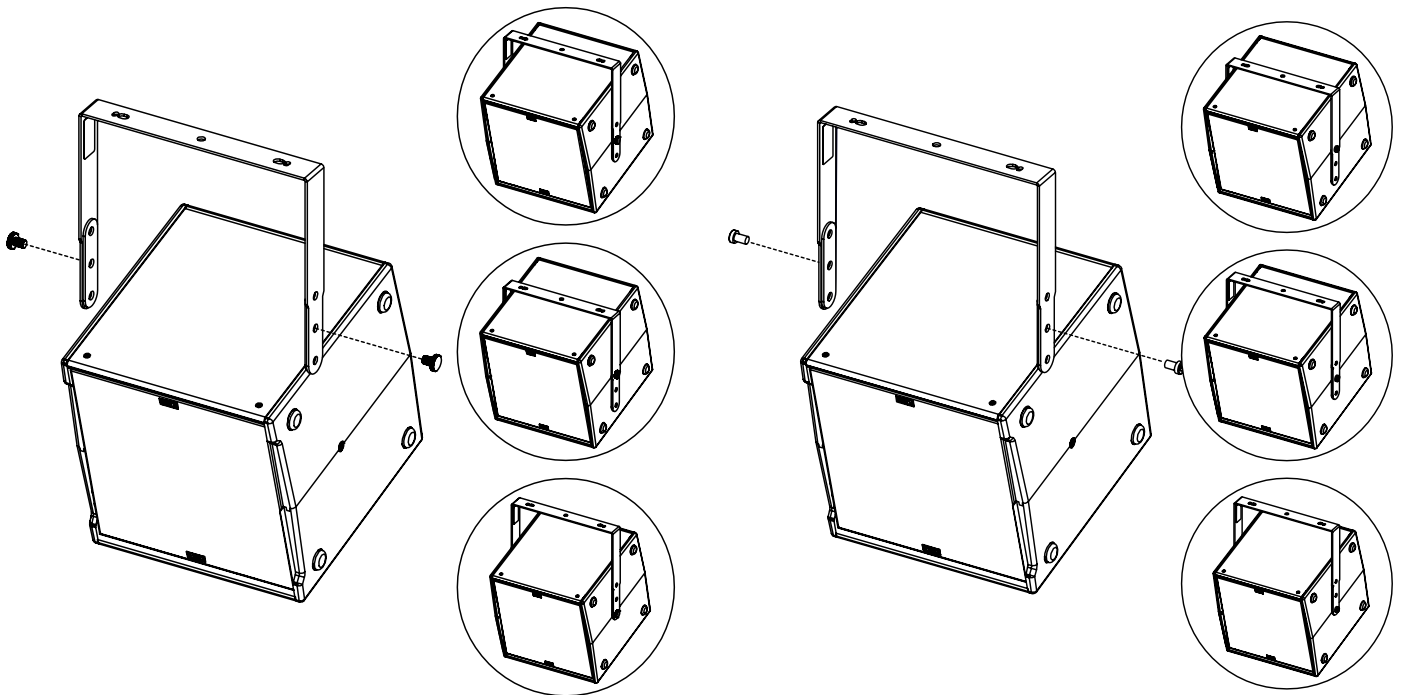
For permanent installation, use the provided thread lock coated screws.

Please, select screws and mounting location supporting 4 times the system weight.

Use:

Place HBRK108 on IDS108, 3 positions available.

Use only fasteners provided. Tight properly



- NEXO cannot accept responsibility for accidents caused by any factor other than defects in this product itself.
- Please check the web site nexo-sa.com for the latest update.

NEXO

nexo-sa.com
ZA du Pre de la Dame Jeanne
60128 PLAILLY - France

- Read this document before using.
- Keep this document.
- Observe all warnings and cautions.

