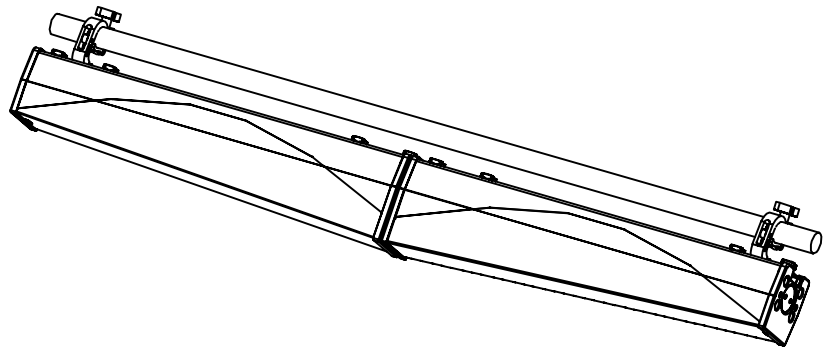
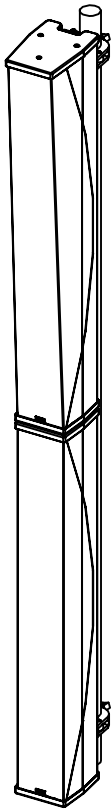
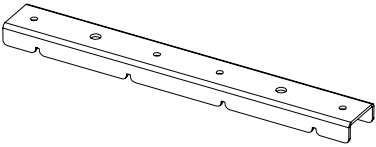
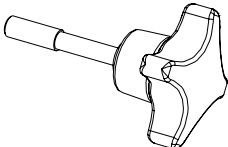

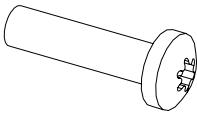



Coupling Bar for ID84 / ID84L



Contents:

<p>X1</p> 	<p>X4</p> 	<p>X4 M6</p> 	<p>X4 M6x35</p> 	<p>X4 M6</p> 
---	---	--	---	--

Weight: 0.9 kg / 2 lb

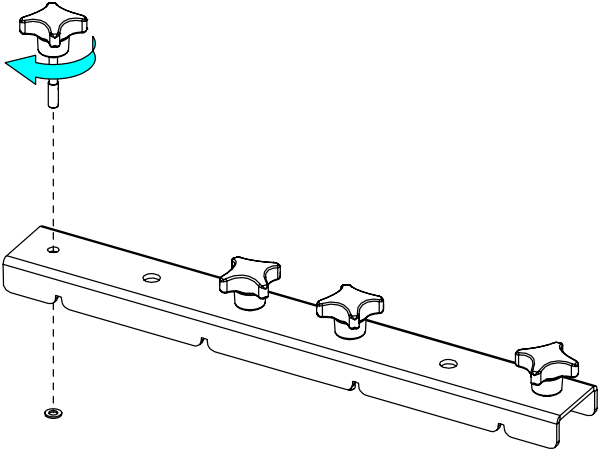
Dimensions:

	<p>Rated for a maximum of 2x ID84L + 2x ID84 WARNING: In hanging use, add an attachment point on each IDU-COUPL.</p> <hr/> <p>Use only fasteners provided (thread lock coated screws for permanent installation).</p>
--	--

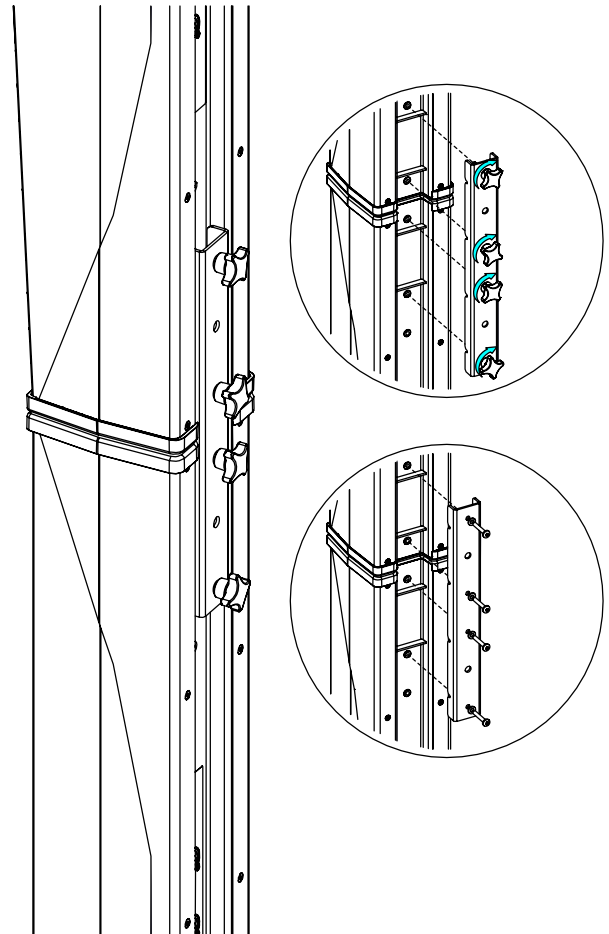
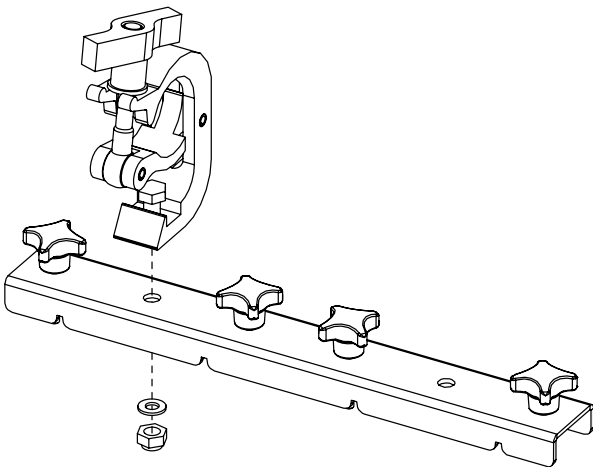
Use:

For Touring use, place the knob through the part and screw the washer on it.

Tight properly.



Mounting of a hook on the accessory (fasteners not provided).
 For 10mm (0.4 inch) diameter fasteners.



- NEXO cannot accept responsibility for accidents caused by any factor other than defects in this product itself.
- Please check the web site nexo-sa.com for the latest update.

