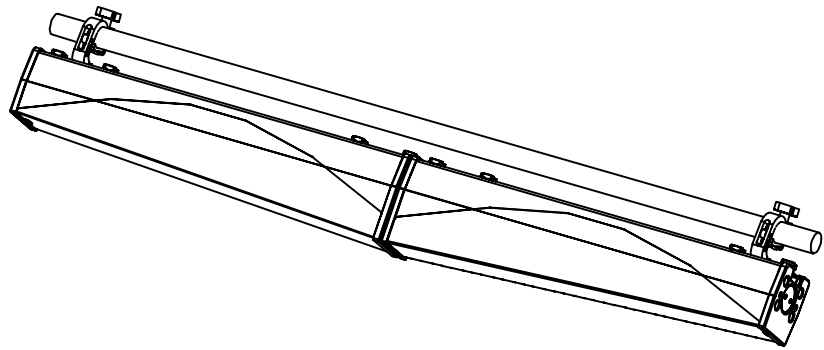
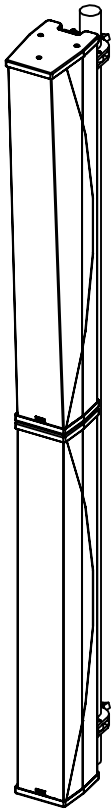
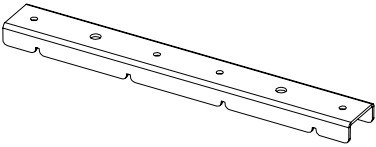
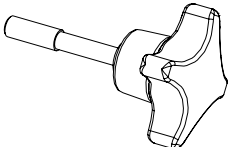

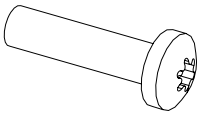



Coupling Bar for ID84 / ID84L

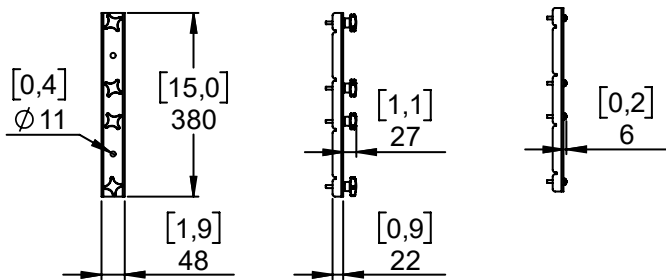


Contents:

X1 	X4 	X4 M6 	X4 M6x35 	X4 M6 
--	--	--	---	--

Weight: 0.9 kg / 2 lb

Dimensions:



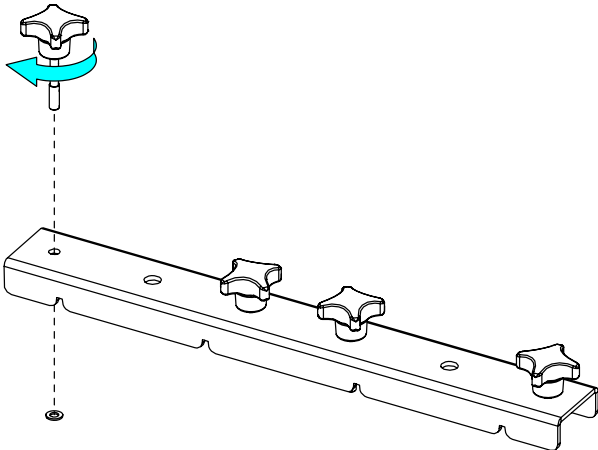
Rated for a maximum of 2x ID84L + 2x ID84

Use only fasteners provided (thread lock coated screws for permanent installation).

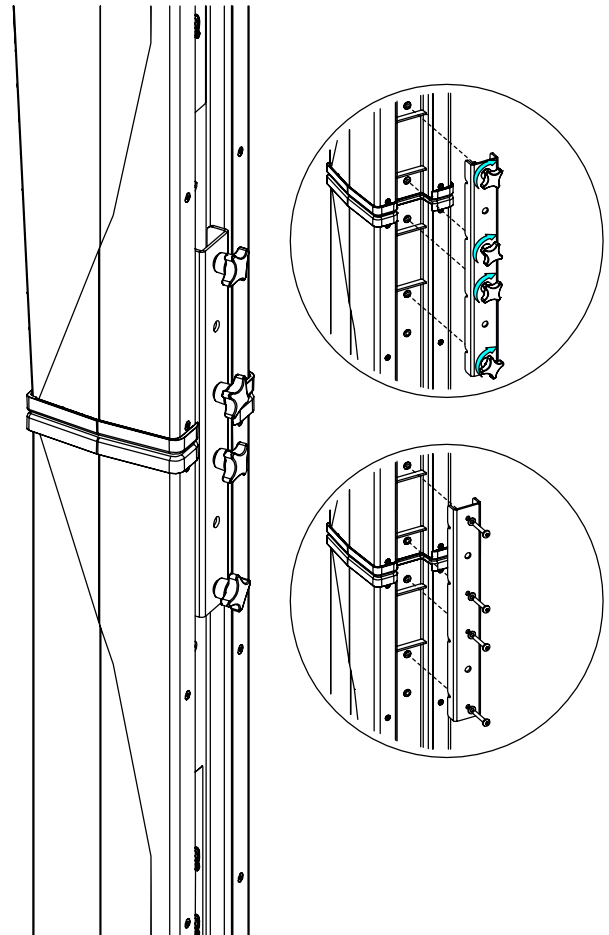
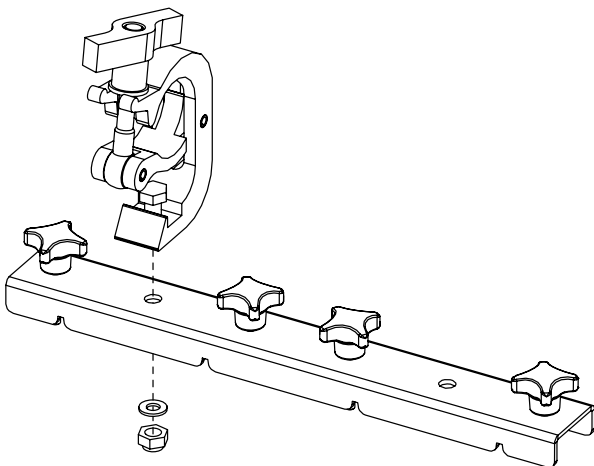
Use:

For Touring use, place the knob through the part and screw the washer on it.

Tight properly.



Mounting of a hook on the accessory (fasteners not provided).
For 10mm (0.4 inch) diameter fasteners.



- NEXO cannot accept responsibility for accidents caused by any factor other than defects in this product itself.
- Please check the web site nexo-sa.com for the latest update.

NEXO

nexo-sa.com

ZA du Pre de la Dame Jeanne
60128 PLAILLY - France

- Read this document before using.
- Keep this document.
- Observe all warnings and cautions.

