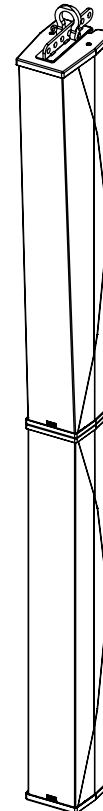
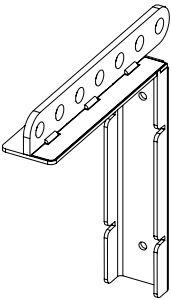
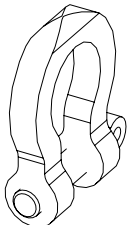
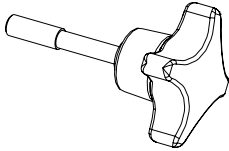

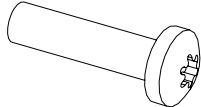



Lifting Bracket for ID84 / ID84L



With IDU-COUPL

Contents:

X1 	X1 Shackle 1 Ton <i>MANI1.00T</i> 	X2 <i>KNOBM6-A4394</i> 	X2 <i>VR6B (M6)</i> 	X2 <i>VXTCBX635 (M6x35)</i> 	X2 <i>VRP5.3-10N (M6)</i> 
--	---	---	---	--	--

Weight: 1.2 kg / 2.7 lb

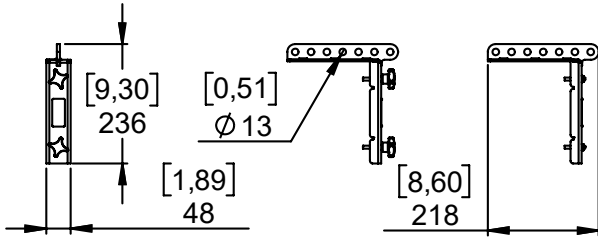


nexo-sa.com
ZA du Pre de la Dame Jeanne
60128 PLAILLY - France

- Read this document before using.
- Keep this document.
- Observe all warnings and cautions.



Dimensions:



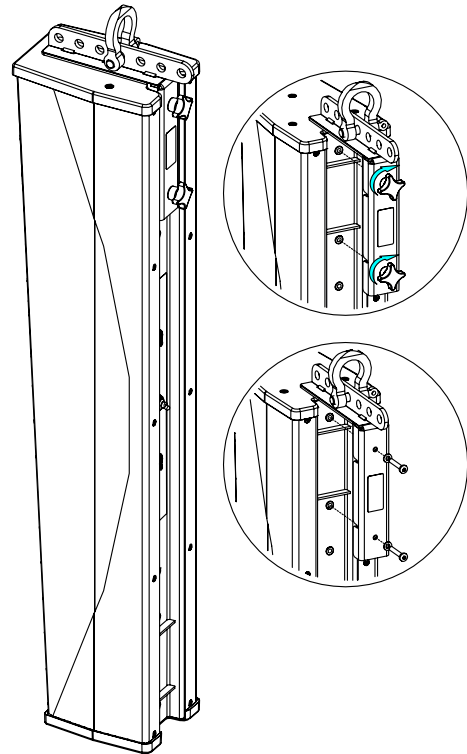
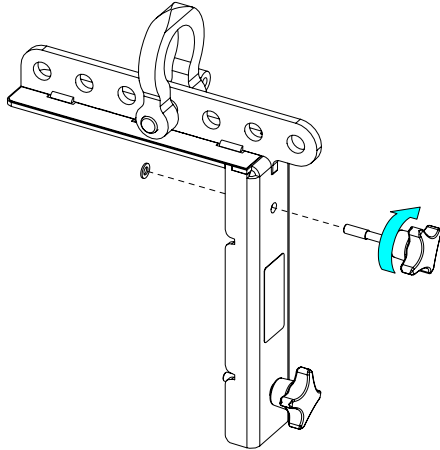
Rated for a maximum of 2x ID84L + 2x ID84

For permanent installation, use the provided thread lock coated screws.

Use:

For Touring use, place the knob through the part and screw the washer on it.

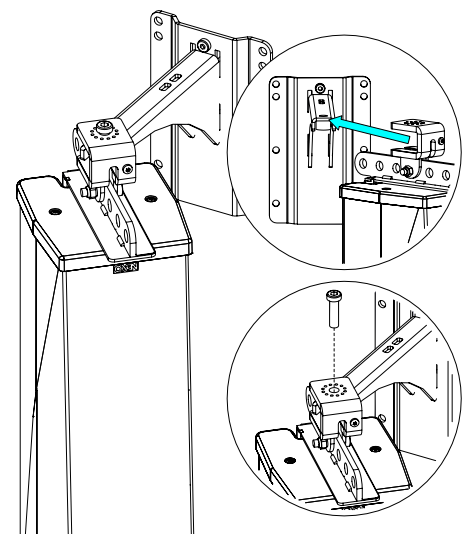
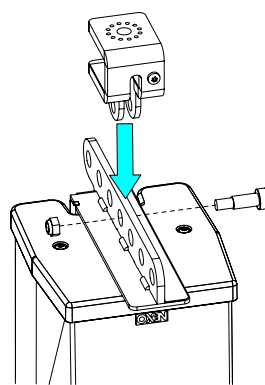
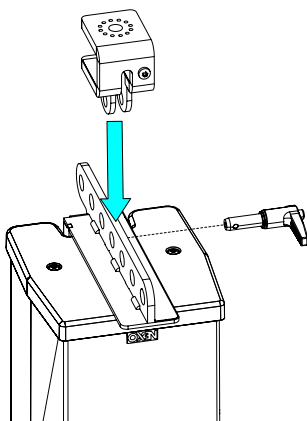
Tight properly on ID84



Hole	1 element	2 elements	3 elements	4 elements
A	13°	6.5°	4.6°	3.8°
B	9°	4.7°	3.3°	2.4°
C	5.5°	2.9°	1.9°	1.6°
D	1.5°	1°	0.7°	0.1°
E	-1.7°	-0.7°	-0.3°	-0.1°
F	-5.5°	-2.7°	-1.7°	-0.4°
G	-9.4°	-4.4°	-2.8°	-0.5°

Use with VNT-LIFTADAPT (Truss Clamp Adaptor).

Use with VNI-WMADAPT and VNI-WM200



- NEXO cannot accept responsibility for accidents caused by any factor other than defects in this product itself.
- Please check the web site nexo-sa.com for the latest update.

NEXO

nexo-sa.com

ZA du Pre de la Dame Jeanne
60128 PLAILLY - France

- Read this document before using.
- Keep this document.
- Observe all warnings and cautions.

