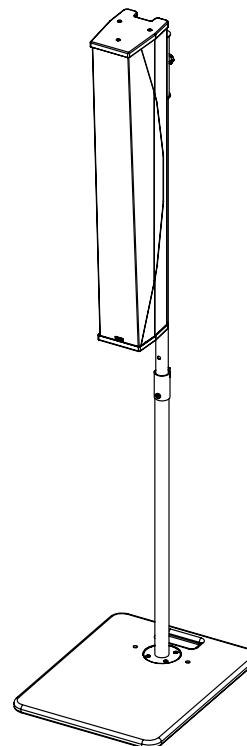
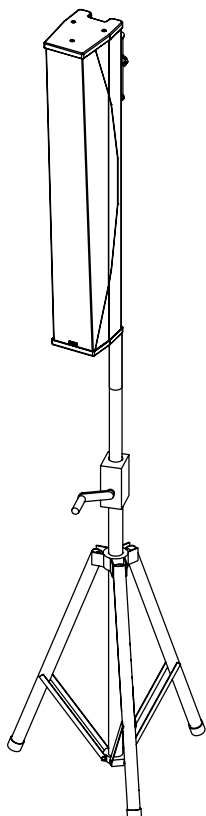
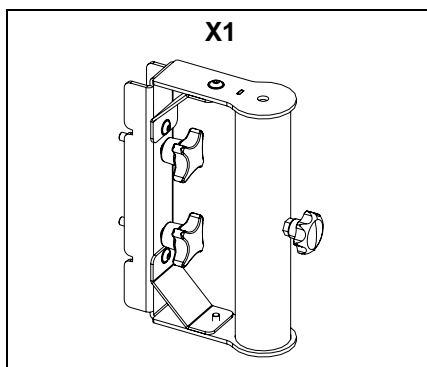


Pole mount adapter for ID84/ID84L



Contents:



Weight: 1 kg / 2.2 lb

NEXO

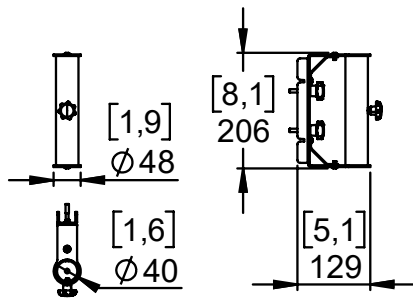
nexo-sa.com

ZA du Pre de la Dame Jeanne
60128 PLAILLY - France

- Read this document before using.
- Keep this document.
- Observe all warnings and cautions.



Dimensions:

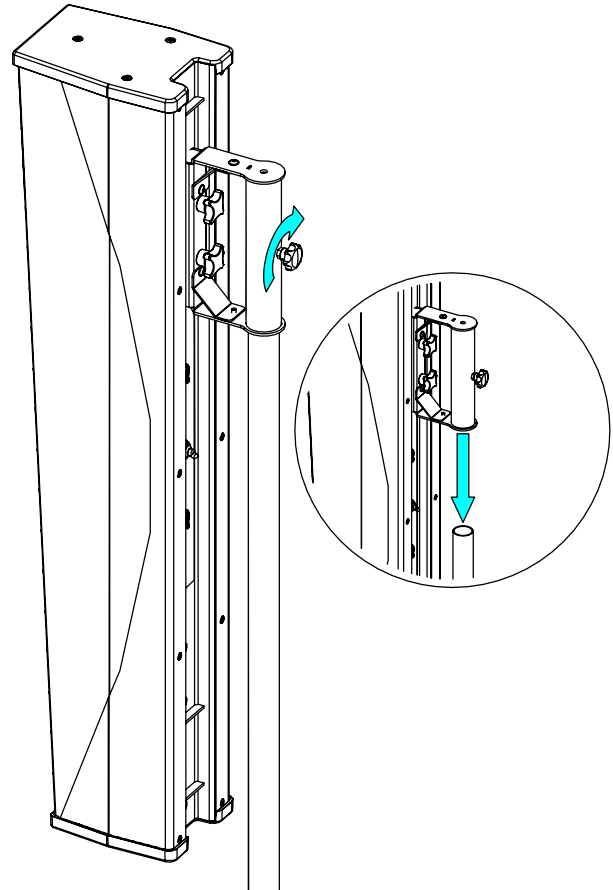
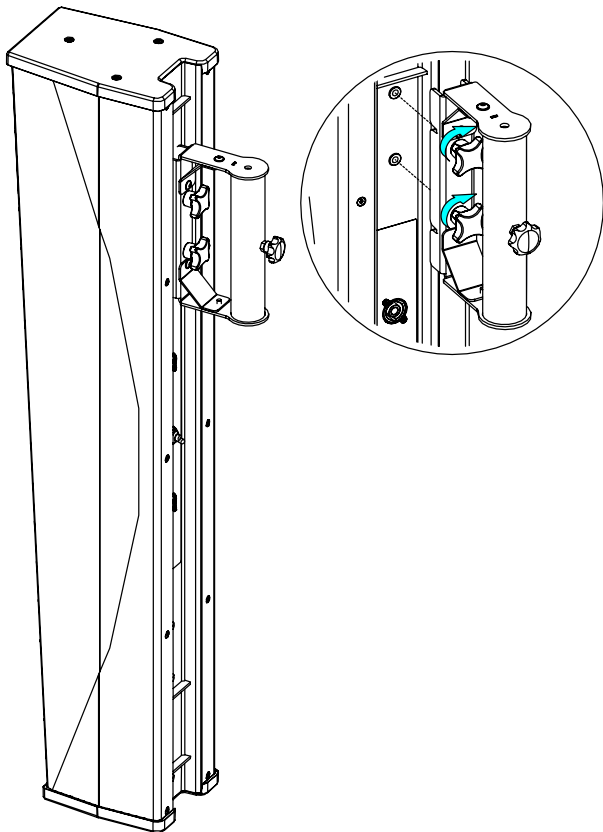


**Rated for a maximum of:
1x ID84**

Use:

Place the accessory only in the upper position of the cabinet.
Tight properly.

Place the assembly on the pole stand, tighten the knob to maintain the desired orientation.



- NEXO cannot accept responsibility for accidents caused by any factor other than defects in this product itself.
- Please check the web site nexo-sa.com for the latest update.

NEXO

nexo-sa.com
ZA du Pre de la Dame Jeanne
60128 PLAILLY - France

- Read this document before using.
- Keep this document.
- Observe all warnings and cautions.

