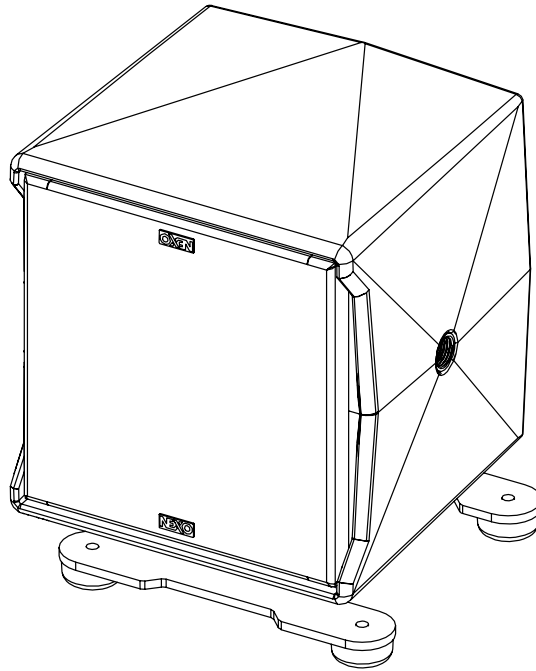
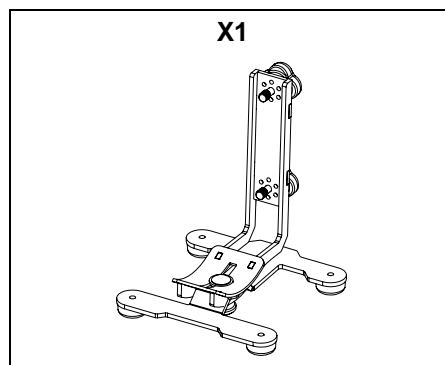


## Ground Stacking Accessory ID14



### Contents:



Weight: 0.4 kg / 0.9 lb

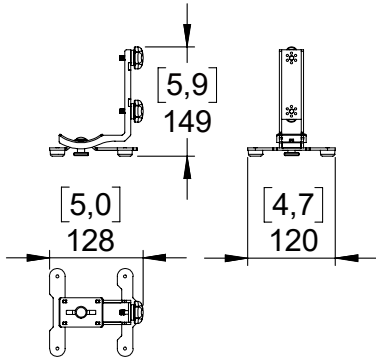


nexo-sa.com  
ZA du Pre de la Dame Jeanne  
60128 PLAILLY - France

- Read this document before using.
- Keep this document.
- Observe all warnings and cautions.

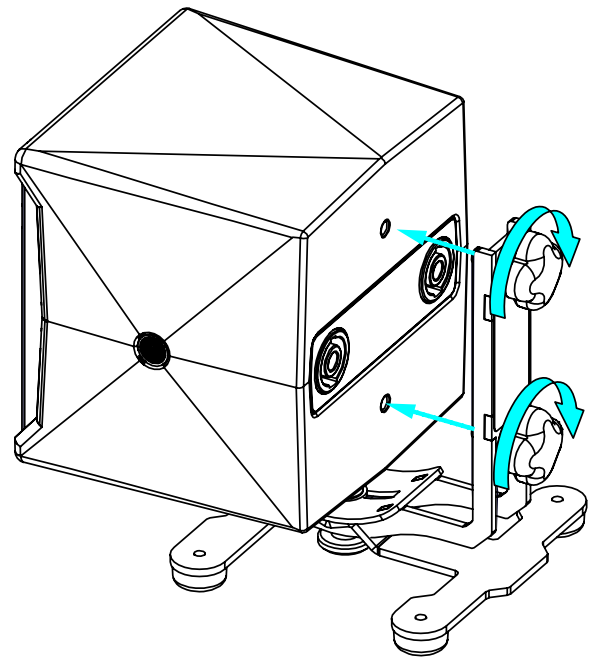


## Dimensions:



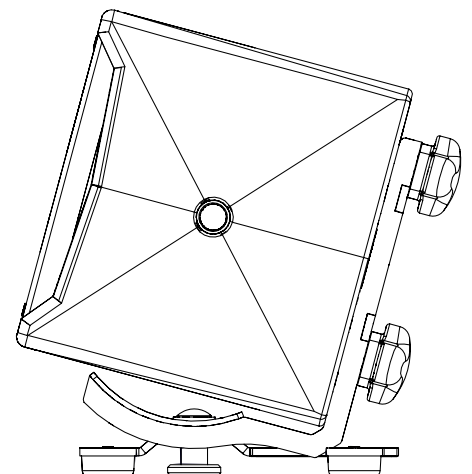
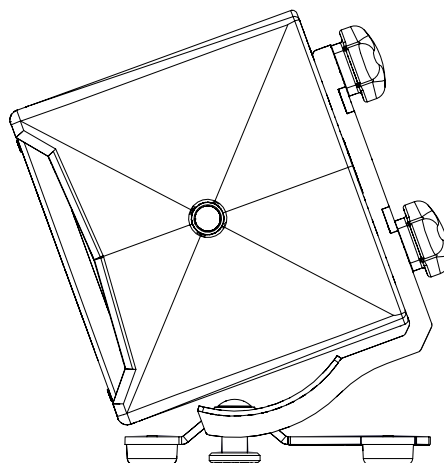
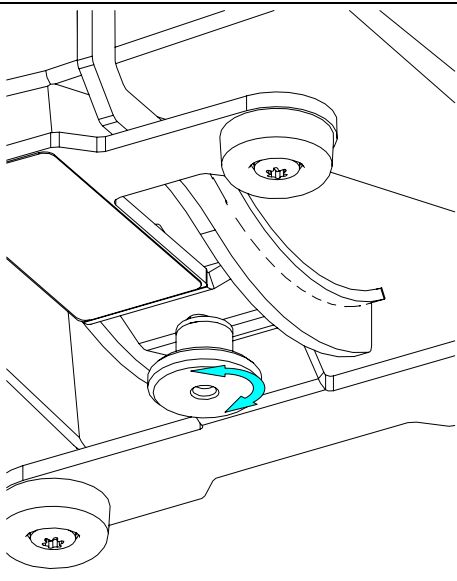
## Implementation:

Place GSTK on the rear of ID14 and tight the 2 wheels.



## Use:

Release the wheel located below GSTK to adjust the angle:  $-20^\circ$  to  $+20^\circ$



- NEXO cannot accept responsibility for accidents caused by any factor other than defects in this product itself.
- Please check the web site [nexo-sa.com](http://nexo-sa.com) for the latest update.

# NEXO

nexo-sa.com  
ZA du Pre de la Dame Jeanne  
60128 PLAILLY - France

- Read this document before using.
- Keep this document.
- Observe all warnings and cautions.

