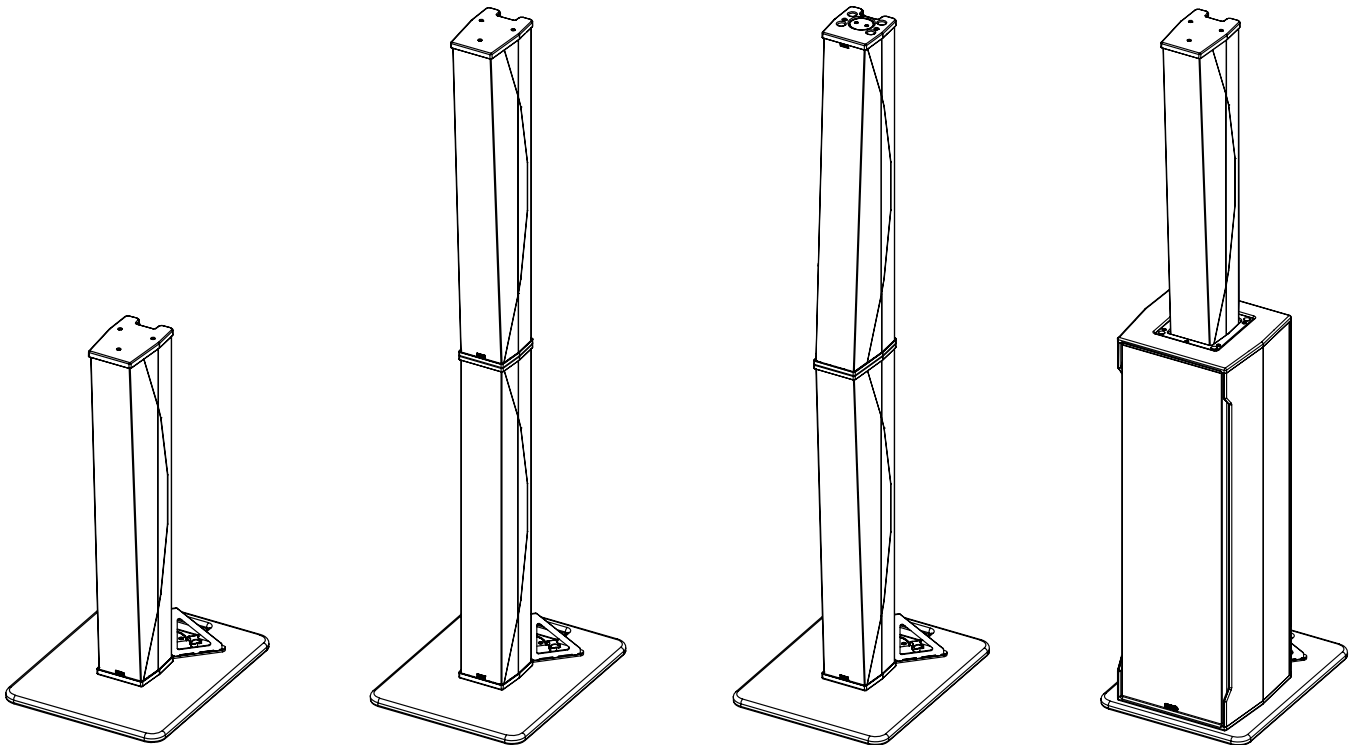
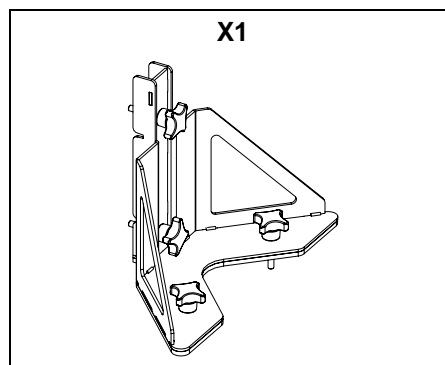


Bracket for ID84/ID84L/IDS312 to base plate VNT-BP600



Contents:



Weight: 1.8 kg / 4 lb

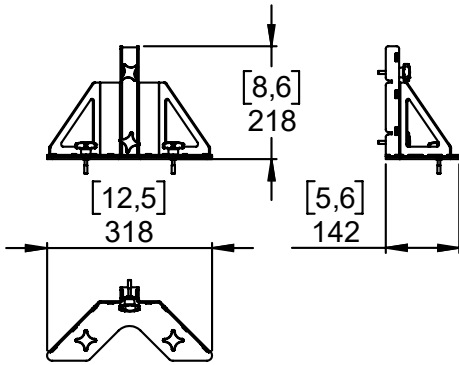


nexo-sa.com
ZA du Pre de la Dame Jeanne
60128 PLAILLY - France

- Read this document before using.
- Keep this document.
- Observe all warnings and cautions.



Dimensions:

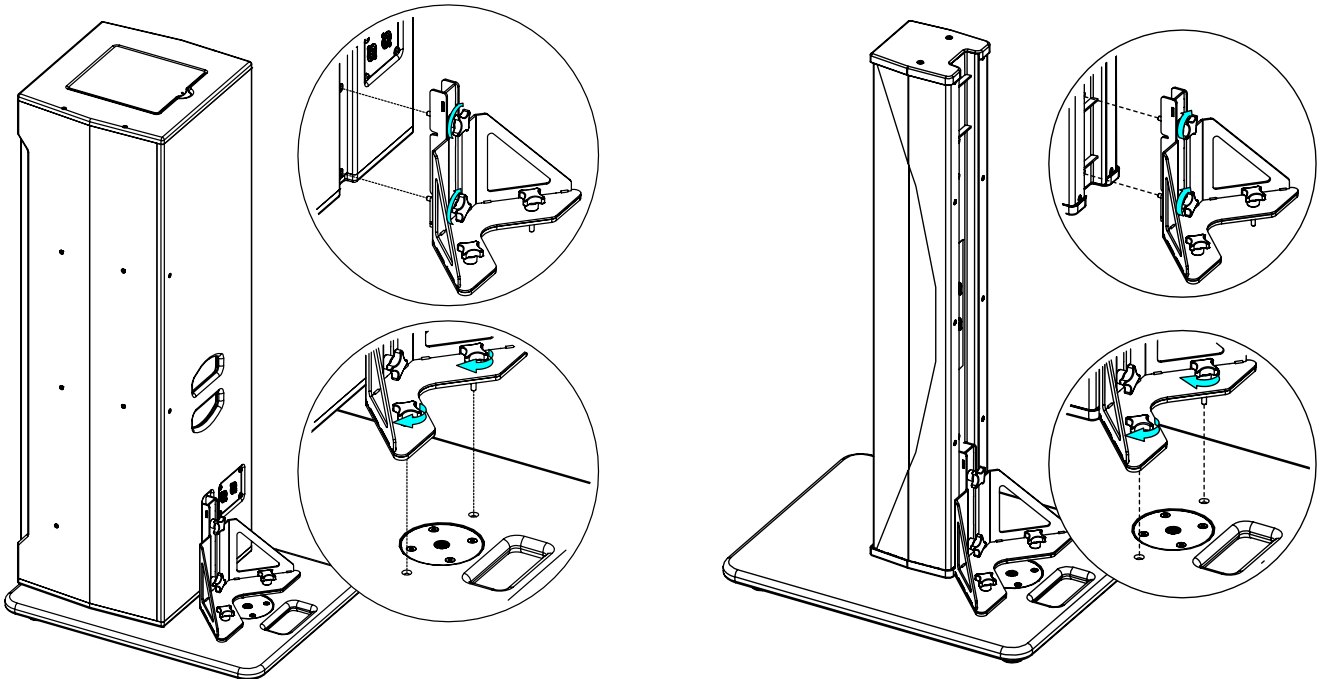


Use:

IDT-BPADAPT must be used to secure ID84/ID84L/IDS312 to the base plate VNT-BP600 with a maximum of

- 1x ID84L + 1x ID84 (with IDT-COUPPL).
- 2x ID84 (with IDT-COUPPL).
- 1x IDS312 + 1x ID84 by using quick connect on IDS312.

Attach IDT-BPADAPT to IDS312 or ID84, then place the assembly on VNT-BP600. Tighten properly.



PRECAUTIONS

Speaker must always be installed on a horizontal surface.

Ensure that audience is not allowed within a safety area which radius is equal or higher than assembly height.

- NEXO cannot accept responsibility for accidents caused by any factor other than defects in this product itself.
- Please check the web site nexo-sa.com for the latest update.

NEXO

nexo-sa.com
ZA du Pre de la Dame Jeanne
60128 PLAILLY - France

- Read this document before using.
- Keep this document.
- Observe all warnings and cautions.

